

HC-STA-B16-HLWD-BLANK-EL-AL - Housing



1420036

<https://www.phoenixcontact.com/us/products/1420036>

Please be informed that the data shown in this PDF document is generated from our online catalog. Please find the complete data in the user documentation. Our general terms of use for downloads are valid.



Sleeve housing B16, with double locking latch, material: Die-cast aluminum, salt water resistant, variable, height: 60 mm, cable gland: none, Standard, Without thread opening for screw connection

Product description

Sleeve housing, without screw thread

Your advantages

- Good shielding in the event of electromagnetic interference

Commercial data

| | |
|--------------------------------------|---------------------|
| Item number | 1420036 |
| Packing unit | 1 pc |
| Minimum order quantity | 1 pc |
| Sales key | BF56 |
| Product key | BF7APB |
| Catalog page | Page 628 (C-2-2019) |
| GTIN | 4055626201405 |
| Weight per piece (including packing) | 232.3 g |
| Weight per piece (excluding packing) | 232.2 g |
| Customs tariff number | 85389099 |
| Country of origin | CN |

HC-STA-B16-HLWD-BLANK-EL-AL - Housing



1420036

<https://www.phoenixcontact.com/us/products/1420036>

Technical data

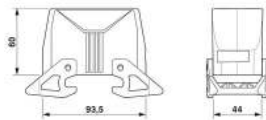
Notes

| | |
|---------|------------------------------------------------------------------------------------------|
| General | For contact inserts HC-B16, BB32, D40, DD72, HS6, HV6, M, K |
| General | also available as a powder-coated or color version: 1373193 HC-STA-B16-HLWD-BLANK-EL/... |

Product properties

| | |
|---------------------|----------------------------|
| Type | B16 |
| Product type | Housing with locking latch |
| Application | Standard |
| Housing type | Sleeve housing |
| Cable outlet | variable |
| Pg screw connection | none |

Dimensions

| | |
|---------------------|--------------------------------------------------------------------------------------|
| Dimensional drawing |  |
| Width | 44 mm |
| Height | 60 mm |
| Length | 93.5 mm |

Material specifications

| | |
|----------------------------------------|-----------------------------------------|
| Flammability rating according to UL 94 | V0 (Interlock) |
| Housing surface material | uncoated |
| Locking latch material | PA |
| Impact strength | IK09 |
| Housing material | Die-cast aluminum, salt water resistant |

Mechanical properties

Mechanical data

| | |
|--------------|-------|
| Locking type | Latch |
|--------------|-------|

Environmental and real-life conditions

Ambient conditions

| | |
|-----------------------------|-------------|
| Degree of protection | IP66 |
| | IP67 |
| Degree of protection (NEMA) | 4 (UL 50e) |
| | 4X (UL 50e) |
| | 12 (UL 50e) |

HC-STA-B16-HLWD-BLANK-EL-AL - Housing



1420036

<https://www.phoenixcontact.com/us/products/1420036>

| | |
|---------------------------------|-------------------|
| Impact strength | IK09 |
| Ambient temperature (operation) | -40 °C ... 125 °C |

HC-STA-B16-HLWD-BLANK-EL-AL - Housing

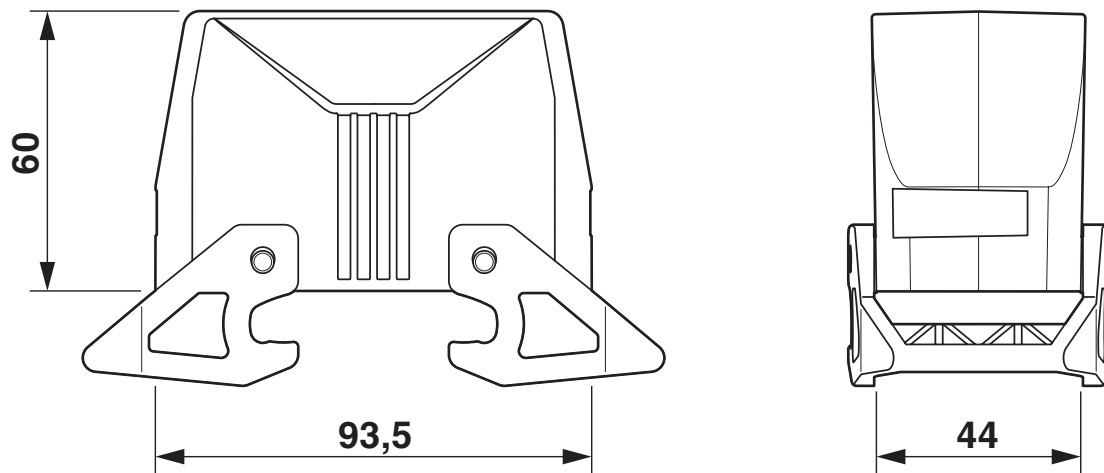
1420036

<https://www.phoenixcontact.com/us/products/1420036>



Drawings

Dimensional drawing



Dimensional drawing

HC-STA-B16-HLWD-BLANK-EL-AL - Housing



1420036

<https://www.phoenixcontact.com/us/products/1420036>

Approvals

🔗 To download certificates, visit the product detail page: <https://www.phoenixcontact.com/us/products/1420036>

DNV

Approval ID: TAE000037S



EAC

Approval ID: RU C-DE.AI30.B.01102



EAC

Approval ID: RU C-DE.BL08.B.00511

HC-STA-B16-HLWD-BLANK-EL-AL - Housing



1420036

<https://www.phoenixcontact.com/us/products/1420036>

Classifications

ECLASS

| | |
|-------------|----------|
| ECLASS-11.0 | 27440202 |
| ECLASS-12.0 | 27440202 |
| ECLASS-13.0 | 27440202 |

ETIM

| | |
|----------|----------|
| ETIM 8.0 | EC000437 |
|----------|----------|

UNSPSC

| | |
|-------------|----------|
| UNSPSC 21.0 | 31261500 |
|-------------|----------|

HC-STA-B16-HLWD-BLANK-EL-AL - Housing



1420036

<https://www.phoenixcontact.com/us/products/1420036>

Environmental product compliance

| | |
|------------|---------------------------------------------------------|
| China RoHS | Environmentally friendly use period: unlimited = EFUP-e |
| | No hazardous substances above threshold values |

HC-STA-B16-HLWD-BLANK-EL-AL - Housing



1420036

<https://www.phoenixcontact.com/us/products/1420036>

Accessories

US-EMLP (20X9) CUS - Plastic label

0830085

<https://www.phoenixcontact.com/us/products/0830085>

Plastic label, can be ordered: by card, white, labeled according to customer specifications, mounting type: adhesive, lettering field size: 20 x 9 mm, Number of individual labels: 75



HC-B16-HCFD-PR-BK - Protective cover

1346543

<https://www.phoenixcontact.com/us/products/1346543>

Protective cover B16, for double locking latch, protective cover material: PC, height: 26.4 mm, seal: yes



HC-STA-B16-HLWD-BLANK-EL-AL - Housing



1420036

<https://www.phoenixcontact.com/us/products/1420036>

US-EMLP-HA (20X9) - Plastic label

0830989

<https://www.phoenixcontact.com/us/products/0830989>



Plastic label, Card, white, unlabeled, can be labeled with: BLUEMARK ID COLOR, BLUEMARK ID, THERMOMARK PRIME, THERMOMARK CARD 2.0, THERMOMARK CARD, mounting type: adhesive, lettering field size: 20 x 9 mm, Number of individual labels: 70

Phoenix Contact 2023 © - all rights reserved

<https://www.phoenixcontact.com>

Phoenix Contact USA
586 Fulling Mill Road
Middletown, PA 17057, United States
(+717) 944-1300
info@phoenixcon.com