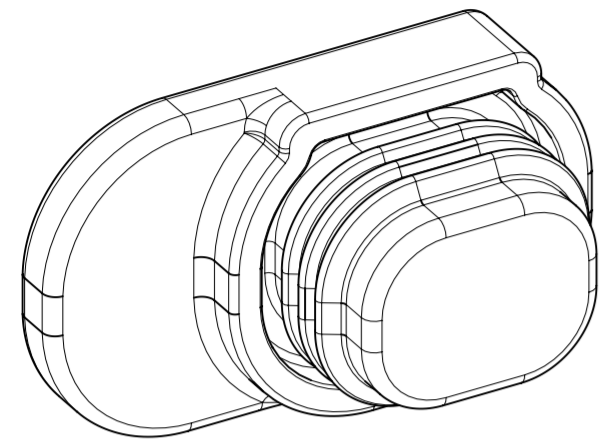
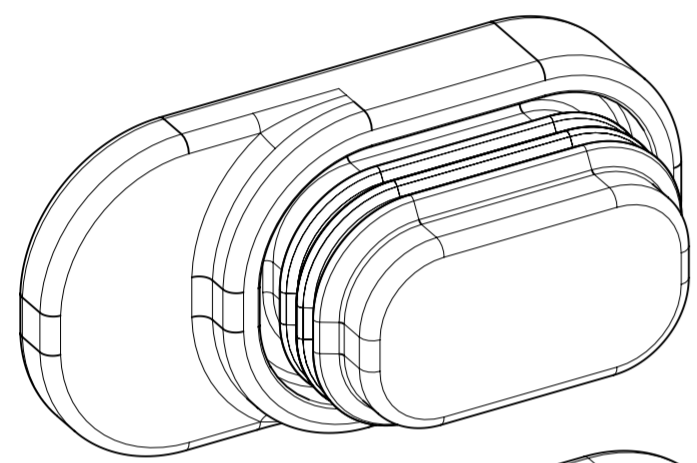


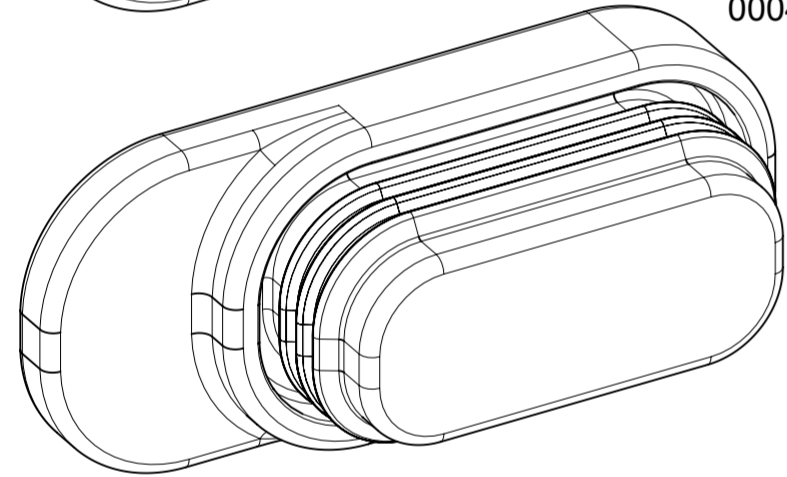
CONFIGURATIONS
220423-XXXX
SCALE 4:1



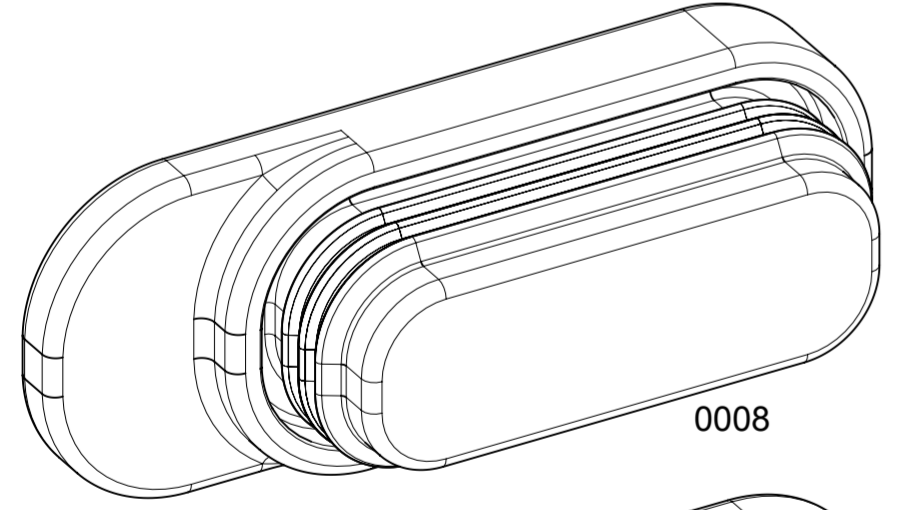
0002



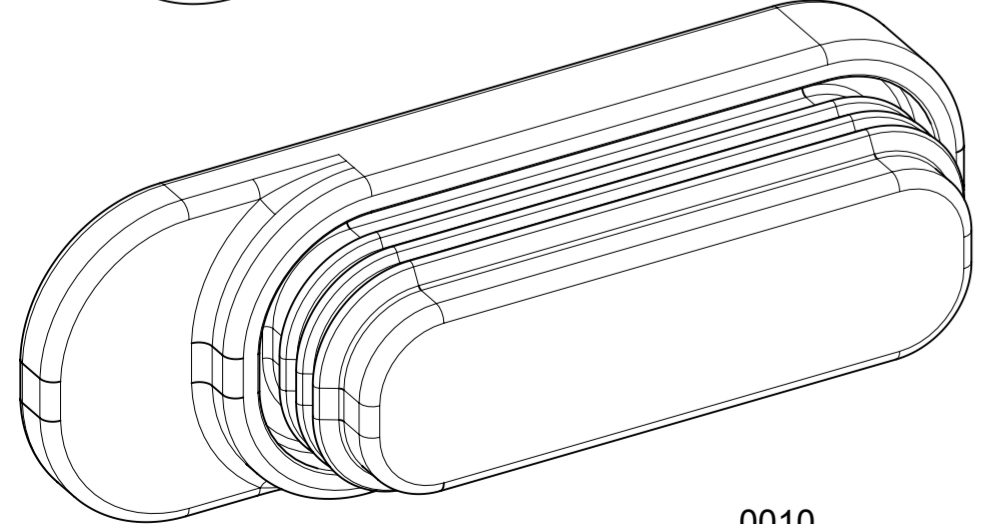
0004



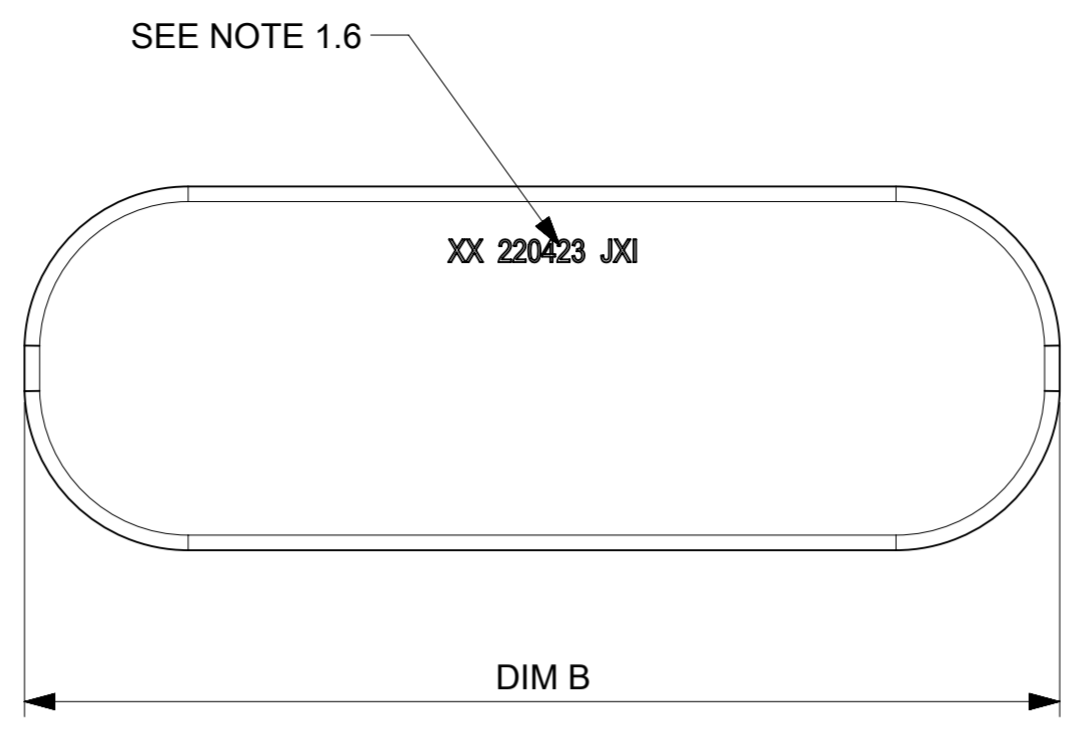
0006



0008



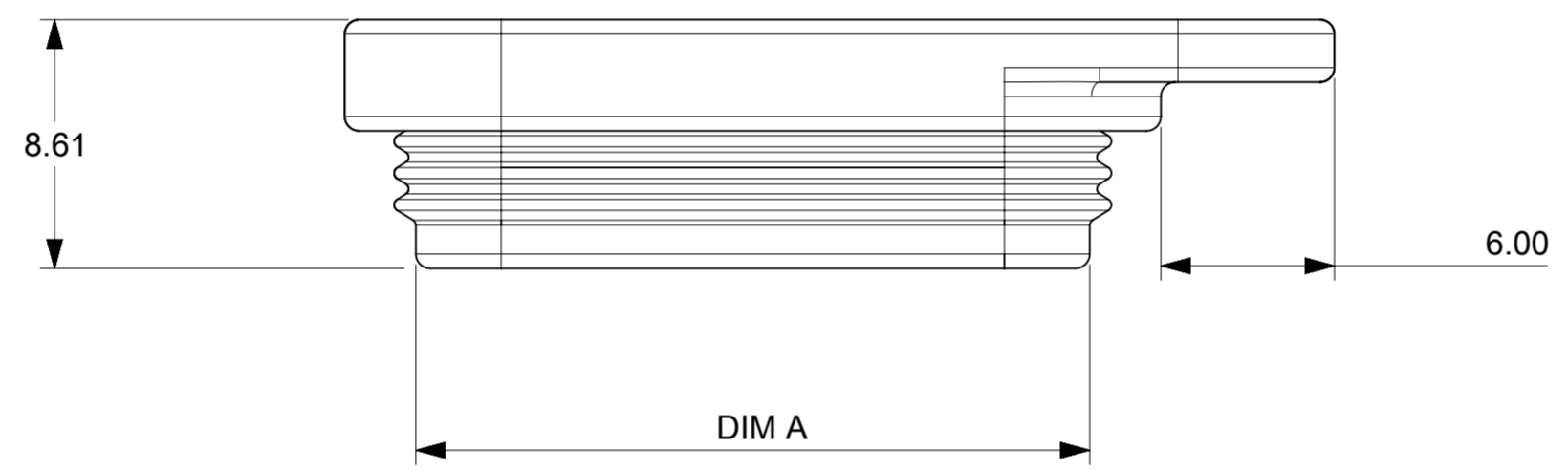
0010



SEE NOTE 1.6

XX 220423 JXI

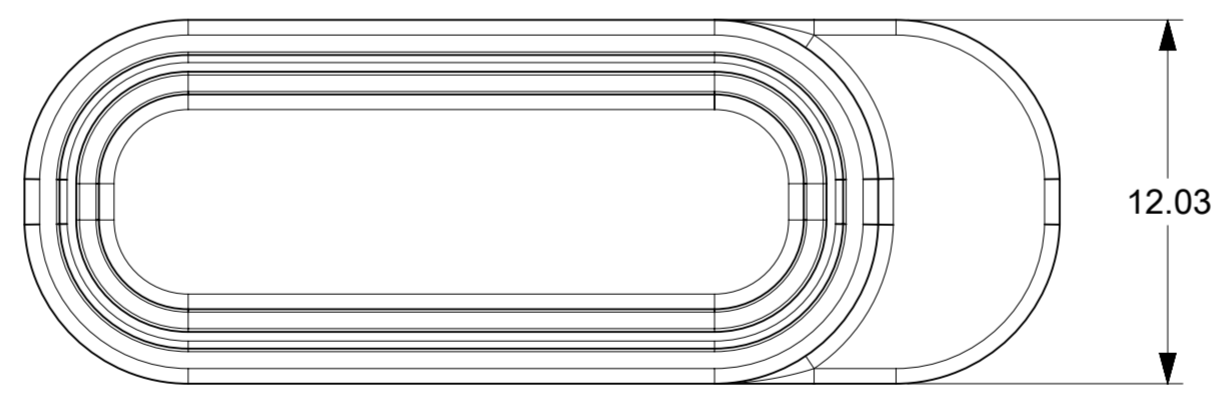
DIM B



8.61

DIM A

6.00



12.03

1. GENERAL:
 1.1 PRODUCT SPECIFICATION: 2042200000-PS/2077760000-PS
 1.2 APPLICATION SPECIFICATION: 2042200000-AS/2077760000-AS
 1.3 TEST SUMMARY: 2042200000-TS
 1.4 PACKAGING SPECIFICATION: 2204230000-PK
 1.5 COSMETIC SPECIFICATION: PS-45499-002 CLASS C
 1.6 MATES WITH: 204223, 207778 (SEE TABLE)
 1.7 TEXT ON PART IS FOR REFERENCE ONLY. TEXT AND TEXT LOCATION MAY VARY.
2. DESIGN - MATERIALS:
 2.1 MATERIAL: THERMOPLASTIC ELASTOMER COLOR: BLACK

PART NUMBER	DIM A	DIM B	SQUBA 1.8	SQUBA 3.6
2204230002	8.90	19.82	2 CIRCUIT PLUG	-
2204230004	12.50	23.42	4 CIRCUIT PLUG	2 CIRCUIT PLUG
2204230006	16.10	27.02	6 CIRCUIT PLUG	3 CIRCUIT PLUG
2204230008	19.70	30.62	8 CIRCUIT PLUG	4 CIRCUIT PLUG
2204230010	23.30	34.22	10 CIRCUIT PLUG	-

FUNCTIONAL SYMBOLS $\nabla_A = 0$ $\nabla_C = 0$ $\nabla_P = 0$ DIVISIONAL SYMBOLS	THIS DRAWING CONTAINS INFORMATION THAT IS PROPRIETARY TO MOLEX ELECTRONIC TECHNOLOGIES, LLC AND SHOULD NOT BE USED WITHOUT WRITTEN PERMISSION		CURRENT REV DESC:		 SQUBA PLUG WEATHER CAP PRODUCT CUSTOMER DRAWING
	DIMENSION UNITS	SCALE	EC NO: 732935		
	mm	4:1	DRWN: VENKAS5	2022/07/05	
	GENERAL TOLERANCES (UNLESS SPECIFIED)		CHK'D: VENKAS5	2022/12/21	
ANGULAR TOL ± °		APPR: MRAMAKRISHNA	2022/12/22	DOCUMENT NUMBER	
4 PLACES ±		INITIAL REVISION:		2204230000-SD	
3 PLACES ±		DRWN: VENKAS5		DOC TYPE	DOC PART
2 PLACES ± 0.25		APPR: MRAMAKRISHNA		PSD	000
1 PLACE ±		2022/12/22		REVISION	
0 PLACES ±		2022/12/22		A	
DRAFT WHERE APPLICABLE MUST REMAIN WITHIN DIMENSIONS		THIRD ANGLE PROJECTION	DRAWING	SERIES	MATERIAL NUMBER
			A2-SIZE	220423	SEE NOTES
					CUSTOMER
					GENERAL MARKET
					SHEET NUMBER
					1 OF 1