

## CTRJPPS5GF Series

### CHARACTERISTICS

**Description:** 5G Base-T integrated RJ45 jack, single port, PoE & PoE+, Tab Up

**Applications:** Telecom equipment, HUB, wireless router station, VoIP device, video camera

**Operating Temperature:** 0°C to 70°C

**Features:**

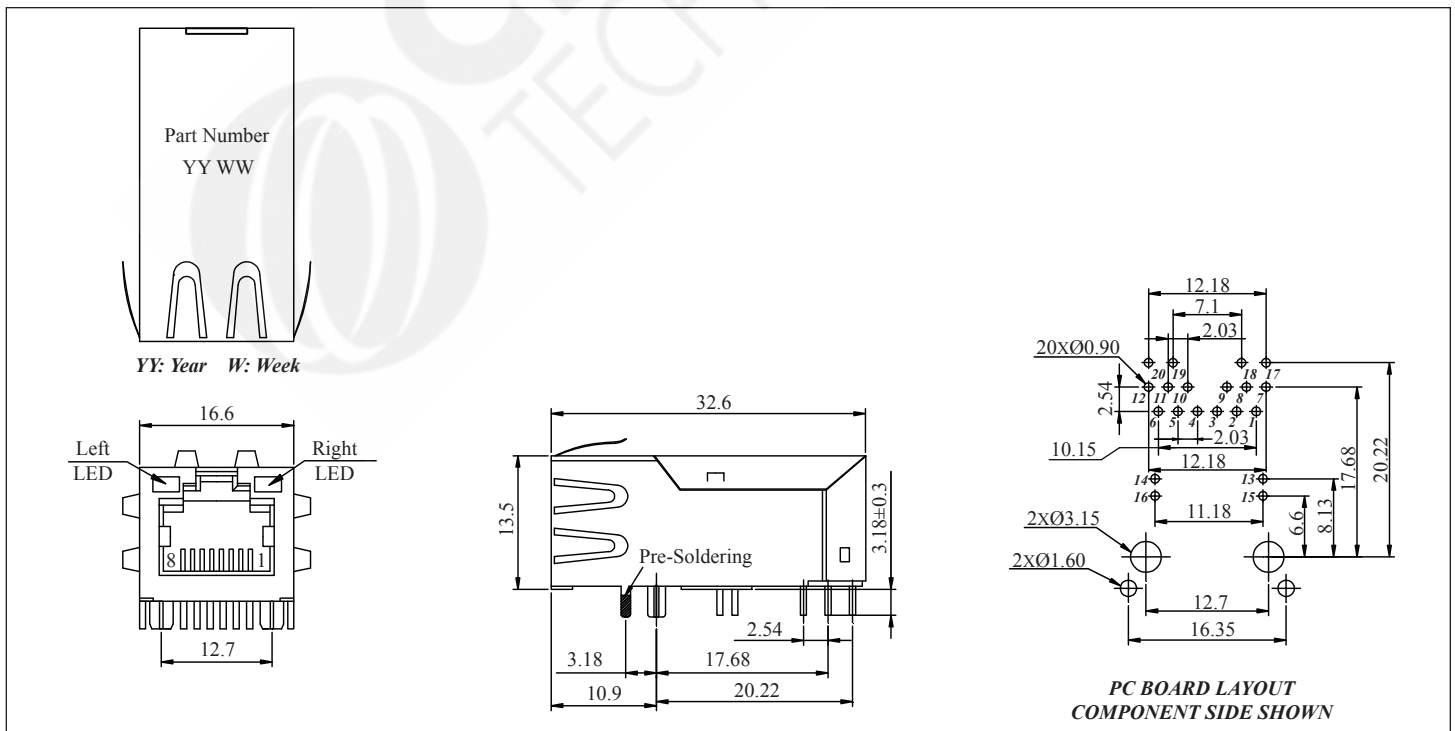
- 1x1 Tab-Up, 1" long RJ45 with internal magnetics
- 16pin signal pin versions available
- Available with LEDs
- Suitable for CAT 5 & 6 fast ethernet cable or better UTP
- Internal magnetics are 100% electrically tested for Hi-Pot and functionality
- Meet IEEE 802.3af standards with 350mA
- Meet IEEE 802.3at standards with 720mA
- Custom solutions available



### SPECIFICATIONS

PART NUMBER	Turns Ratio (±3%)	LEDs	Insertion Loss (dB Max.)		Return Loss (dB Min.)		Crosstalk (dB Typ.)		CDMR (dB Typ.)	CMR (dB Typ.)	POE Current	Hipot (Vrms) @60Hz
			1-125 MHz	125-250 MHz	1-40 MHz	40-250 MHz	1-125 MHz	125-250 MHz				
CTRJPPS5GF-GD350	1CT:1CT	G & Y/G	-1.0	-1.5	-20	-20+15log <sub>10</sub> (f/40MHz)	-30	-25	-45+f/35dB	-30	350mA	1500
CTRJPPS5GF-GD720	1CT:1CT	G & Y/G	-1.0	-1.5	-20	-20+15log <sub>10</sub> (f/40MHz)	-30	-25	-45+f/35dB	-30	720mA	1500

### PHYSICAL DIMENSIONS & PAD LAYOUT



Unit: mm Tolerances: Unless otherwise specified, all tolerances are ±0.25

## CTRJPPS5GF

### SCHEMATICS

