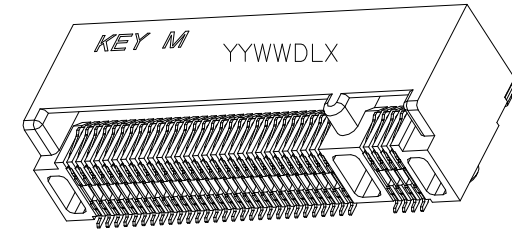
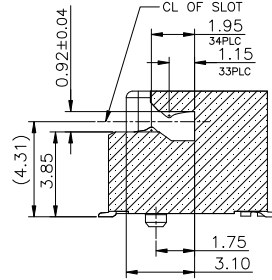
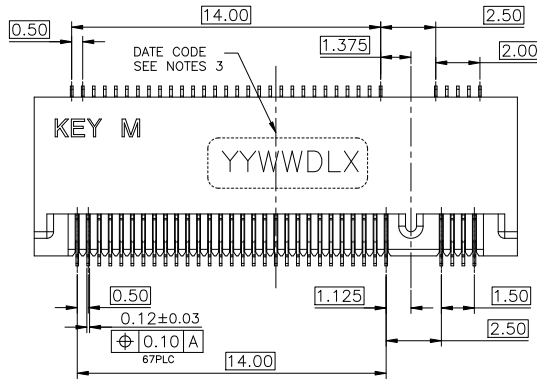


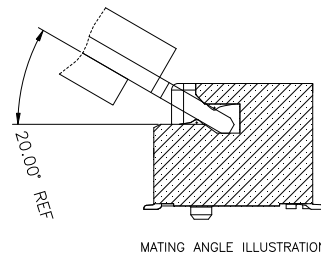
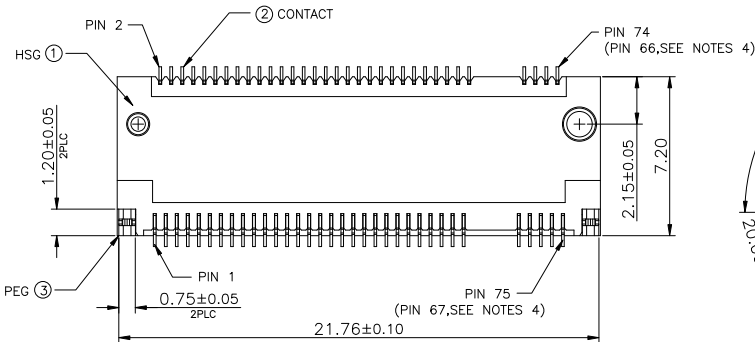
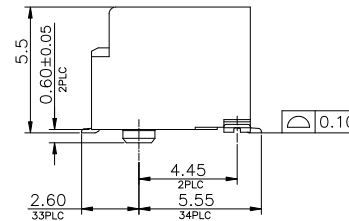
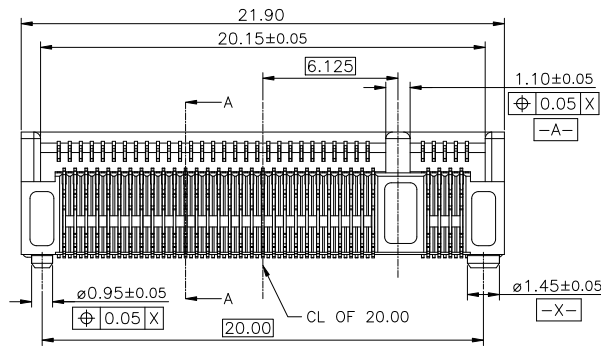
HF
Halogen Free



NOTES:

1. MATERIAL:
 - 1.1 HOUSING:HIGH TEMPERATURE THERMOPLASTIC,UL94V-0,COLOR:BLACK.
 - 1.2. CONTACT:COPPER ALLOY.
 - 1.3. SOLDER PEG:STAINLESS STEEL.
2. FINISH:
 - 2.1 CONTACT:
 - UNDERPLATING NICKEL 50u" MIN OVERALL
 - MATING AREA:GOLD PLATING,THICKNESS SEE TABLE
 - SOLDER AREA:GOLD FLASH 1u"MIN.
 - 2.2 SOLDER PEG:
 - UNDERPLATING NICKEL 50u" MIN OVERALL
 - 80u"MIN MATTE TIN ON SURFACE
3. DATE CODE : YYWDLX
 - YY: YEAR (09: 2009)
 - WW: WEEK (25: THE 25TH WEEK)
 - D: DAY (1~7: SUNDAY~SATURDAY)
 - L: LINE NUMBER OF ASSEMBLY (A: LINE A)
 - X: D OR N (D: DAY; N: NIGHT)
4. CONNECTOR ACTUAL PIN QUANTITY IS 67, AS THE KEY TAKING OUT 8 PINS.
5. PRODUCT SPECIFICATION SEE FCI GS-12-1195
6. PART NUMBER DESCRIPTION:
 - 10128798-00XRLF

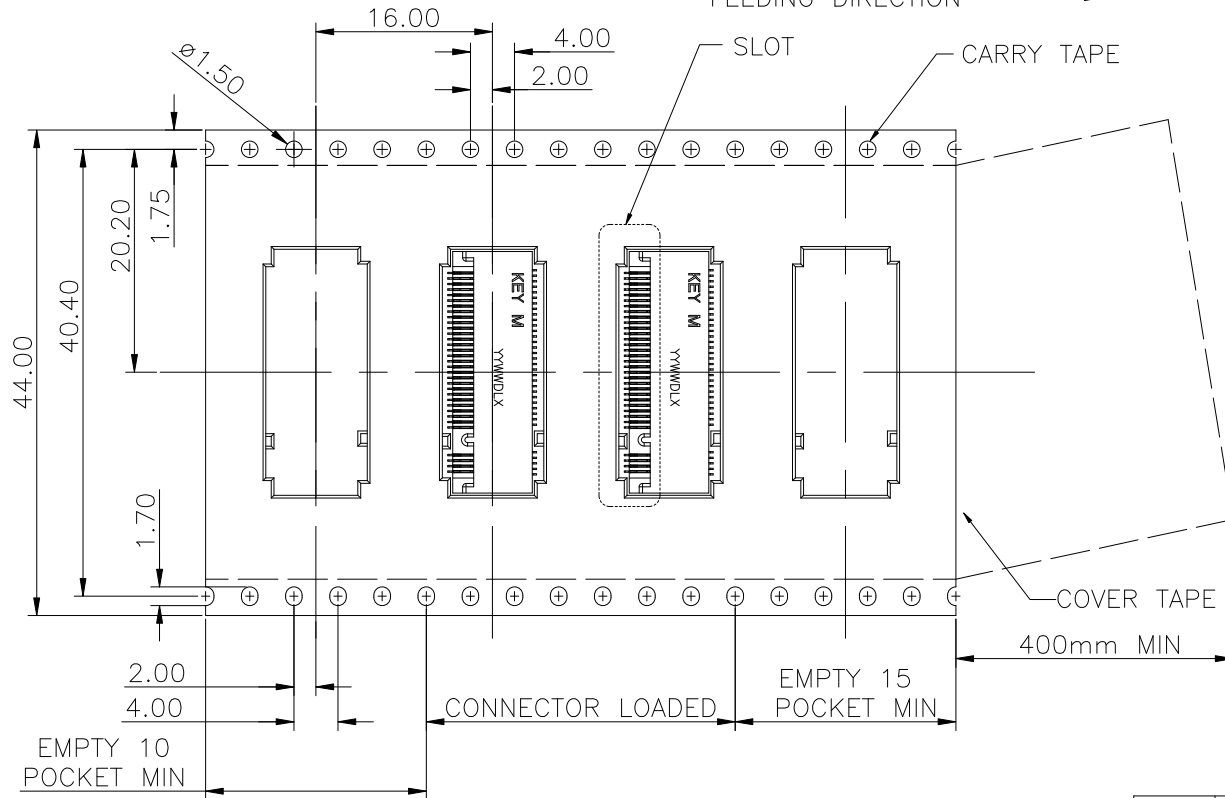
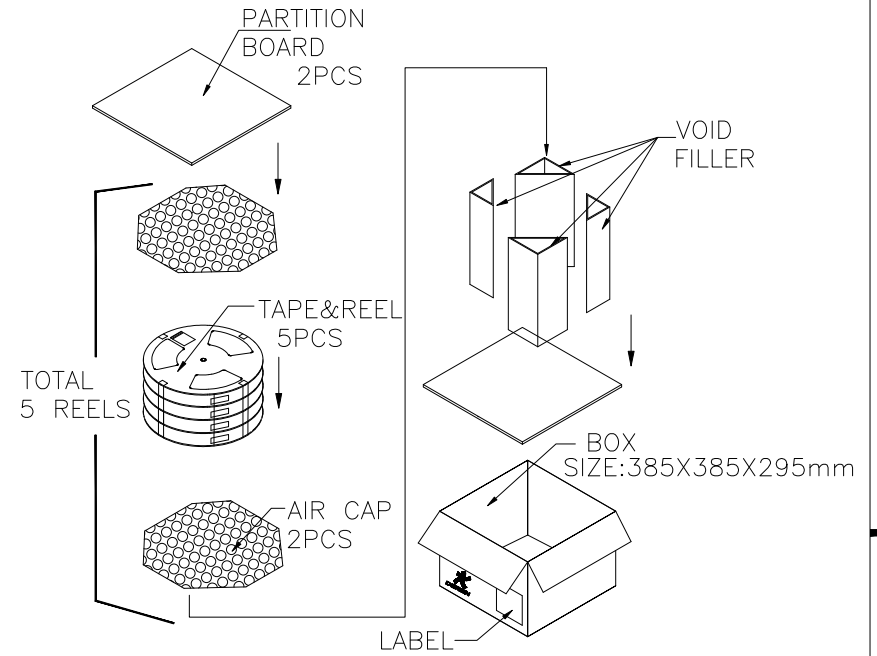
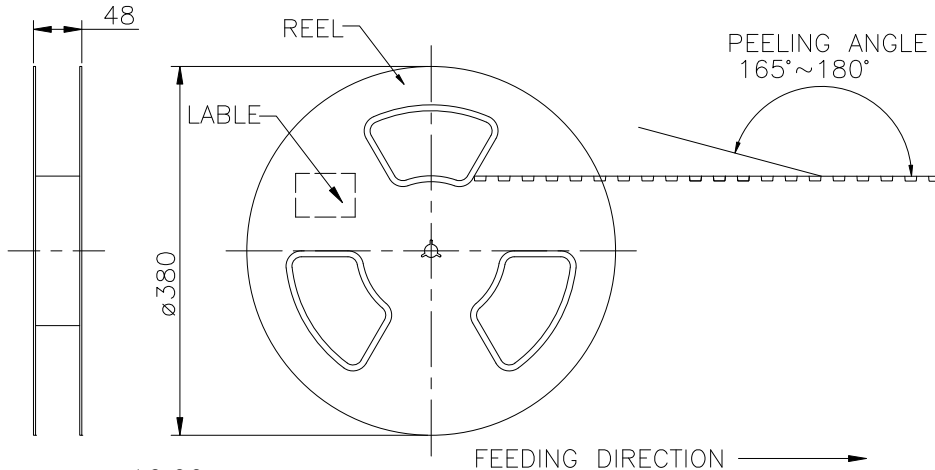
- LF:LEAD FREE & RoHS COMPLIANCE
- PACKAGE CODE:
 - R: TAPE & REEL PACKING
- PLATING CODE:
 - 1: GOLD FLASH ON CONTACT AREA
 - 4: 15u"Min GOLD ON CONTACT AREA
 - 5: 30u"Min GOLD ON CONTACT AREA



30u" Au	10128798-005RLF
15u" Au	10128798-004RLF
GOLD FLASH	10128798-001RLF
CONTACT AREA	FCI P/N

mat'l. code		surface	tolerance	projection	product family
ltr	ecn no	dr	date	tolerances unless otherwise specified	
A		TAI	2015-03-20	mm	title
				scale	M.2 CONNECTOR 5.50H_STD_KEY M
					sheet 1 of 3
					size A4
					sheet 1 of 3
					10128798
					Customer Drawing
sheet index	revision sheet	A	A	A	
		1	2	3	

HF
Halogen Free



900	5	4500	9.06Kg	4.86Kg
PCS/ REEL	REELS/ BOX	PCS/BOX	GROSS WEIGHT	NET WEIGHT

	dwg no	sheet 3 of 3	size
	10128798		A4
	type Customer Drawing		

sheet index	revision sheet	A	A	A														
		1	2	3														