

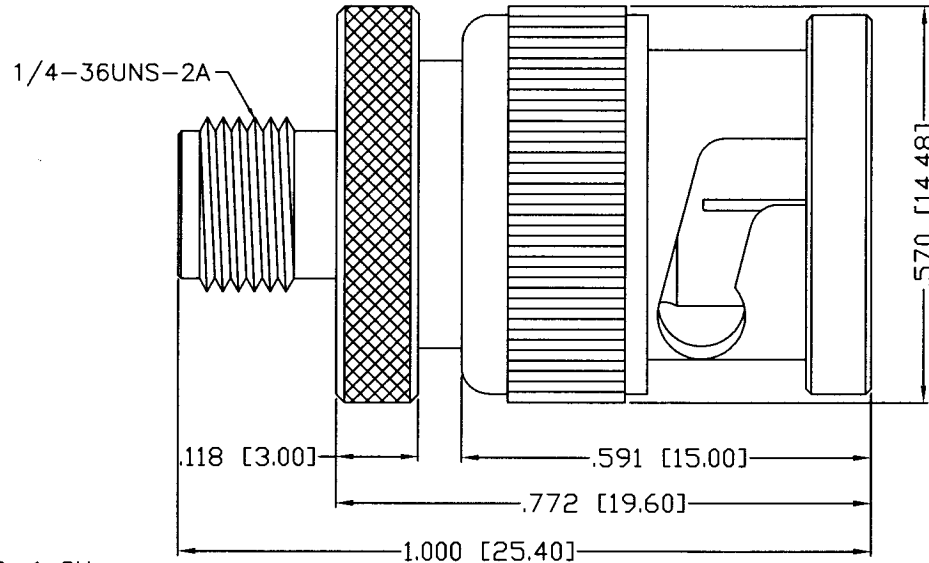
THIS DRAWING CONTAINS INFORMATION PROPRIETARY TO RF INDUSTRIES.  
 ANY UNAUTHORIZED USE OF THIS DRAWING IS EXPRESSLY PROHIBITED  
 WITHOUT WRITTEN PERMISSION FROM RF INDUSTRIES.  
 ANY VIOLATION IS PUNISHABLE UNDER U.S. COPYRIGHT LAWS.

ALL DIMENSIONS ARE REFERENCE ONLY

PART NO.

**RSA-3476-1**

REV	DESCRIPTION	DWN	DATE	APPROVED
A	ENGINEERING RELEASE	KMM	8/11/93	C. JONES
B	CHANGE PART NO. FROM RSA-2388-1 TO RSA-3476-1	WMD	8/11/93	C. JONES
C	CREATE SECTION DRAWING	KMM	10/17/93	R. RICE
D	UPDATE CONNECTOR SPEC'S	JDM	11/4/03	JDMc



**SPECIFICATIONS:**

IMPEDANCE: 50 Ohms  
 INTERFACE: Per MIL-STD-348  
 FREQUENCY RANGE: 0-4 GHz  
 VSWR: < 1.1:1 up to 4 GHz  
 INSERTION LOSS: -0.1 dB Max 0-4 GHz  
 WORKING VOLTAGE: 375 VRMS @ sea level  
 TEMPERATURE RANGE: -65°C TO 85°C  
 INSULATION RESISTANCE: 5k M Ohms min.  
 RF HIGH POTENTIAL: 675 VRMS @ 5~7.5 MHz  
 CONNECTOR DURABILITY: 500 Cycles Min.  
 CONNECTOR REPEATABILITY: IL < -0.2 dB

1	BODY	1	BRASS	GOLD, 3 MICRO
2	INSULATOR	1	PTFE	---
3	CONTACT	1	P. B.	GOLD, 3 MICRO
4	WASHER	1	BRASS	GOLD, 3 MICRO
5	SPRING	1	SK5	NICKEL, 100 MICRO
6	RETAINING RING	1	BRASS	NICKEL, 100 MICRO
7	GASKET	1	RUBBER	RED
8	COUPLING NUT	1	BRASS	GOLD, 3 MICRO
9				
10				
11				
12				
13				
14				
#	DESCRIPTION	QTY	MATRL	FINISH

008974	
DRAWN	
JDMc	11/4/03
CHECKED	JDMc 11-4-03
ORJ DRAWN	
C. ZUNIGA	3/7/01
APPROVALS	DATE

UNLESS OTHERWISE SPECIFIED:

- REMOVE ALL BURRS
- BREAK ALL CORNERS & EDGES .005 R. MAX.
- CHAMFER 1ST & LAST THREADS 45°
- SURFACE ROUGHNESS 63 FINISH MIL-STD-10
- DIAMETERS ON COMMON CENTERS TO BE CONCENTRIC WITHIN .002 T.I.R.
- ALL DIMENSIONS ARE AFTER PLATING.

DIMENSIONS ARE IN INCHES AND [MILLIMETERS]  
 UNLESS OTHERWISE NOTED TOLERANCES ARE:

DECIMALS	DIAMETER
.xxx±.003 [.08]	.xxx±.001 [.03]
.xx±.005 [.13]	.xx±.003 [.08]

RF

7610 MIRAMAR RD  
 SAN DIEGO, CA 92126  
 (858) 549-6340  
 (858) 549-6345 FAX

DIVISION OF RF INDUSTRIES, LTD.

## SMA JACK TO BNC PLUG, ADAPTOR

SIZE	CABLE GROUP	DWG NO.	REV
A	N/A	RSA-3476-1	D

SCALE: NTS      CAD FILE OUTLINE      SHEET 1 OF 1