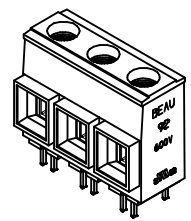
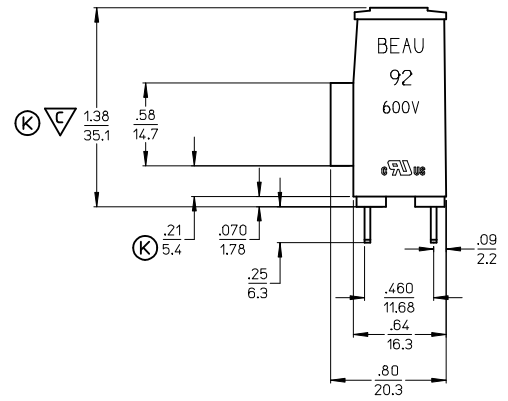
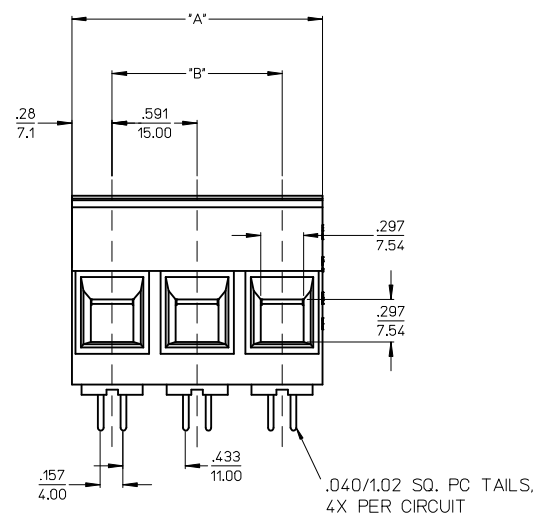
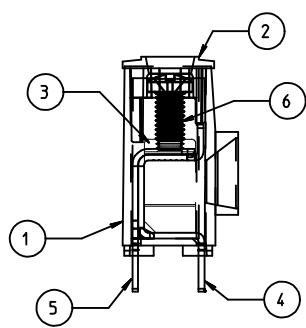
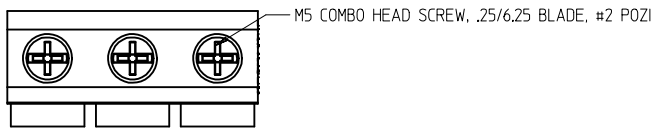
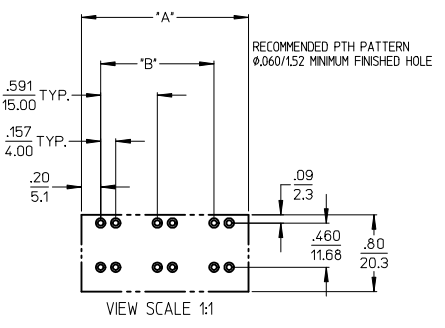


MATERIAL NO. -56 OPTION	ENGINEERING NUMBER	NUMBER OF CIRCUITS	DIM "A" 010/13	DIM "B"
399200502	920502-56	02	1.150/29.21	.591/15.91
399200503	920503-56	03	1.740/44.20	1.181/30.00
399200504	920504-56	04	2.330/59.18	1.772/45.01
399200505	920505-56	05	2.920/74.17	2.362/59.99
399200506	920506-56	06	3.510/89.15	2.953/75.01
399200507	920507-56	07	4.100/104.14	3.543/89.99
399200508	920508-56	08	4.690/119.13	4.134/105.00
399200509	920509-56	09	5.280/134.11	4.724/119.99
399200510	920510-56	10	5.870/149.10	5.315/135.00
399200511	920511-56	11	6.470/164.43	5.906/150.01
399200512	920512-56	12	7.060/179.32	6.496/165.00



ACTUAL SIZE



NOTES:
 1. DESIGNED TO MEET NEC & UL 1059 CLASS C 600 VOLTS
 2. "XX" REFERS TO THE NUMBER OF CIRCUIT POSITIONS.
 3. ROHS COMPLIANT BY EXEMPTION. *

ITEM	QTY.	DESCRIPTION	MATERIAL	FINISH
6	XX	SCREW, M5, #2 POZI-SLOT, ST. STEEL	S.S.	TIN
5	XX	TERMINAL	COPPER	TIN
4	XX	TERMINAL	COPPER	TIN
3	XX	CAGE *	BRASS	NICKEL
2	1	COVER	THERMOPLASTIC	BLACK
1	1	BODY	THERMOPLASTIC	BLACK

REV	DESCRIPTION
K	UPDATE DIM., ADD CTO. DIM. EC NO: IPG2013-1881 DRWN: JENCINAS 2013/09/10 CHKD: JMACNEIL 2013/09/17 APPR: JMACNEIL 2013/09/24

QUALITY SYMBOLS
 ▽=0
 ▽=1

GENERAL TOLERANCES (UNLESS SPECIFIED)

	mm	INCH
4 PLACES ±	---	±.0002
3 PLACES ±	0.003	±.005
2 PLACES ±	0.13	±.01
1 PLACE ±	0.3	±.1

ANGULAR ±1/2°

DRAFT WHERE APPLICABLE
MUST REMAIN
WITHIN DIMENSIONS

DIMENSION STYLE
IN/MM

DRAWN BY DATE
GHR 00/02/03

CHECKED BY DATE
RKEMP 00/12/11

APPROVED BY DATE
LROTHAUS 01/05/10

MATERIAL NO.
SEE CHART

SIZE
C

SCALE
4:1

DESIGN UNITS
INCH

THIRD ANGLE PROJECTION

SR, BTS, #3AWG
85A, 600V

Molex MOLEX INCORPORATED

DOCUMENT NO.
SD-39920-005

SHEET NO.
1 OF 1

THIS DRAWING CONTAINS INFORMATION THAT IS PROPRIETARY TO MOLEX INCORPORATED AND SHOULD NOT BE USED WITHOUT WRITTEN PERMISSION