

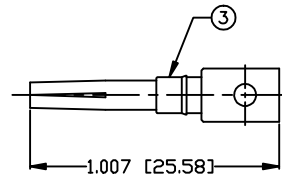
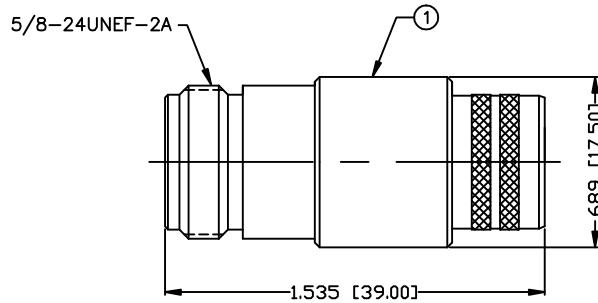
THIS DRAWING CONTAINS INFORMATION PROPRIETARY TO RF INDUSTRIES,  
 ANY UNAUTHORIZED USE OF THIS DRAWING IS EXPRESSLY PROHIBITED  
 WITHOUT WRITTEN PERMISSION FROM RF INDUSTRIES.  
 ANY VIOLATION IS PUNISHABLE UNDER U.S. COPYRIGHT LAWS.

ALL DIMENSIONS ARE REFERENCE ONLY

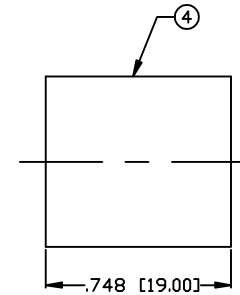
PART NO.

**RFN-1028-2L2**

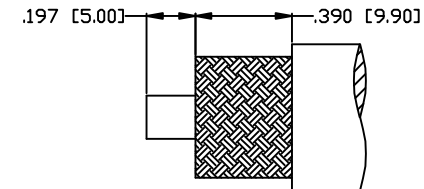
REV	DESCRIPTION	DWN	DATE	APPROVED
A	ENGINEERING RELEASE	KMM	1/30/98	R. RICE
B	CHANGE SPECS FOR SHRINK TUBING	CZS	7/7/98	R. RICE
C	CHG. FERRULE STUD, CONTACT DESIGN & STRIPING DIM	GGG	1/14/02	JDMc
D	ADDED CRIMPING NOTES/ CABLE NOTES	JDMc	10/27/04	JDMc



RECOMMENDED SOLDER  
 (OPTIONAL: USE CRIMP TOOL RFA-4005-20, CRIMP DIE: .184")



RECOMMENDED CRIMP DIE: .610"  
CRIMP TOOL RFA-4009-20



RECOMMENDED STRIPPING DIMENSIONS

SPECIFICATIONS:

IMPEDANCE: 50 Ohms  
 FREQUENCY RANGE: 0-11 GHz  
 INSERTION LOSS: .06 dB Max. X  $\sqrt{f}$  GHz  
 WORKING VOLTAGE: 1k V rms @ sea level  
 TEMPERATURE RANGE: -65°C TO 165°C  
 INSULATION RESISTANCE: 5k M Ohms min.  
 FOR TIMES LMR-600, LMR-600 ULTRAFLEX & T-COM-600, COMMSCOPE WBC-400, BELDEN 8214

1	BODY	1	BRASS	SILVER, 80 $\mu$ "	008974	
2	INSULATOR	1	PTFE	----		
3	CONTACT	1	Be-Cu	GOLD, 30 $\mu$ "		
4	FERRULE	1	BRASS	SILVER, 80 $\mu$ "		
5						
6						
7						
8						
9						
10					DRAWN	
11					JDMc	
12					CHECKED	
13						
14						
					ORJ DRAWN	
					K. MAXWELL	
					1/30/98	
#	DESCRIPTION	QTY	MATRL	FINISH	APPROVALS	DATE

UNLESS OTHERWISE SPECIFIED:  
 1. REMOVE ALL BURRS  
 2. BREAK ALL CORNERS & EDGES .005 R. MAX.  
 3. CHAMFER 1ST & LAST THREADS 45°  
 4. SURFACE ROUGHNESS 63 FINISH MIL-STD-10  
 5. DIAMETERS ON COMMON CENTERS TO BE CONCENTRIC WITHIN .002 T.I.R.  
 6. ALL DIMENSIONS ARE AFTER PLATING.

DIMENSIONS ARE IN INCHES AND [MILLIMETERS]  
 UNLESS OTHERWISE NOTED TOLERANCES ARE:  
 DECIMALS      DIAMETER  
 .xxx±.003 [.08]      .xxx±.001 [.03]  
 .xx±.005 [.13]      .xx±.003 [.08]

**RF connectors**  
 DIVISION OF RF INDUSTRIES, LTD.

7610 MIRAMAR RD  
 SAN DIEGO, CA 92126  
 (858) 549-6340  
 (858) 549-6345 FAX

**N JACK CRIMP**

SIZE	CABLE GROUP	DWG NO.	REV
A	L2	RFN-1028-2L2	D
SCALE: NTS		CAD FILE OUTLINE	SHEET 1 OF 1