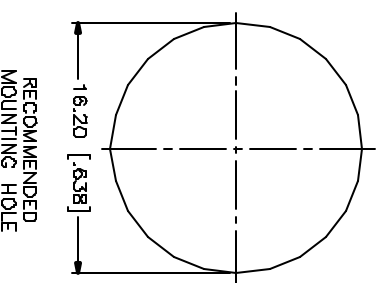
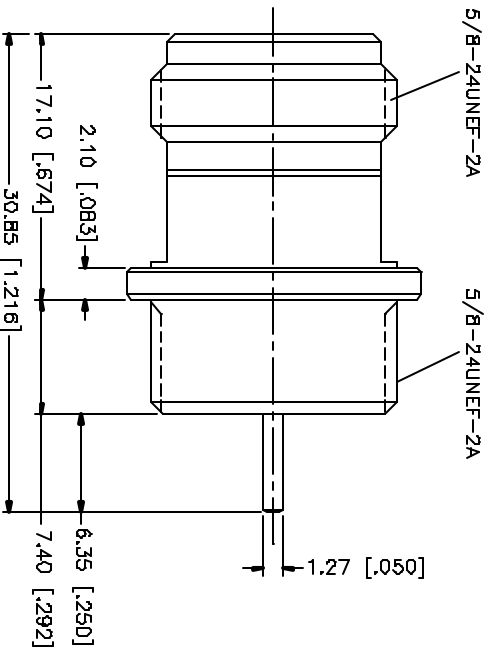
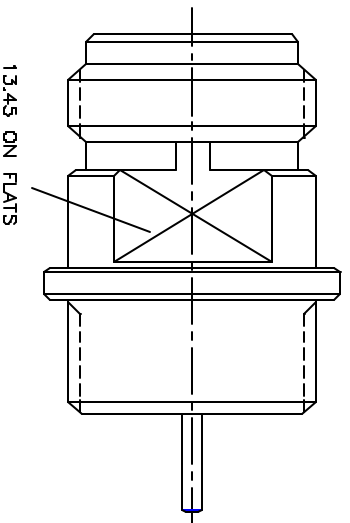


REV.	DATE	DESCRIPTION
NC	07/25/04	INITIAL RELEASE



QTY	FINISH	MATERIAL	DESCRIPTION
1	NATURAL	TEFLON	INSULATOR
1	NEOXOTE	BRASS	BODY
1	GOLD	PHOS. BRONZE	CONTACT PIN

APPROVALS	DATE
Q.R.S.	07/25/04

PART DESCRIPTION	PART NO.
N BULKHEAD RECEPTACLE JACK WITH POST	172255-12

<p>UNLESS OTHERWISE SPECIFIED DIMENSIONS ARE IN MILLIMETERS, PARENTS IN [] ARE IN INCHES AND FOR QUANTITY REFERENCES ONLY.</p> <p>UNLESS OTHERWISE SPECIFIED DIMENSIONS FOR BULKHEAD JACKS:</p> <p>0.5 - Bore \pm 0.20mm</p> <p>8 - ID \pm 0.40mm</p> <p>30 - ID \pm 0.50mm</p> <p>UNLESS OTHERWISE SPECIFIED DIMENSIONS FOR BODIES ARE:</p> <p>.020 - .310 \pm 0.007"</p> <p>.316 - 1.180 \pm 0.015"</p> <p>1.180 - 4.724 \pm 0.020"</p> <p>DO NOT SCALE DRAWING</p>	<p>DWG. NO. 172255-12.DWG</p> <p>REV. NC</p> <p>SIZE A</p> <p>SCALE NA</p>
--	--

Amphenol **Comnex**