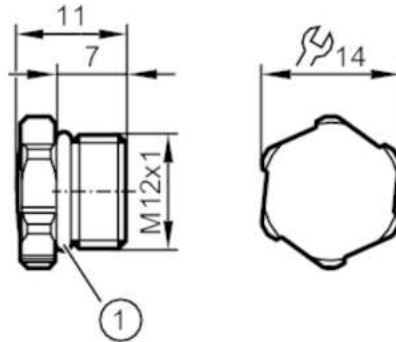


E12542



Protective cap

Protective cap M12 V4A 4pcs.



1: O-ring

Application

Design	for hygienic and wet areas in the food industry
Installation	Use only with protection class III devices

Operating conditions

Ambient temperature	[°C]	-25...100
---------------------	------	-----------

Mechanical data

Weight	[g]	27.3
Materials	end caps: stainless steel (1.4404 / 316L); Sealing: EPDM	
Tightening torque	[Nm]	0.6; (Take into account the maximum value of the counterpart!)

Remarks

Pack quantity	4 pcs.
---------------	--------