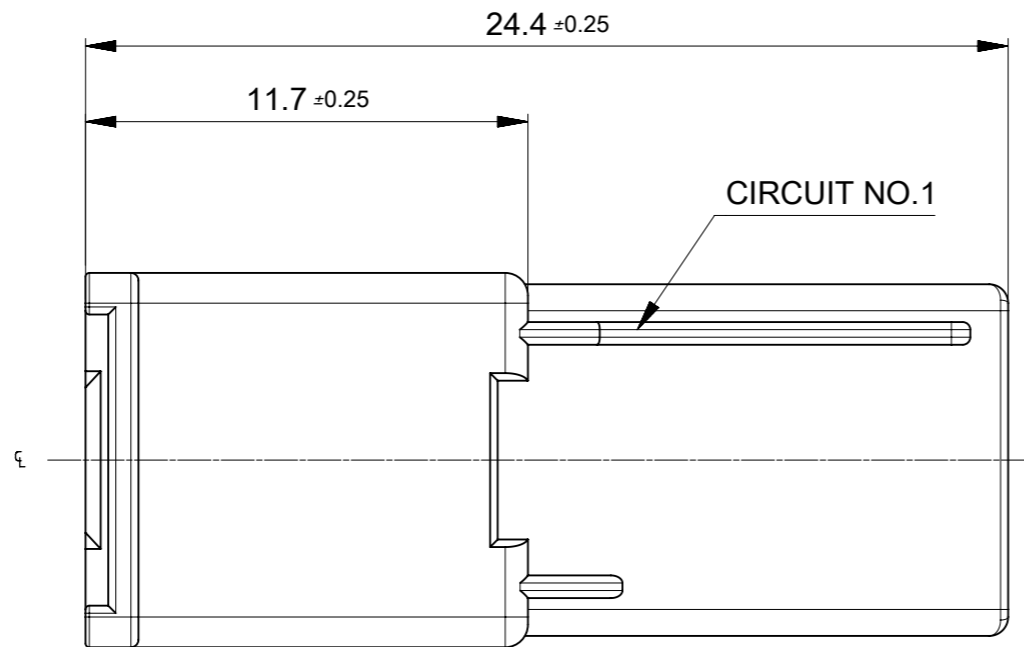
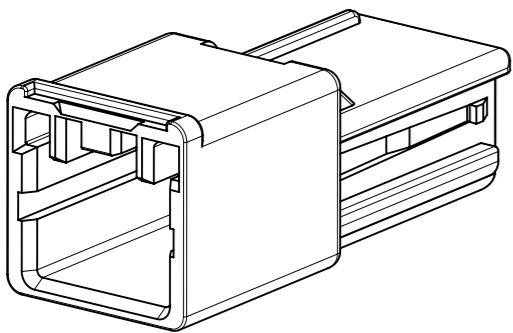


FIGURE OF 5046940200



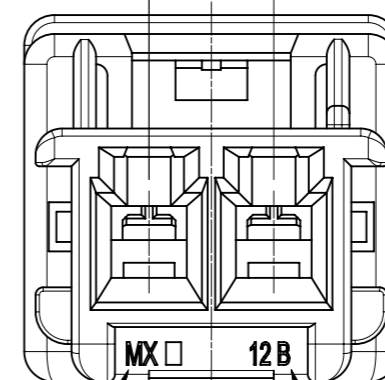
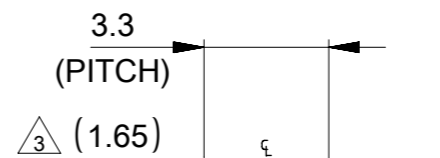
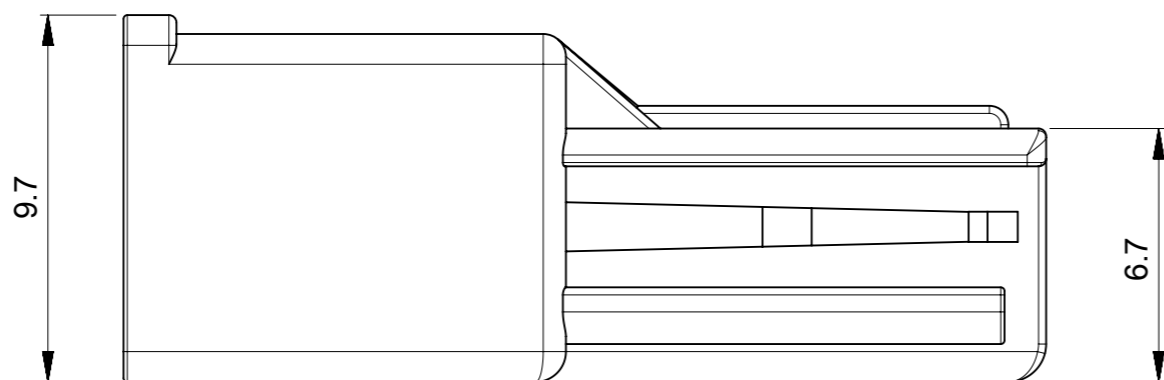
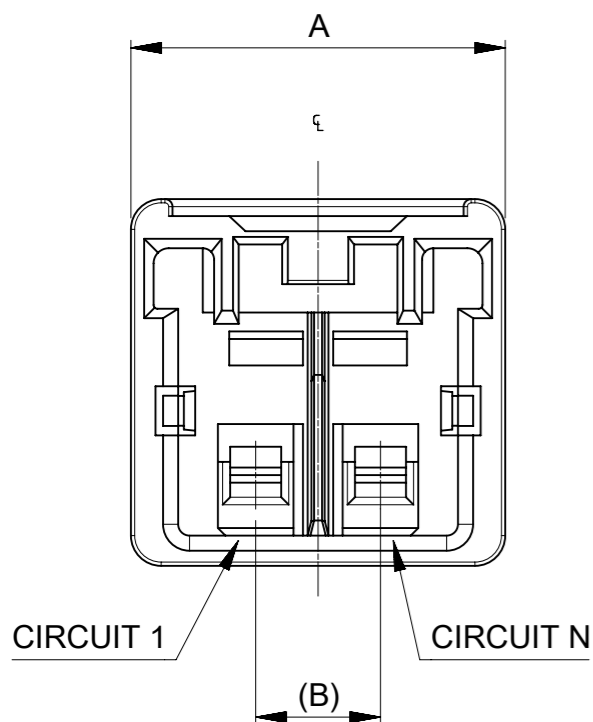
NOTES

- △1 材料：TABLE 1 参照
MATERIAL：SEE TABLE 1
- △2 製品仕様書、アプリケーション仕様書、適応嵌合相手、適応リテーナー、適応ターミナルはSHEET 2を御参照下さい
PLEASE REFER TO SHEET 2 FOR PRODUCT SPECIFICATION, APPLICATION SPECIFICATION, APPLY MATE PARTNER, APPLY RETAINER, APPLY TERMINAL.
- △3 極数/2 = 偶数に適応
APPLY FOR CIRCUIT SIZE / 2 =EVEN
- 4. 本製品のプラスチック部に黒点・白点等が確認される場合や色合いが異なる場合がありますが、製品性能に影響はありません。
THERE IS NO INFLUENCE IN THE PRODUCT PERFORMANCE THOUGH THE BLACK AND WHITE SPOT ETC. MIGHT BE CONFIRMED TO THE PLASTIC PART OF THIS PRODUCT AND THE SHADE MIGHT BE DIFFERENT.
- △5 発注番号：SHEET 3 参照
ORDER No.：PLEASE REFER TO SHEET 3 FOR PRODUCT LIST.

504694 ****

極数
CIRCUIT SIZE

ハウジングカラー HOUSING COLOR	
00:自然色	NATURAL
01:黒	BLACK
02:赤	RED
03:黄	YELLOW
04:青	BLUE
05:桃	PINK
06:緑	GREEN
08:橙	ORANGE
09:紫	VIOLET



TRADE MARK

CAV & MOLD NO.

16.5	23.1±0.25	6
9.9	16.5±0.25	4
6.6	13.2±0.25	3
3.3	9.9	2
(B)	A	極数 CIRCUIT SIZE

△1 TABLE 1

部品 PART	材料 MATERIAL
ハウジング HOUSING	PBT, UL-94 V-0,色：SEE CHART PBT, UL-94 V-0,COLOR：SEE CHART

DOCUMENT STATUS	P1	RELEASE DATE	2018/11/21	03:00:35
-----------------	----	--------------	------------	----------

THIS DRAWING CONTAINS INFORMATION THAT IS PROPRIETARY TO MOLEX ELECTRONIC TECHNOLOGIES, LLC AND SHOULD NOT BE USED WITHOUT WRITTEN PERMISSION

DIMENSION UNITS	SCALE	CURRENT REV DESC:		molex			
mm	5:1			CP-3.3 W/W SINGLE ROW PLUG HOUSING			
GENERAL TOLERANCES (UNLESS SPECIFIED)				PRODUCT CUSTOMER DRAWING			
ANGULAR TOL	± 3.0°	EC NO:	607712	DOCUMENT NUMBER			
4 PLACES	± 0.2	DRWN:	KYAMADA02	2018/11/02	5046940000-SD		
3 PLACES	± 0.2	CHK'D:	SAKIYAMA	2018/11/21	DOC TYPE	DOC PART	REVISION
2 PLACES	± 0.2	APPR:	TKANEKO	2018/11/21	PSD	000	A
1 PLACE	± 0.2	INITIAL REVISION:		MATERIAL NUMBER			
0 PLACES	± 0.2	DRWN:	KYAMADA02	2018/11/02	SEE CHART		
DRAFT WHERE APPLICABLE MUST REMAIN WITHIN DIMENSIONS		APPR:	TKANEKO	2018/11/21	CUSTOMER		SHEET NUMBER
THIRD ANGLE PROJECTION		DRAWING	SERIES	MATERIAL NUMBER	CUSTOMER		SHEET NUMBER
A3-SIZE		504694	504694	SEE CHART	GENERAL		1 OF 3

△ 2 適応製品及び各種仕様書
 APPLICABLE PRODUCTS AND VARIOUS SPECIFICATIONS

梱包仕様書 PACKING SPECIFICATION	PART NUMBER	SPECIFICATION NUMBER
	504694****	SPK-504694-001

適応端子 APPLY TERMINAL	PART NUMBER	PLATING TYPE	WIRE SIZE(AWG)
	5056080*00	TIN	#18 - #22
	503988*00		#22 - #28

適応嵌合相手 APPLY MATE	TIN PLATING
シリーズ番号 SERIES No.	REC HSG
適応リテーナー APPLY RETAINER	504693
シリーズ番号 SERIES No.	RETAINER
製品仕様書 PRODUCT SPECIFICATION	504695
アプリケーション仕様書 APPLICATION SPECIFICATION	PS-504693-001
	AS-504693-001(JAPANESE)/-002(ENGLISH)

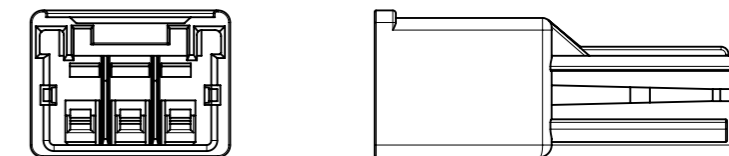


FIGURE OF 3 CIRCUIT

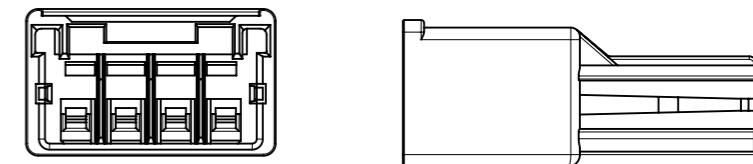


FIGURE OF 4 CIRCUIT

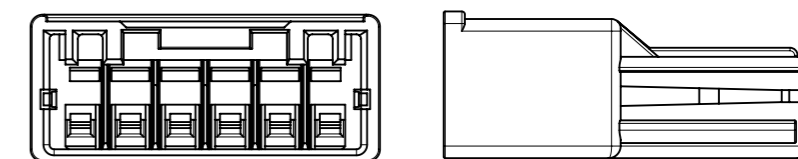
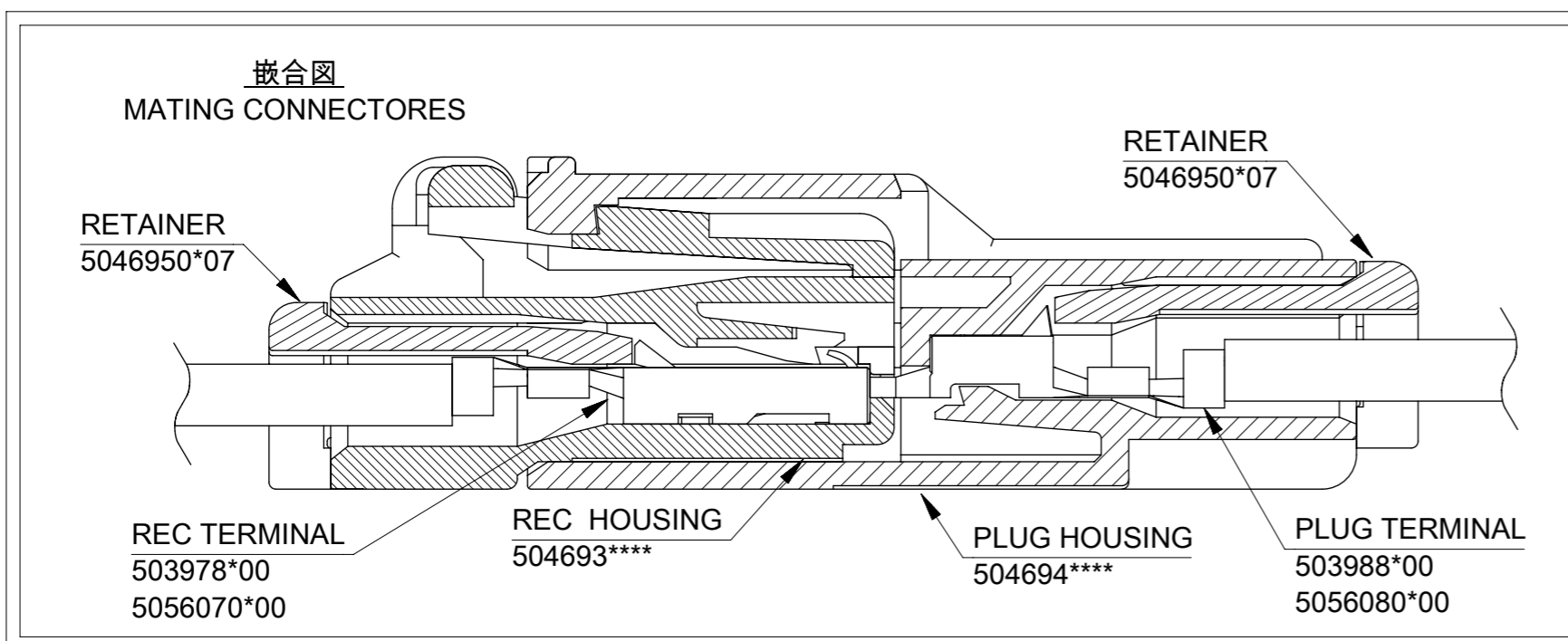


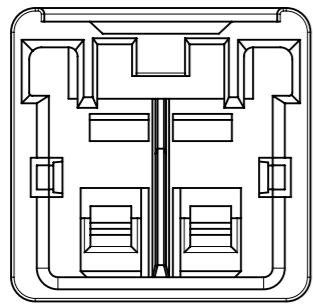
FIGURE OF 6 CIRCUIT



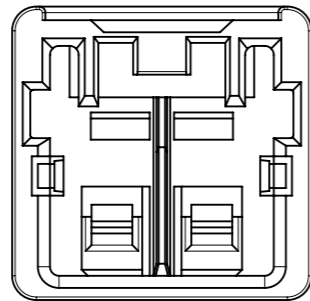
THIS DRAWING CONTAINS INFORMATION THAT IS PROPRIETARY TO MOLEX ELECTRONIC TECHNOLOGIES, LLC AND SHOULD NOT BE USED WITHOUT WRITTEN PERMISSION		CURRENT REV DESC:		molex	
DIMENSION UNITS	SCALE			CP-3.3 W/W SINGLE ROW PLUG HOUSING	
mm	1:1			PRODUCT CUSTOMER DRAWING	
GENERAL TOLERANCES (UNLESS SPECIFIED)		EC NO: 607712		DOCUMENT NUMBER	
ANGULAR TOL ± 3.0°		DRWN: KYAMADA02 2018/11/02		5046940000-SD	
4 PLACES ± 0.2		CHK'D: SAKIYAMA 2018/11/21		DOC TYPE DOC PART REVISION	
3 PLACES ± 0.2		APPR: TKANEKO 2018/11/21		PSD 000 A	
2 PLACES ± 0.2		INITIAL REVISION:		MATERIAL NUMBER	
1 PLACE ± 0.2		DRWN: KYAMADA02 2018/11/02		CUSTOMER	
0 PLACES ± 0.2		APPR: TKANEKO 2018/11/21		GENERAL	
DRAFT WHERE APPLICABLE MUST REMAIN WITHIN DIMENSIONS		THIRD ANGLE PROJECTION	DRAWING	SERIES	SHEET NUMBER
		⊕	A3-SIZE	504694	2 OF 3

△ 製品一覧
PRODUCT LIST

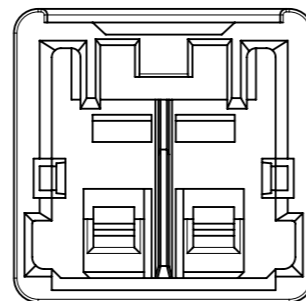
HOUSING COLOR									
VIOLET	ORANGE	GREEN	PINK	BLUE	YELLOW	RED	BLACK	NATURAL	
-	-	-	-	5046940604	5046940603	5046940602	5046940601	5046940600	6
-	-	-	-	5046940404	5046940403	5046940402	5046940401	5046940400	4
-	-	-	-	5046940304	5046940303	5046940302	5046940301	5046940300	3
5046940209	5046940208	5046940206	5046940205	5046940204	5046940203	5046940202	5046940201	5046940200	2
オーダー番号 ORDER No.									極数 CIRCUIT No.
梱包形態 : ポリ袋 PACKAGING : POLYBAG									



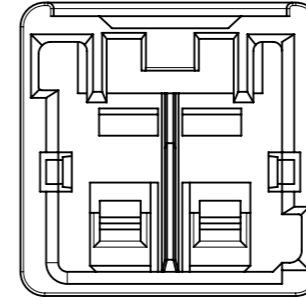
KEY TYPE :1
COLOR :NATURAL
MATERIAL NO. :5046940200



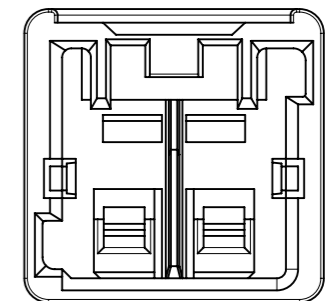
KEY TYPE :2
COLOR :BLACK
MATERIAL NO. :5046940201



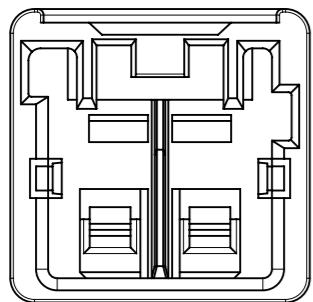
KEY TYPE :3
COLOR :RED
MATERIAL NO. :5046940202



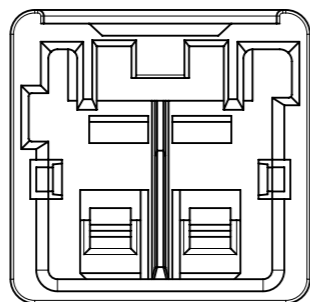
KEY TYPE :4
COLOR :YELLOW
MATERIAL NO. :5046940203



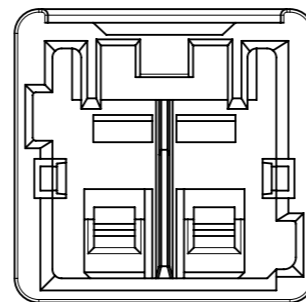
KEY TYPE :5
COLOR :BLUE
MATERIAL NO. :5046940204



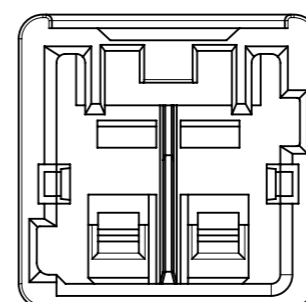
KEY TYPE :6
COLOR :PINK
MATERIAL NO. :5046940205



KEY TYPE :7
COLOR :GREEN
MATERIAL NO. :5046940206



KEY TYPE :8
COLOR :ORANGE
MATERIAL NO. :5046940208



KEY TYPE :9
COLOR :VIOLET
MATERIAL NO. :5046940209

MATING
KEY TYPE & COLORS

FIGURE OF 2 CIRCUIT

THIS DRAWING CONTAINS INFORMATION THAT IS PROPRIETARY TO MOLEX ELECTRONIC TECHNOLOGIES, LLC AND SHOULD NOT BE USED WITHOUT WRITTEN PERMISSION									
DIMENSION UNITS	SCALE	CURRENT REV DESC:							
mm	2:1	<p>molex</p> <p>CP-3.3 W/W SINGLE ROW PLUG HOUSING</p> <p>PRODUCT CUSTOMER DRAWING</p> <p>DOCUMENT NUMBER: 5046940000-SD DOC TYPE: PSD DOC PART: 000 REVISION: A</p> <p>INITIAL REVISION: DRWN: KYAMADA02 2018/11/02 CHK'D: SAKIYAMA 2018/11/21 APPR: TKANEKO 2018/11/21</p> <p>DRWN: KYAMADA02 2018/11/02 APPR: TKANEKO 2018/11/21</p> <p>MATERIAL NUMBER: 504694 CUSTOMER: GENERAL SHEET NUMBER: 3 OF 3</p>							
GENERAL TOLERANCES (UNLESS SPECIFIED)									
ANGULAR TOL	± 3.0 °								
4 PLACES	± 0.2								
3 PLACES	± 0.2								
2 PLACES	± 0.2								
1 PLACE	± 0.2								
0 PLACES	± 0.2								
DRAFT WHERE APPLICABLE MUST REMAIN WITHIN DIMENSIONS		THIRD ANGLE PROJECTION	DRAWING	SERIES	MATERIAL NUMBER	CUSTOMER		SHEET NUMBER	
			A3-SIZE	504694	SEE CHART	GENERAL		3 OF 3	