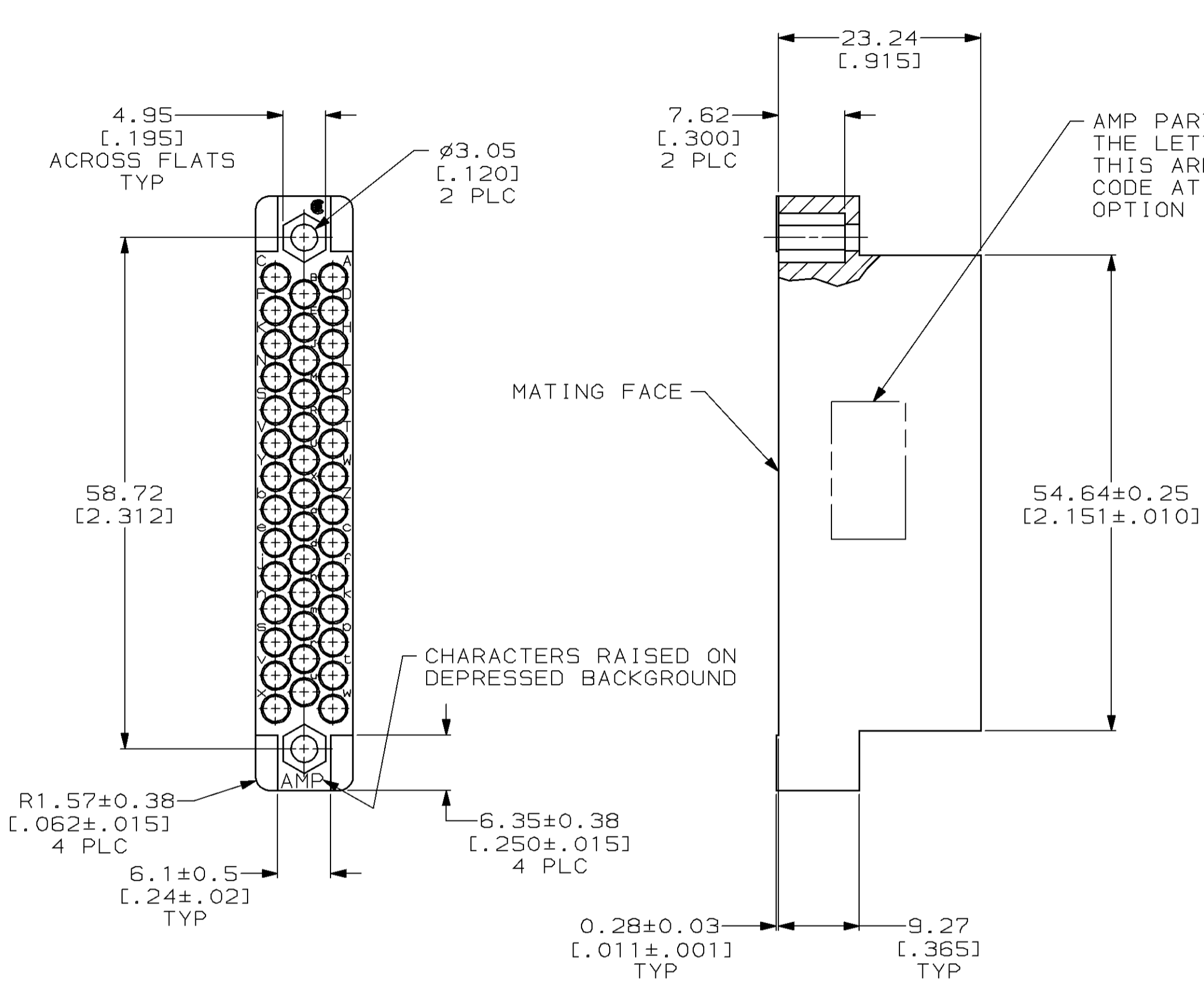
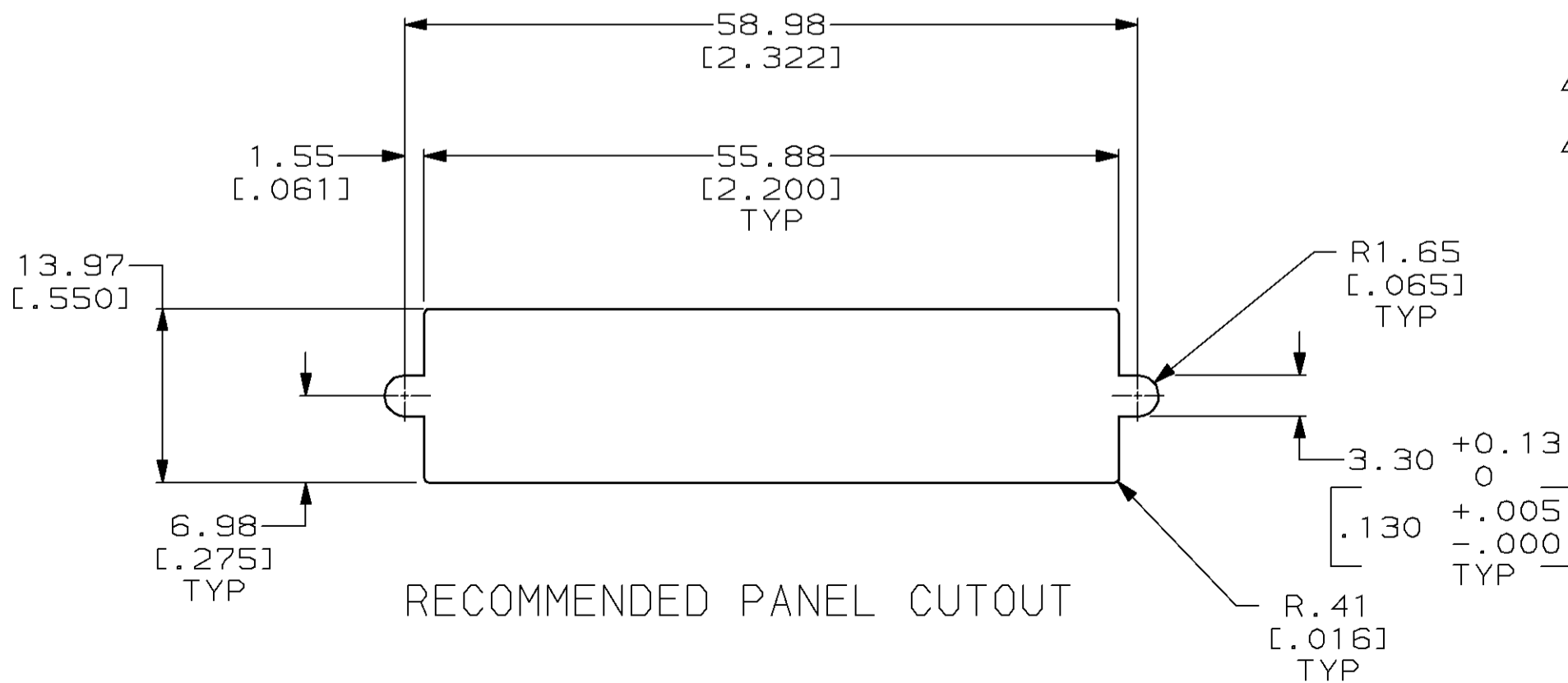


THIS DRAWING IS UNPUBLISHED. RELEASED FOR PUBLICATION  
 BY AMP INCORPORATED. ALL RIGHTS RESERVED.

Loc		DIST		REVISIONS			
P	LTR	DESCRIPTION	DATE	DWN	APVD		
	L	REDRAWN W/O CHANGE PER EC 0020-1299-95	19 FEB 96	-	-		
	M	REV PER EC 0320-82-97	14 AUG 97	BC	GS		



- 1 PHENOLIC, BLACK, PER MIL-M-14, TYPE CFG.
- 2 DIALLYL PHTHALATE, BLUE, PER MIL-M-14, TYPE SDG-F.
- 3. ACCOMODATES 41 #16 TYPE II OR TYPE III PIN CONTACTS OR SOCKET CONTACTS.
- 4. MATES WITH 201302.



<small>THIS DRAWING IS A CONTROLLED DOCUMENT FOR AMP INCORPORATED. IT IS SUBJECT TO CHANGE AND THE CONTROLLING ENGINEERING ORGANIZATION SHOULD BE CONTACTED FOR THE LATEST REVISION.</small>		DWN 19 FEB 96 CHK 13 MAR 96 APVD 25 JUN 96 G.A. STEINHAUER	<b>AMP</b> AMP Incorporated Harrisburg, PA 17105-3608
DIMENSIONS: mm [INCHES] TOLERANCES UNLESS OTHERWISE SPECIFIED: 0 PLC ±- 1 PLC ±- 2 PLC ±0.13 [.005] 3 PLC ±- 4 PLC ±- ANGLES ±- FINISH -		NAME: MALE BLOCK, DEEP, 41 POSITION, M SERIES PRODUCT SPEC: - APPLICATION SPEC: - WEIGHT: -	SIZE: A2 CAGE CODE: 00779 DRAWING NO: 202135 SCALE: 2:1 SHEET: 1 OF 1 REV: M
MATERIAL: SEE TABLE		CUSTOMER DRAWING	

2	202135-4
1	202135-2
MATERIAL	PART NUMBER

202135

A