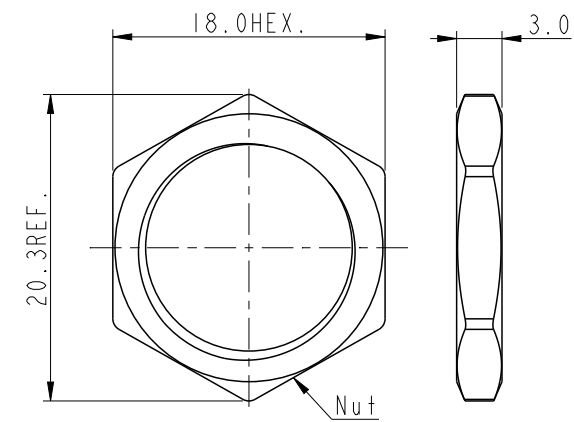
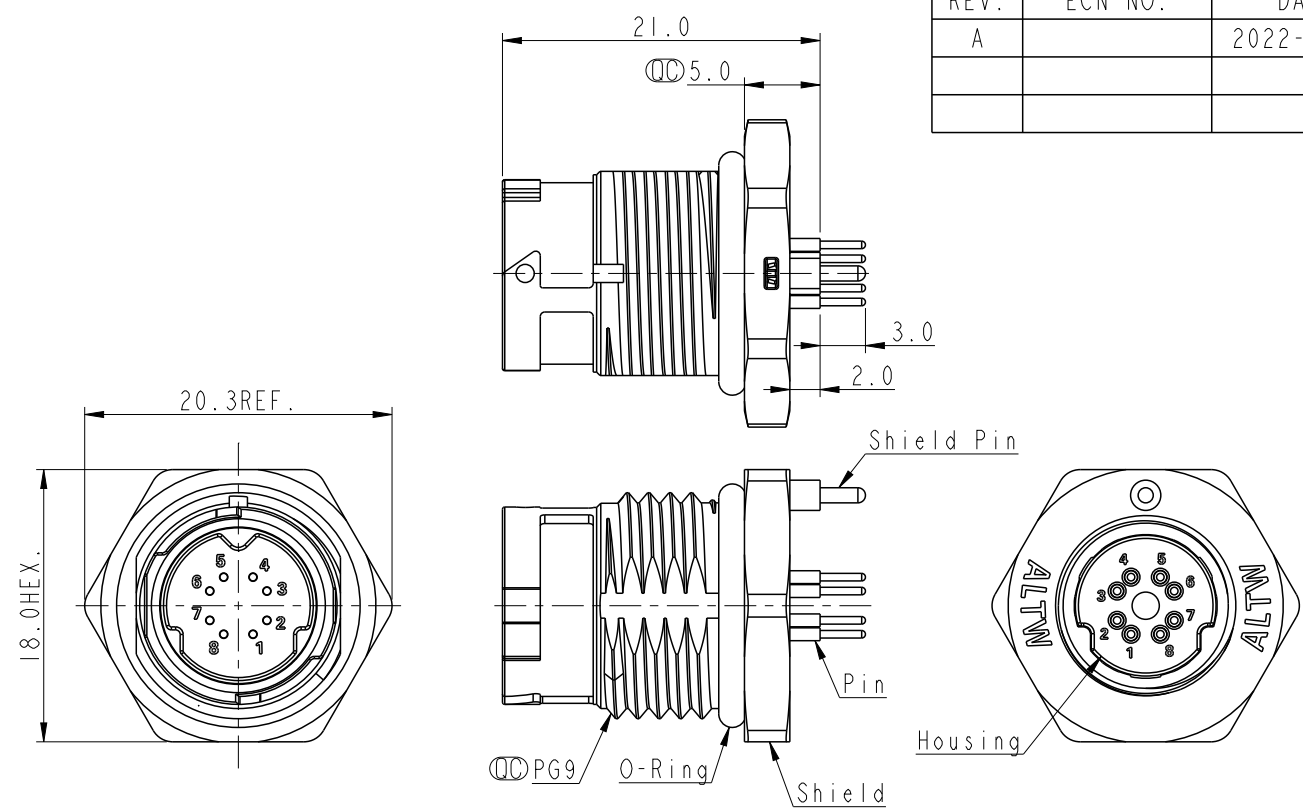


THIS DOCUMENT IS SUBJECT TO CHANGE WITHOUT NOTICE. IT IS CONFIDENTIAL AND A PROPERTY OF AMPHENOL LTW. DISCLOSURE TO THIRD PARTY HAS TO BE AUTHORIZED BY AMPHENOL LTW.

REV.	ECN NO.	DATE	SIGN	DESCRIPTION
A		2022-08-05	Sam Ho	Rev.01 to A, Initial Released

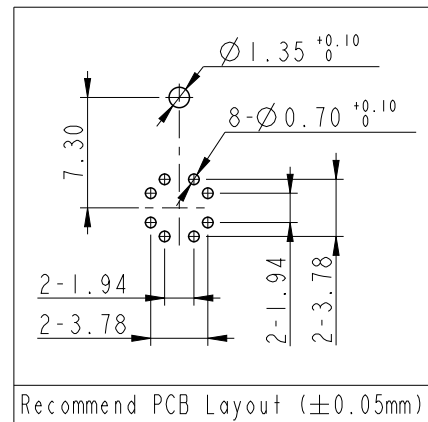
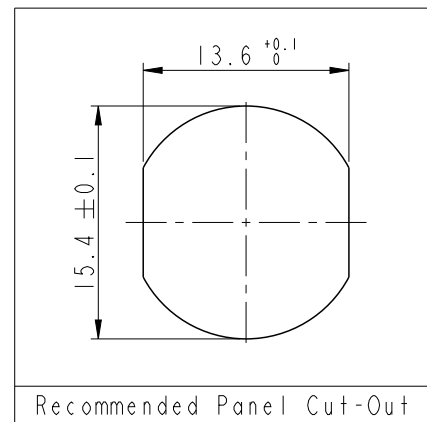


Note:

- \* RoHS Compliant
- \*  $\varnothing$  Important dimension
- \* Waterproof rate: IPX8, unmated 1m/24h
- \* Housing: Thermoplastic, Black
- \* Pin: Copper Alloy, Gold plated
- \* Shield Pin: Copper Alloy, Tin plated
- \* Shield: Metal
- \* Nut: Metal
- \* O-Ring: Rubber, Black
- \* For panel thickness max: 4.5mm
- \* Recommend PCB thickness max: 2.0mm
- \* Nut is packed separately in pe bag

ASY-AXXPMP-QC8001

XX: No. Of Pin



UNIT: mm		TITLE XLOK, A SHLD-0.5A, A08P, FRONT FASTENED
TOLERANCE $\pm 0.50\text{mm}$	SCALE 2:1	SIZE A4
REV. A	WC-REV.	SHEET 1 OF 1
		$\varnothing$ : Inspection item

**Amphenol LTW**  
安費諾亮泰企業股份有限公司

ITEM NO.	DRAWN BY Sam Ho	DATE 2022-08-05
DWG NO. ASY-AXXPMP-QC8001	CHECKED BY Fred Lee	DATE 2022-08-05
CUSTOMER ALTW	APPROVED BY Fred Lee	DATE 2022-08-05