



## N Female Low PIM Connector Solder Attachment 4 Hole Flange Mount for PE-SR402FL, PE-SR402FLJ, RG402, PE-SR402AL

### RF Connectors Technical Data Sheet

**PE45824**

#### Configuration

- N Female Connector
- 50 Ohms
- Straight Body Geometry
- Connector Interface Types: PE-SR402FL, PE-SR-402FLJ, RG402, PE-SR402AL
- 4 Hole Flange
- Low PIM Design

#### Features

- Max. Operating Frequency 6 GHz
- Silver Plated Bronze Contact

#### Applications

- General Purpose Test
- Rack and Panel Mount Applications
- Wireless Communications
- Custom Cable Assemblies
- Low PIM Applications

#### Description

Pasternack's PE45824 type N female 4 hole flange mount connector with solder/solder attachment for PE-SR402FL, PE-SR402FLJ, RG402 and PE-SR402AL is part of our full line of RF components available for same-day shipping. Our type N female connector operates up to a maximum frequency of 6 GHz. This type N 4 hole flange connector allows designers to create external connections on their product enclosures, and can be used in a variety of other rack mount and panel mount applications.

Our type N female 4 hole flange connector PE45824 datasheet specifications and drawing with dimensions are shown below in this PDF. Pasternack's broad catalog of RF, microwave and millimeter wave connectors allows designers to configure and customize their signal connections however they like. Whether the need is to provide an I/O for a board design, or simply create a custom cable assembly configuration, Pasternack has the right connector for the job. Pasternack can also expertly build your custom cable assemblies for you and ship same-day.

#### Electrical Specifications

| Description                          | Minimum | Typical | Maximum | Units |
|--------------------------------------|---------|---------|---------|-------|
| Frequency Range                      | DC      |         | 6       | GHz   |
| Insertion Loss                       |         |         | 0.15    | dB    |
| Dielectric Withstanding Voltage (AC) |         |         | 750     | Vrms  |

#### Performance by Frequency

| Description     | F1      | F2 | F3 | F4 | F5 | Units |
|-----------------|---------|----|----|----|----|-------|
| Frequency Range | DC to 3 |    |    |    |    | GHz   |
| VSWR, Max       | 1.25:1  |    |    |    |    |       |

Electrical Specification Notes:  
Insertion Loss is measured as  $< 0.06 * \text{SQRT}(f(\text{GHz}))(\text{dB})$

Click the following link (or enter part number in "SEARCH" on website) to obtain additional part information including price, inventory and certifications: [N Female Low PIM Connector Solder Attachment 4 Hole Flange Mount for PE-SR402FL, PE-SR402FLJ, RG402, PE-SR402AL PE45824](#)



N Female Low PIM Connector Solder Attachment 4 Hole Flange Mount for PE-SR402FL, PE-SR402FLJ, RG402, PE-SR402AL

**RF Connectors**  
**Technical Data Sheet**

**PE45824**

**Mechanical Specifications**

|             |                     |
|-------------|---------------------|
| <b>Size</b> |                     |
| Length      | 1.16 in [29.46 mm]  |
| Width/Dia.  | 1 in [25.40 mm]     |
| Height      | 1 in [25.4 mm]      |
| Weight      | 0.087 lbs [39.46 g] |

**Material Specifications**

| Description | Material | Plating   |
|-------------|----------|-----------|
| Contact     | Bronze   | Silver    |
| Insulation  | PTFE     |           |
| Body        | Brass    | Tri-Metal |

**Environmental Specifications**

|                    |                  |
|--------------------|------------------|
| <b>Temperature</b> |                  |
| Operating Range    | -65 to +85 deg C |

**Compliance Certifications** (see [product page](#) for current document)

**Plotted and Other Data**

Notes:

N Female Low PIM Connector Solder Attachment 4 Hole Flange Mount for PE-SR402FL, PE-SR402FLJ, RG402, PE-SR402AL from Pasternack Enterprises has same day shipment for domestic and International orders. Our RF, microwave and millimeter wave products maintain a 99.4% availability and are part of the broadest selection in the industry.

Click the following link (or enter part number in "SEARCH" on website) to obtain additional part information including price, inventory and certifications: [N Female Low PIM Connector Solder Attachment 4 Hole Flange Mount for PE-SR402FL, PE-SR402FLJ, RG402, PE-SR402AL PE45824](#)

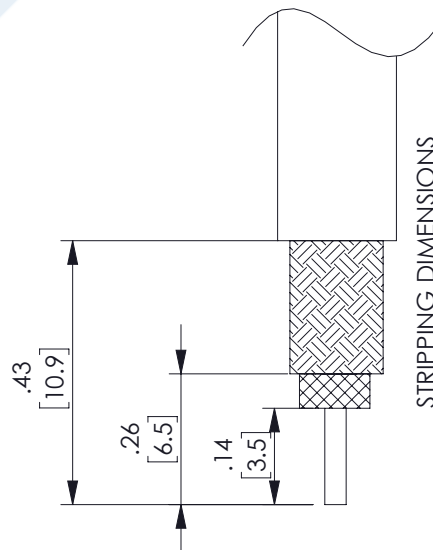
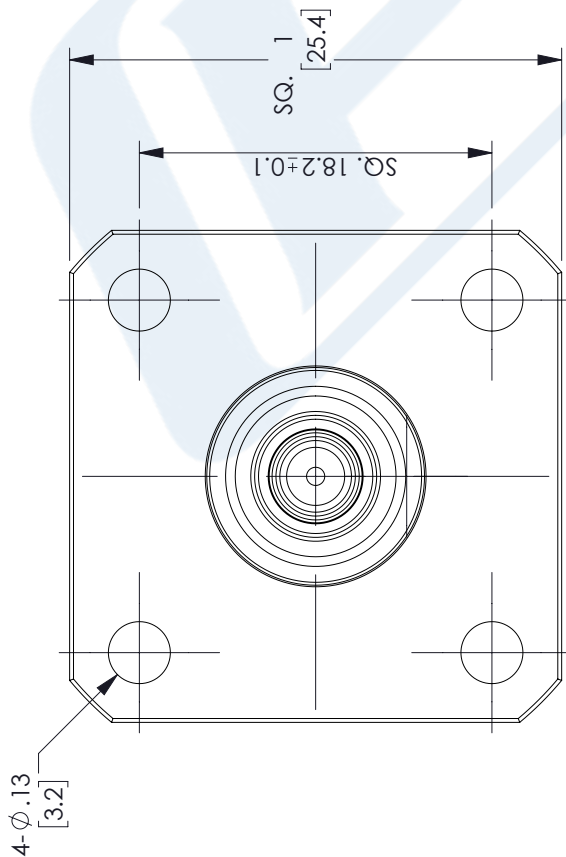
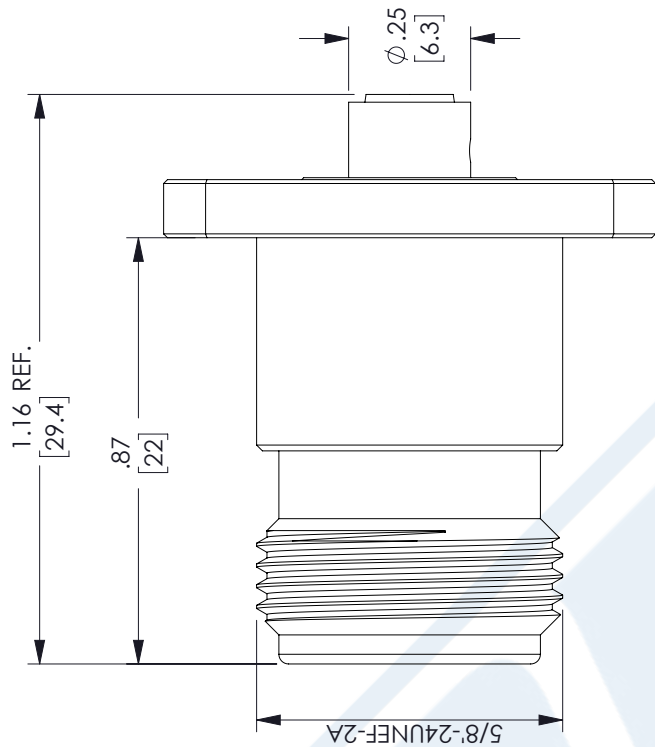
URL: <https://www.pasternack.com/n-female-pe-sr402fl-pe-sr402flj-rg402-pe-sr402al-connector-pe45824-p.aspx>

The information contained in this document is accurate to the best of our knowledge and representative of the part described herein. It may be necessary to make modifications to the part and/or the documentation of the part, in order to implement improvements. Pasternack reserves the right to make such changes as required. Unless otherwise stated, all specifications are nominal. Pasternack does not make any representation or warranty regarding the suitability of the part described herein for any particular purpose, and Pasternack does not assume any liability arising out of the use of any part or documentation.

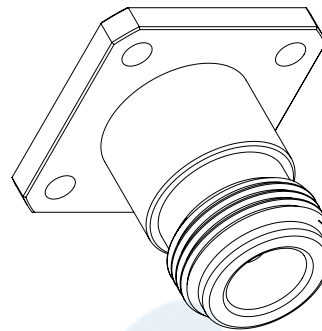
# PE45824 CAD Drawing

N Female Low PIM Connector Solder Attachment 4 Hole Flange Mount  
for PE-SR402FL, PE-SR402FLJ, RG402, PE-SR402AL

| REVISIONS |                 |           |          |
|-----------|-----------------|-----------|----------|
| REV.      | DESCRIPTION     | DATE      | APPROVED |
| A         | INITIAL RELEASE | 8/17/2022 | AGANWANI |



STRIPPING DIMENSIONS



|   |                 |                 |                  |            |                    |  |                             |   |  |   |                            |   |
|---|-----------------|-----------------|------------------|------------|--------------------|--|-----------------------------|---|--|---|----------------------------|---|
| <p>UNLESS OTHERWISE SPECIFIED LEADING DIMENSIONS ARE INCHES DIMENSIONS IN [ ] ARE MILLIMETERS</p> <p>TOLERANCES:</p> <table border="0"> <tr> <td>.X = ±.2 [5.08]</td> <td>FRACTIONS ±1/32</td> </tr> <tr> <td>.XX = ±.02 [.51]</td> <td>ANGLES ±1°</td> </tr> <tr> <td>.XXX = ±.005 [.13]</td> <td></td> </tr> </table> <p>CABLE LENGTH (L) TOLERANCES:</p> <table border="0"> <tr> <td>L ≤ 12 [305] = +1 [25] / -0</td> </tr> <tr> <td>12 [305] &lt; L ≤ 60 [1524] = +2 [51] / -0</td> </tr> <tr> <td>60 [1524] &lt; L ≤ 120 [3048] = +4 [102] / -0</td> </tr> <tr> <td>120 [3048] &lt; L ≤ 300 [7620] = +6 [152] / -0</td> </tr> <tr> <td>300 [7620] &lt; L = +5%L / -0</td> </tr> </table> <p>ALL DIMENSIONS SHOWN ARE FOR REFERENCE ONLY.</p> | .X = ±.2 [5.08] | FRACTIONS ±1/32 | .XX = ±.02 [.51] | ANGLES ±1° | .XXX = ±.005 [.13] |  | L ≤ 12 [305] = +1 [25] / -0 | 12 [305] < L ≤ 60 [1524] = +2 [51] / -0 | 60 [1524] < L ≤ 120 [3048] = +4 [102] / -0 | 120 [3048] < L ≤ 300 [7620] = +6 [152] / -0 | 300 [7620] < L = +5%L / -0 | <p>THIRD-ANGLE PROJECTION</p> <p>THE INFORMATION AND DESIGN IN THIS DOCUMENT IS THE PROPERTY OF PASTERNAK CORPORATION ALL RIGHTS RESERVED.</p> <p>SHEET 1 OF 1</p> <p>SCALE N/A</p> |
|   | .X = ±.2 [5.08] | FRACTIONS ±1/32 |                  |            |                    |  |                             |   |  |   |                            |   |
| .XX = ±.02 [.51]  | ANGLES ±1°      |                 |                  |            |                    |  |                             |   |  |   |                            |   |
| .XXX = ±.005 [.13]  |                 |                 |                  |            |                    |  |                             |   |  |   |                            |   |
| L ≤ 12 [305] = +1 [25] / -0   |                 |                 |                  |            |                    |  |                             |   |  |   |                            |   |
| 12 [305] < L ≤ 60 [1524] = +2 [51] / -0   |                 |                 |                  |            |                    |  |                             |   |  |   |                            |   |
| 60 [1524] < L ≤ 120 [3048] = +4 [102] / -0  |                 |                 |                  |            |                    |  |                             |   |  |   |                            |   |
| 120 [3048] < L ≤ 300 [7620] = +6 [152] / -0   |                 |                 |                  |            |                    |  |                             |   |  |   |                            |   |
| 300 [7620] < L = +5%L / -0  |                 |                 |                  |            |                    |  |                             |   |  |   |                            |   |
| <p><b>PE PASTERNAK</b><br/>an INFINITE brand</p> <p>Pasternack Enterprises, Inc.<br/>P. O. Box 16759, Irvine, CA 92623.<br/>Phone: 1.949.261.1920   1.866.727.8376<br/>Fax: 1.949.261.7451<br/>Website: www.pasternack.com<br/>E-mail: sales@pasternack.com</p>   | <p>REV A</p>    |                 |                  |            |                    |  |                             |   |  |   |                            |   |

THESE COMMODITIES, TECHNOLOGY OR SOFTWARE WERE EXPORTED FROM THE UNITED STATES IN ACCORDANCE WITH THE EXPORT ADMINISTRATION REGULATIONS. DIVERSION CONTRARY TO U.S. LAW PROHIBITED.