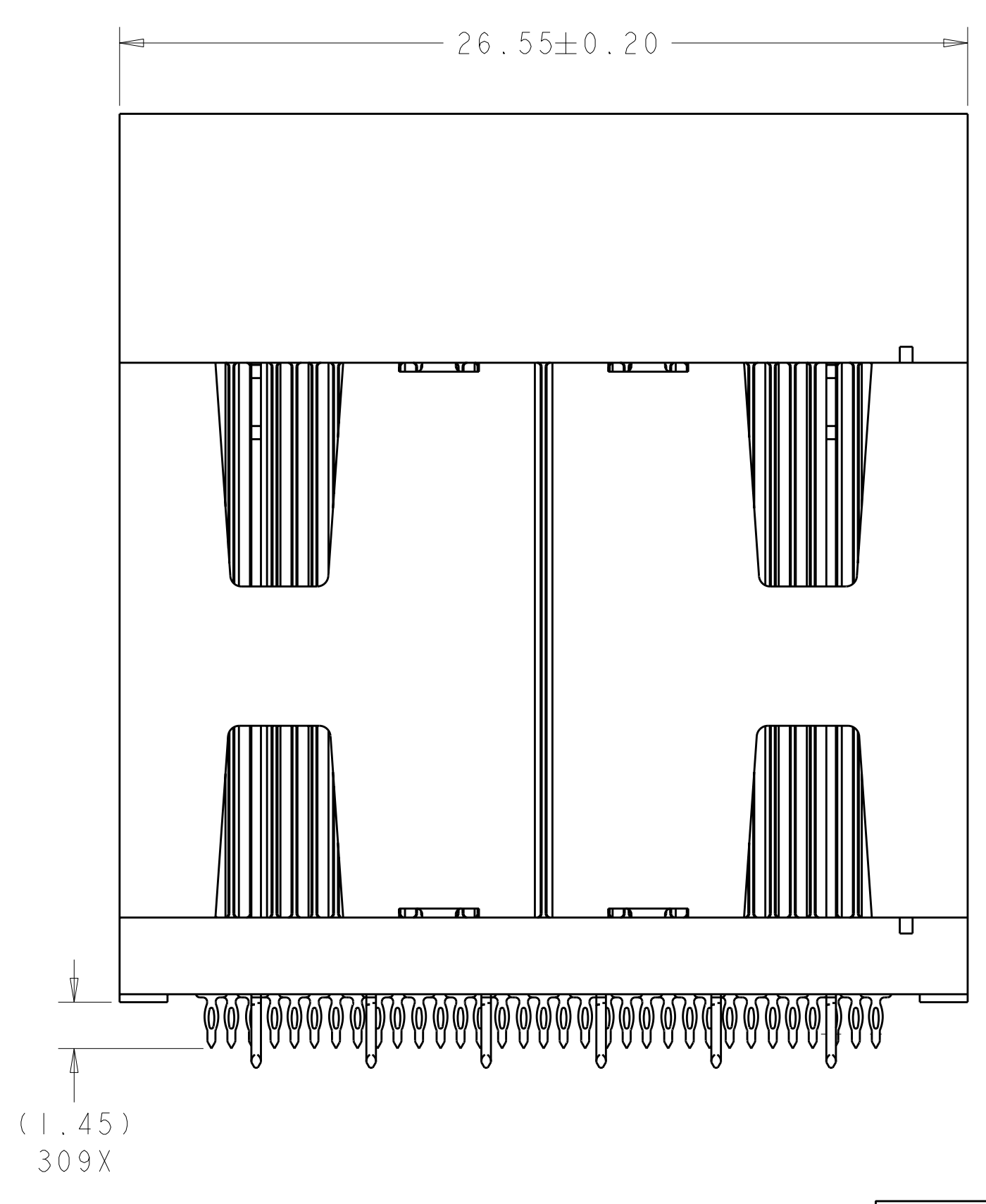
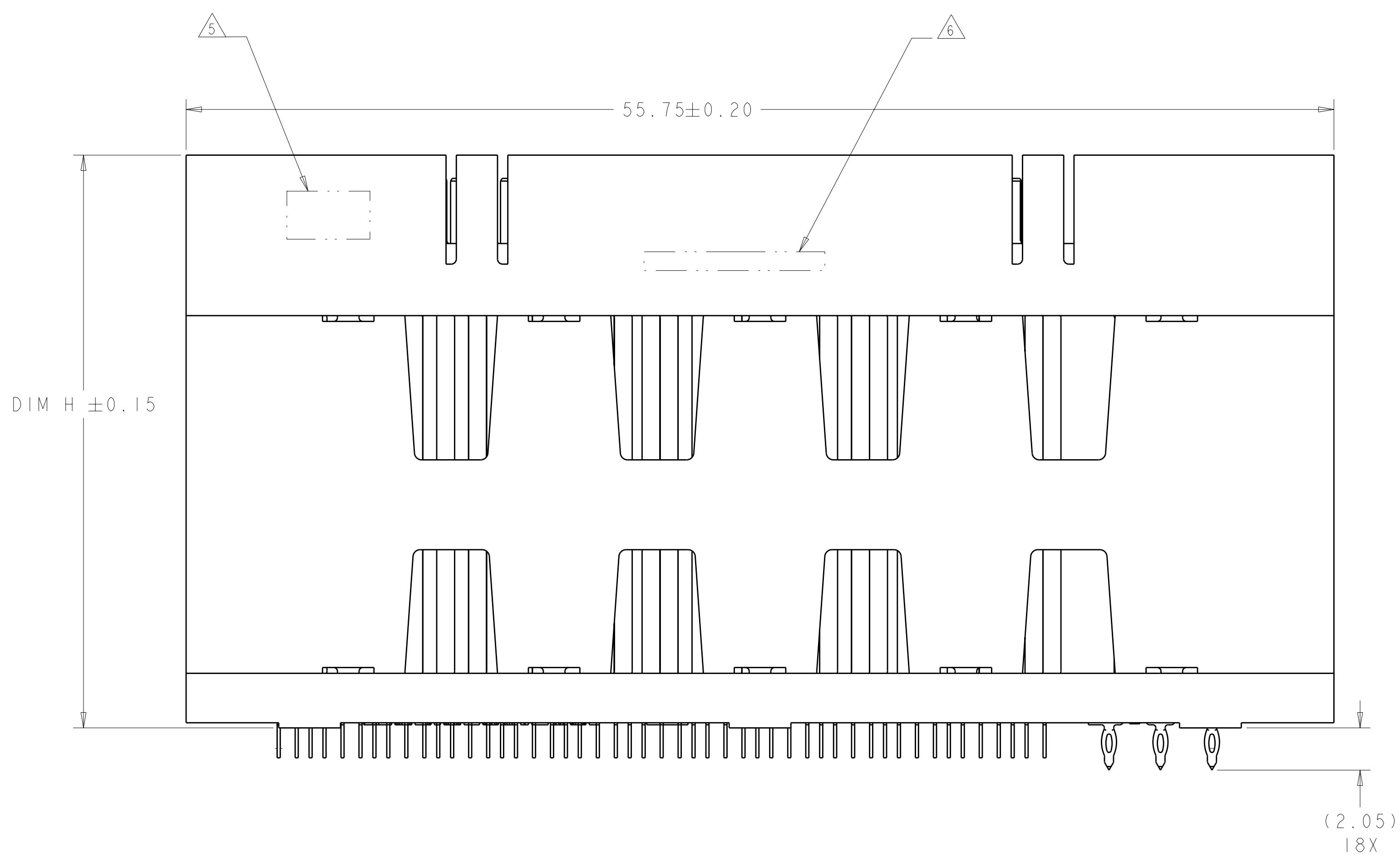
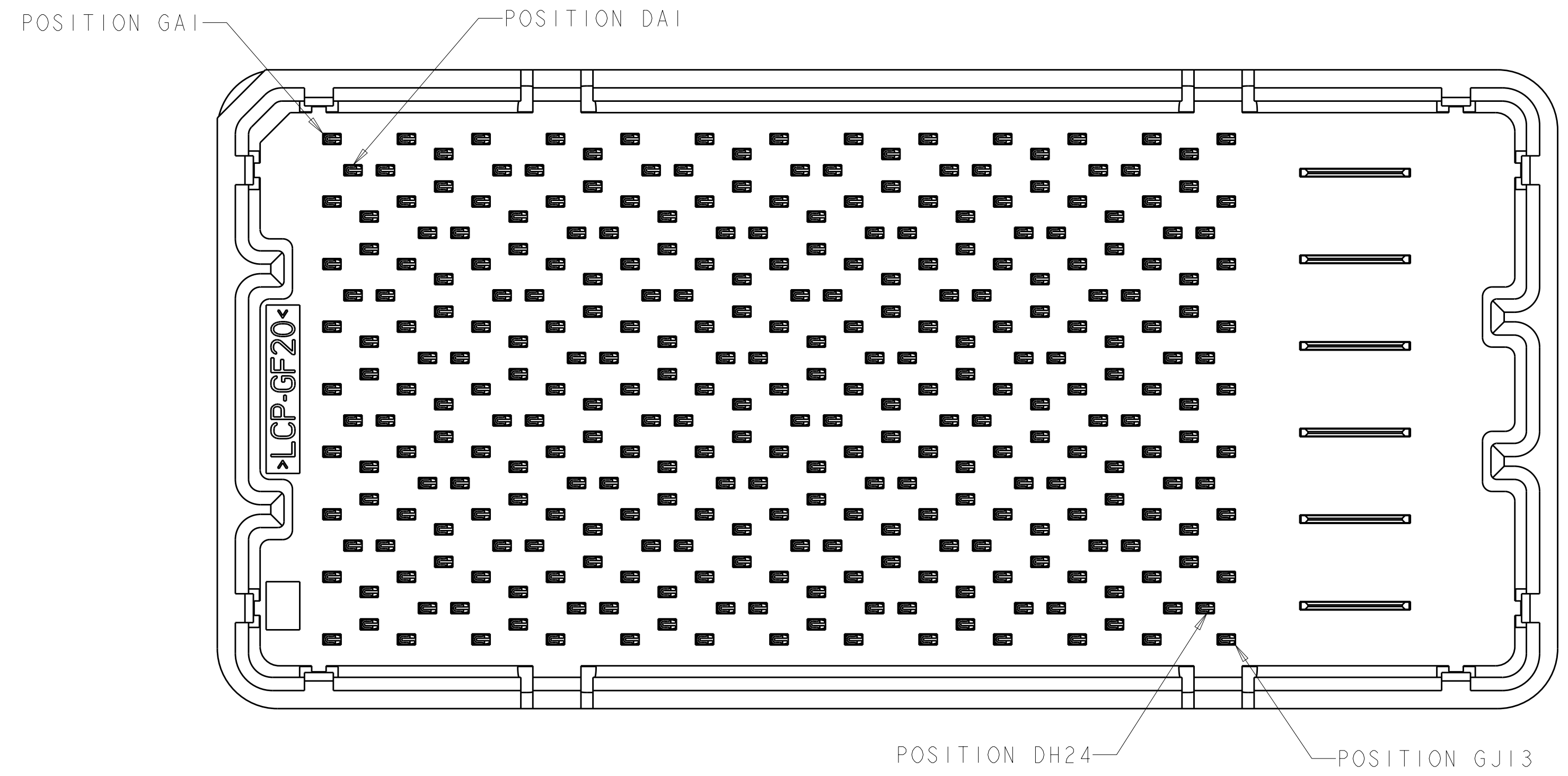


LOC	DIST	REV	DATE	BY	CHK	APPV
GP	00					
		4	08DEC2010	WS	MH	
		5	10MAY2012	REH	DT	



- 1 MATERIAL:
 BASE HOUSING, UPPER HOUSING, ORGANIZER,
 AND SPACER: THERMOPLASTIC, FLAMMABILITY
 RATING UL94-V0
 CONTACT: COPPER ALLOY
- 2. CONFORMS TO THE REQUIREMENTS OF TE PRODUCT
 SPECIFICATION, 108-2375; BASED ON TELCORDIA
 GR-1217-CORE FOR SYSTEM QUALITY LEVEL III,
 APPLICATIONS IN CONTROLLED ENVIRONMENTS
 (CENTRAL OFFICE).
 SEE TE PRODUCT SPECIFICATION 108-2375 FOR
 TEST SEQUENCES.
- 3 ROWS GA THRU GJ (SHOWN DARKENED) ARE TYPICALLY
 USED AS GROUNDS.
- 4 SPECIFIED POSITIONAL TOLERANCE DEFINES HOLE TO
 HOLE LOCATION WITHIN HOLE PATTERN. POSITIONAL
 TOLERANCE OF HOLE PATTERN TO FIDUCIAL MARKS
 OR PCB DATUMS SHALL BE DEFINED BY CUSTOMER.
- 5 AREA RESERVED FOR TE CONNECTIVITY LOGO.
- 6 AREA RESERVED FOR PART NUMBER (X-XXXXXX-X)
 AND DATE CODE (YYWW).
- 7 USE CENTERLINES INDICATED ON PCB HOLE PATTERN
 TO ESTABLISH ALIGNMENT BETWEEN HEADER AND
 RECEPTACLE BOARDS.
- 8 PLATED THROUGH HOLE REQUIREMENTS - SIGNAL:
 HOLE SIZE PRIOR TO PLATING = $\varnothing 0.420 \pm 0.013$
 COPPER PLATING THICKNESS = 0.038 ± 0.013
 CALCULATED FINISHED HOLE SIZE = $\varnothing 0.344 \pm 0.039$
 THESE DIMENSIONS APPLY TO THE TOP 1.25mm OF
 THE PCB THICKNESS FROM THE CONNECTOR MOUNTING
 SIDE.
- 9 PLATED THROUGH HOLE REQUIREMENTS - POWER:
 HOLE SIZE PRIOR TO PLATING = $\varnothing 0.700 \pm 0.025$
 COPPER PLATING THICKNESS = 0.038 ± 0.013
 CALCULATED FINISHED HOLE SIZE = $\varnothing 0.624 \pm 0.051$
 THESE DIMENSIONS APPLY TO THE TOP 1.50mm OF
 THE PCB THICKNESS FROM THE CONNECTOR MOUNTING
 SIDE.
- 10 CONTACT SALES FOR AVAILABILITY OF THIS STACK
 HEIGHT.

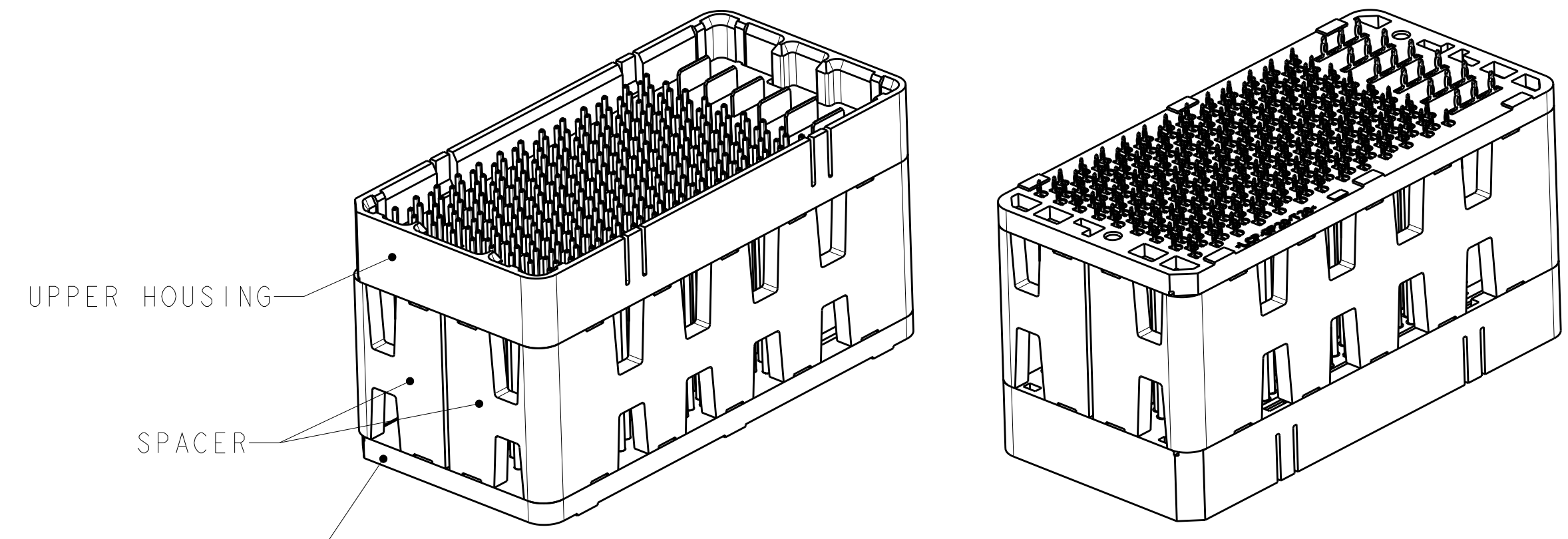
SIZE 3 HOUSING *
96 DIFFERENTIAL PAIRS
309 TOTAL SIGNAL CONTACTS
6 POWER CONTACTS

* SIZE 1 AND SIZE 2 ARE ALSO AVAILABLE

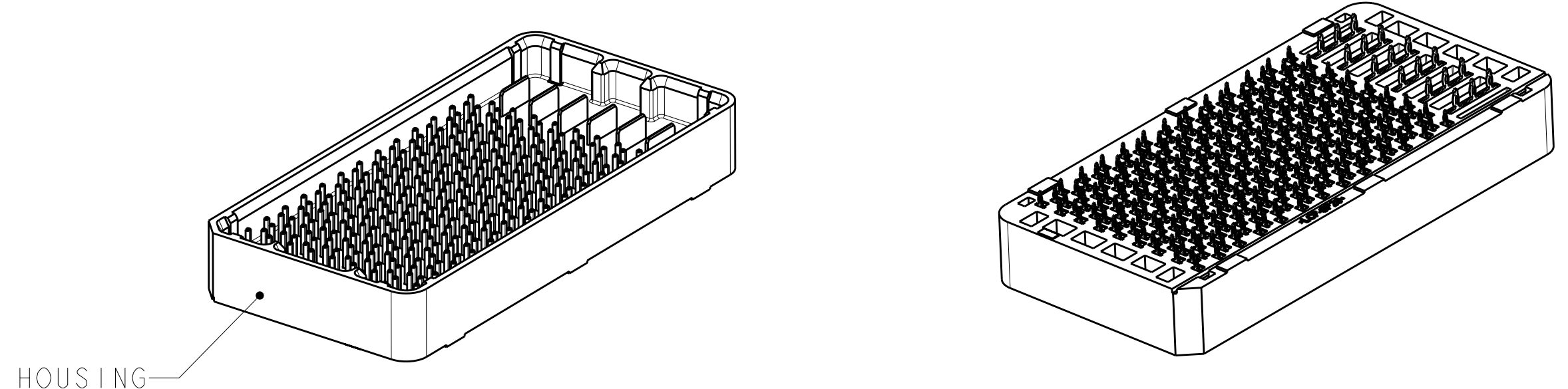
THIS PRODUCT HAS NOT
 COMPLETED VALIDATION AND
 QUALIFICATION TESTING

THIS DRAWING IS A CONTROLLED DOCUMENT.		OWN: D. RINGLER 08JUN2009	TE Connectivity
DIMENSIONS: mm		CHK: D. TROUT 08JUN2009	
TOLERANCES UNLESS OTHERWISE SPECIFIED:		APPV: J. FEDDER 08JUN2009	NAME: HEADER ASSEMBLY
0 PLC ±	1 PLC ±	PRODUCT SPEC: 108-2375	96/309/6P
2 PLC ±0.13	3 PLC ±0.013	APPLICATION SPEC: 114-13249	STRADA MESA MEZZANINE CONNECTOR
4 PLC ±	ANGLES ±1	SIZE: A100779	RESTRICTED TO
MATERIAL: △	FINISH: -	WEIGHT: -	CAGE CODE: C=2110480
CUSTOMER DRAWING		SCALE: 6:1	SHEET 1 OF 4 REV 5

LOC	DIST	REV	DATE	BY	APPD
GP	00				
DESCRIPTION			DATE	BY	APPD
SEE SHEET 1					



ISOMETRIC VIEW
 TYPICAL CONFIGURATION FOR 14mm THRU 42mm
 28mm SHOWN
 SCALE 2:1



ISOMETRIC VIEWS
 TYPICAL CONFIGURATION FOR 8mm THRU 13mm
 8mm SHOWN
 SCALE 2:1

TOOLED	DIM H	STACK HEIGHT	CONTACT TAIL PLATING	PART NUMBER
△10	41.8	42mm	MATTE Sn	9-2110480-2
△10	40.8	41mm	MATTE Sn	9-2110480-1
YES	39.8	40mm	MATTE Sn	9-2110480-0
△10	38.8	39mm	MATTE Sn	8-2110480-9
△10	37.8	38mm	MATTE Sn	8-2110480-8
△10	36.8	37mm	MATTE Sn	8-2110480-7
△10	35.8	36mm	MATTE Sn	8-2110480-6
△10	34.8	35mm	MATTE Sn	8-2110480-5
△10	33.8	34mm	MATTE Sn	8-2110480-4
△10	32.8	33mm	MATTE Sn	8-2110480-3
△10	31.8	32mm	MATTE Sn	8-2110480-2
△10	30.8	31mm	MATTE Sn	8-2110480-1
△10	29.8	30mm	MATTE Sn	8-2110480-0
△10	28.8	29mm	MATTE Sn	7-2110480-9
YES	27.8	28mm	MATTE Sn	7-2110480-8
△10	26.8	27mm	MATTE Sn	7-2110480-7
△10	25.8	26mm	MATTE Sn	7-2110480-6
△10	24.8	25mm	MATTE Sn	7-2110480-5
△10	23.8	24mm	MATTE Sn	7-2110480-4
YES	22.8	23mm	MATTE Sn	7-2110480-3
△10	21.8	22mm	MATTE Sn	7-2110480-2
△10	20.8	21mm	MATTE Sn	7-2110480-1
△10	19.8	20mm	MATTE Sn	7-2110480-0
△10	18.8	19mm	MATTE Sn	6-2110480-9
△10	17.8	18mm	MATTE Sn	6-2110480-8
△10	16.8	17mm	MATTE Sn	6-2110480-7
△10	15.8	16mm	MATTE Sn	6-2110480-6
△10	14.8	15mm	MATTE Sn	6-2110480-5
△10	13.8	14mm	MATTE Sn	6-2110480-4
△10	12.8	13mm	MATTE Sn	6-2110480-3
△10	11.8	12mm	MATTE Sn	6-2110480-2
△10	10.8	11mm	MATTE Sn	6-2110480-1
YES	9.8	10mm	MATTE Sn	6-2110480-0
△10	8.8	9mm	MATTE Sn	5-2110480-9
△10	7.8	8mm	MATTE Sn	5-2110480-8

TOOLED	DIM H	STACK HEIGHT	CONTACT TAIL PLATING	PART NUMBER
△10	41.8	42mm	Sn/Pb	4-2110480-2
△10	40.8	41mm	Sn/Pb	4-2110480-1
YES	39.8	40mm	Sn/Pb	4-2110480-0
△10	38.8	39mm	Sn/Pb	3-2110480-9
△10	37.8	38mm	Sn/Pb	3-2110480-8
△10	36.8	37mm	Sn/Pb	3-2110480-7
△10	35.8	36mm	Sn/Pb	3-2110480-6
△10	34.8	35mm	Sn/Pb	3-2110480-5
△10	33.8	34mm	Sn/Pb	3-2110480-4
△10	32.8	33mm	Sn/Pb	3-2110480-3
△10	31.8	32mm	Sn/Pb	3-2110480-2
△10	30.8	31mm	Sn/Pb	3-2110480-1
△10	29.8	30mm	Sn/Pb	3-2110480-0
△10	28.8	29mm	Sn/Pb	2-2110480-9
YES	27.8	28mm	Sn/Pb	2-2110480-8
△10	26.8	27mm	Sn/Pb	2-2110480-7
△10	25.8	26mm	Sn/Pb	2-2110480-6
△10	24.8	25mm	Sn/Pb	2-2110480-5
△10	23.8	24mm	Sn/Pb	2-2110480-4
YES	22.8	23mm	Sn/Pb	2-2110480-3
△10	21.8	22mm	Sn/Pb	2-2110480-2
△10	20.8	21mm	Sn/Pb	2-2110480-1
△10	19.8	20mm	Sn/Pb	2-2110480-0
△10	18.8	19mm	Sn/Pb	1-2110480-9
△10	17.8	18mm	Sn/Pb	1-2110480-8
△10	16.8	17mm	Sn/Pb	1-2110480-7
△10	15.8	16mm	Sn/Pb	1-2110480-6
△10	14.8	15mm	Sn/Pb	1-2110480-5
△10	13.8	14mm	Sn/Pb	1-2110480-4
△10	12.8	13mm	Sn/Pb	1-2110480-3
△10	11.8	12mm	Sn/Pb	1-2110480-2
△10	10.8	11mm	Sn/Pb	1-2110480-1
YES	9.8	10mm	Sn/Pb	1-2110480-0
△10	8.8	9mm	Sn/Pb	2110480-9
△10	7.8	8mm	Sn/Pb	2110480-8

THIS DRAWING IS A CONTROLLED DOCUMENT. DWG: D. RINGLER 08JUN2009
 CHK: D. TROUT 08JUN2009
 APVD: J. FEDDER 08JUN2009

STE TE Connectivity

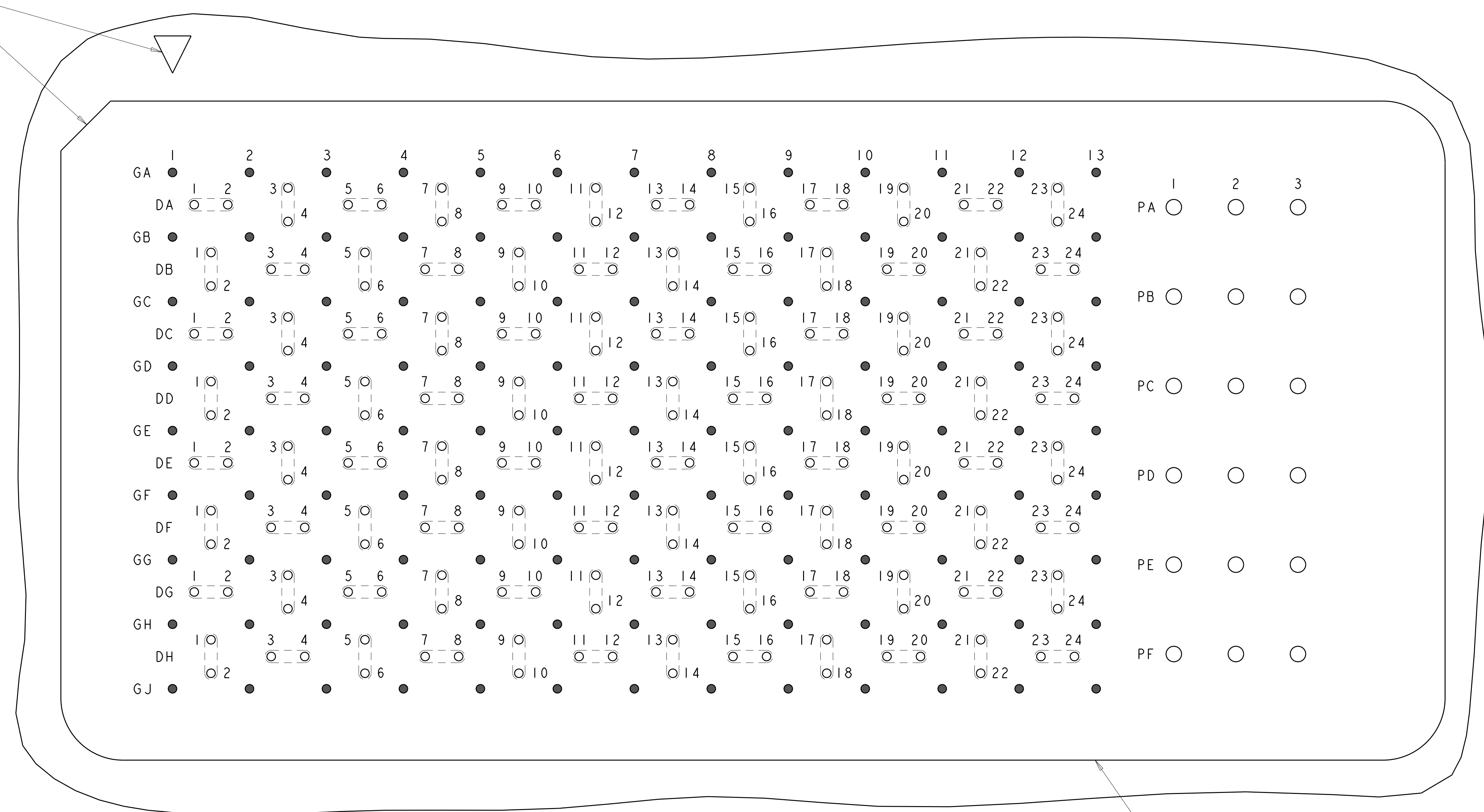
NAME: HEADER ASSEMBLY
 96/309/6P
 STRADA MESA MEZZANINE CONNECTOR

PRODUCT SPEC: 108-2375
 APPLICATION SPEC: 114-13249

SIZE: A100779C=2110480
 SCALE: 6:1 SHEET 2 OF 4 REV 5


LOC	DIST	REVISIONS			
GP	00	REV	DATE	BY	APPD
		1	SEE SHEET 1		

AI CORNER INDICATORS.



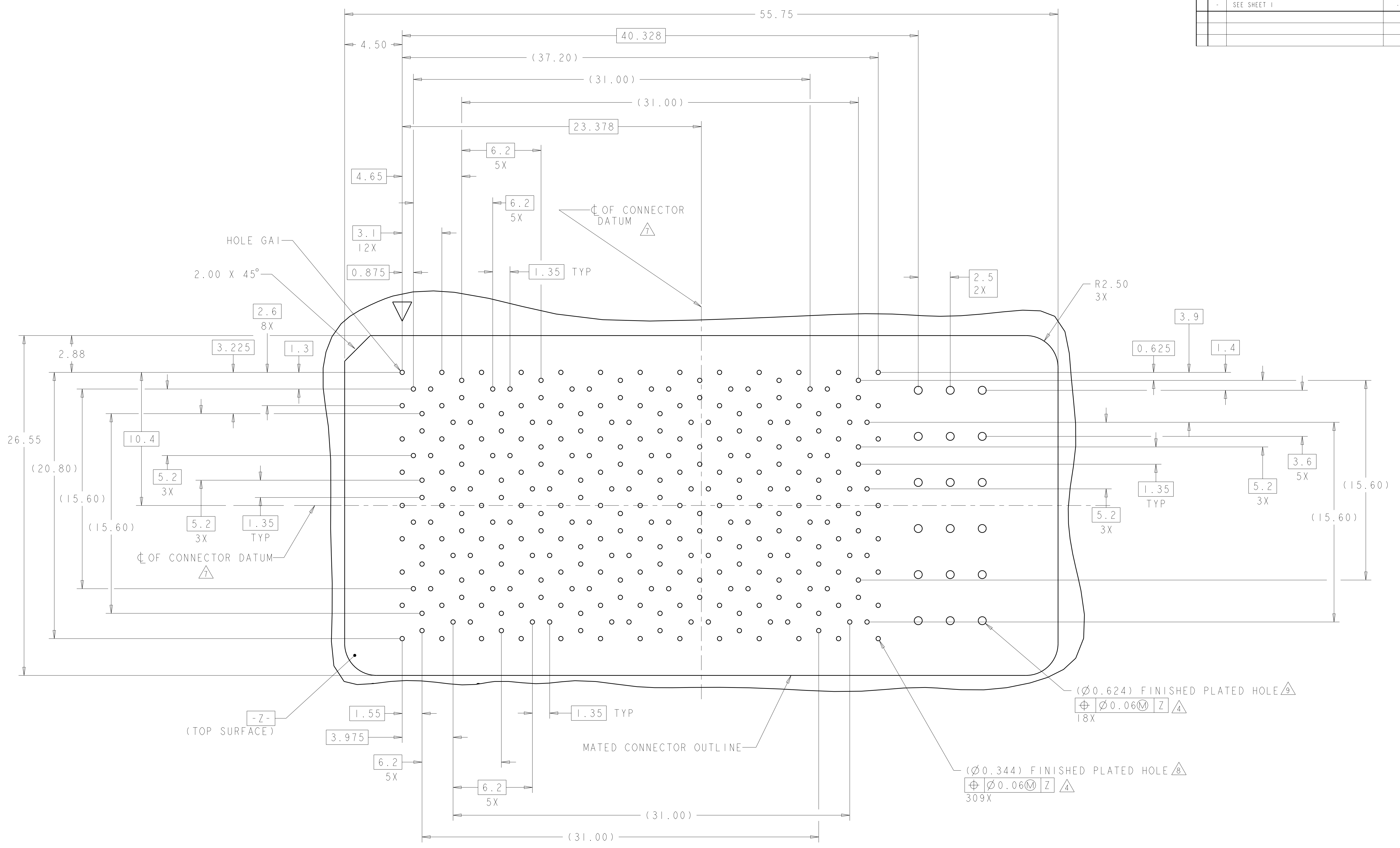
MATED CONNECTOR OUTLINE
 SEE SHEET 4 FOR LOCATION TO HOLES

PCB LAYOUT AND PIN IDENTIFICATION 
 SHOWN FROM CONNECTOR SIDE
 SCALE 10:1

THIS DRAWING IS A CONTROLLED DOCUMENT.		DWN D. RINGLER 08JUN2009	 TE Connectivity
DIMENSIONS: mm		CHK D. TROUT 08JUN2009	
TOLERANCES UNLESS OTHERWISE SPECIFIED:		APVD J. FEDDER 08JUN2009	NAME HEADER ASSEMBLY 96/309/6P
9 PLC ± 3 PLC ±0.13 5 PLC ±0.013 4 PLC ± ANGLES ±1		PRODUCT SPEC 108-2375	RESTRICTED TO
MATERIAL		APPLICATION SPEC 114-13249	SIZE CAGE CODE DRAWING NO A100779C=2110480
FINISH		WEIGHT	CUSTOMER DRAWING
		SCALE 6:1	SHEET 3 OF 4 REV 5

LOC	DIST	REV	DATE	BY	APPD
GP	00				

REVISIONS		DATE	BY	APPD
1	SEE SHEET 1			



PCB HOLE PATTERN
 SHOWN FROM CONNECTOR SIDE
 SCALE 7:1

THIS DRAWING IS A CONTROLLED DOCUMENT.		DWN D. RINGLER 08JUN2009	 TE Connectivity
DIMENSIONS: mm		CHK D. TROUT 08JUN2009	
TOLERANCES UNLESS OTHERWISE SPECIFIED:		APVD J. FEDDER 08JUN2009	NAME HEADER ASSEMBLY 96/309/6P
0 PLC ± 1 PLC ±0.13 3 PLC ±0.013 4 PLC ± ANGLES ±1		PRODUCT SPEC 108-2375	RESTRICTED TO
MATERIAL: -		APPLICATION SPEC 114-13249	SIZE CAGE CODE DRAWING NO A100779C=2110480
FINISH: -		WEIGHT: -	SCALE 6:1 SHEET 4 OF 4 REV 5
CUSTOMER DRAWING			