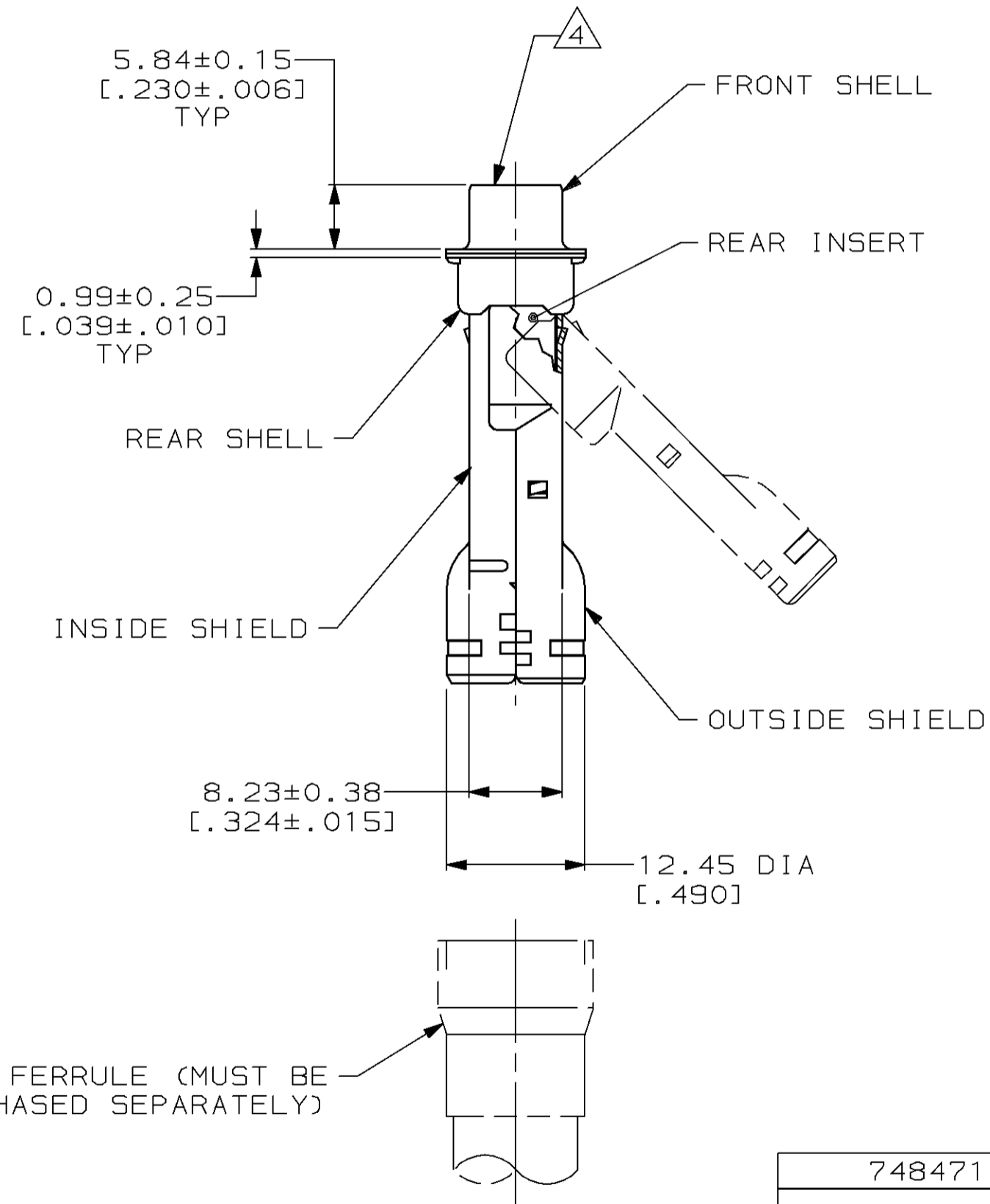
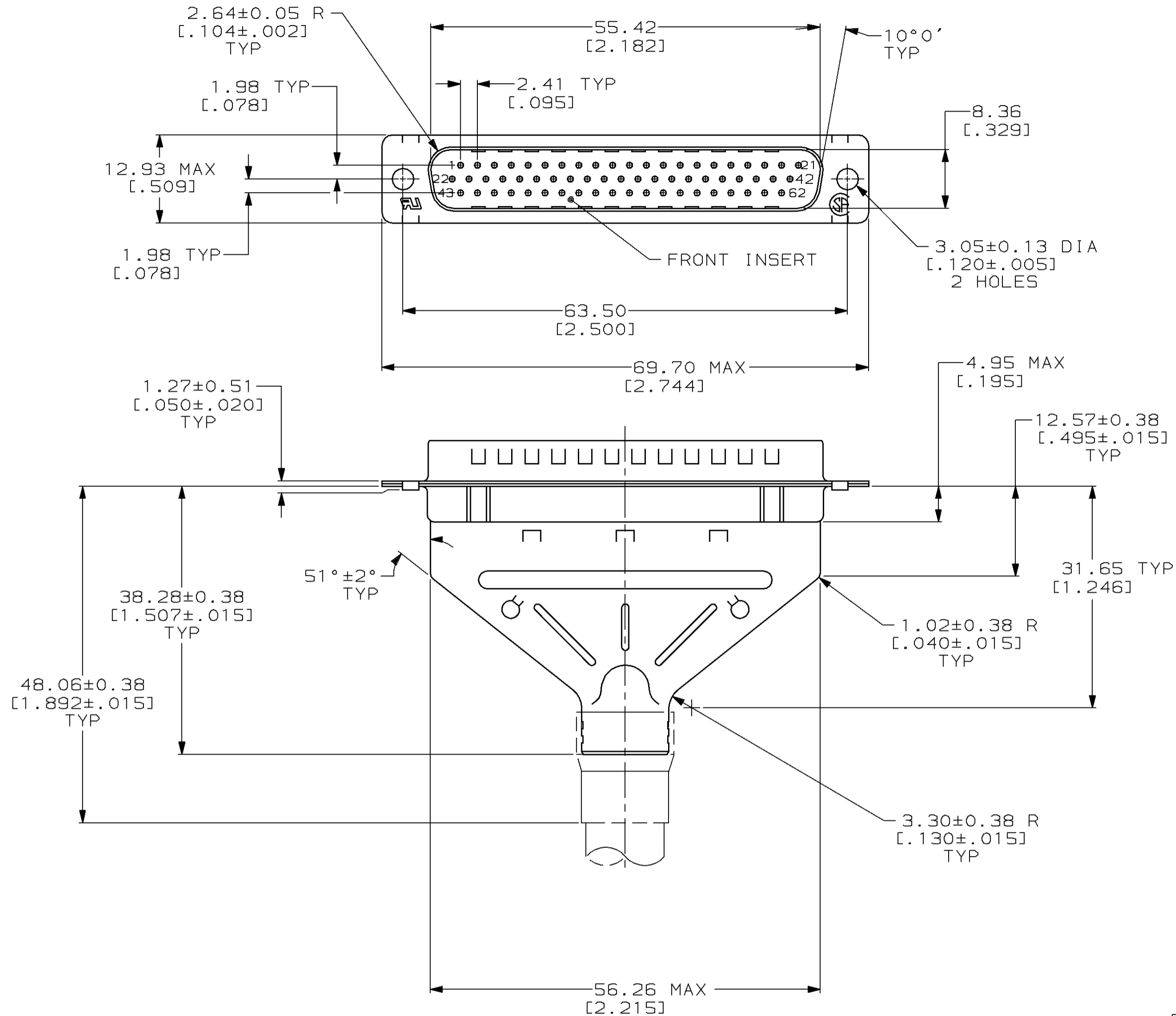


THIS DRAWING IS UNPUBLISHED. RELEASED FOR PUBLICATION  
 BY AMP INCORPORATED. ALL RIGHTS RESERVED.

Loc		DIST		REVISIONS			
P	LTR	DESCRIPTION	DATE	DWN	APVD		
BD	48	B		REDRAWN W/O CHANGE PER EC 0020-1094-95	02 NOV 95	-	-



- ① INSERTS: NYLON, BLACK, UL 94V-0 RATED. SHELLS & SHIELDS: CARBON STEEL PER ASTM A109.
- ② SHELLS & SHIELDS: 5.08µm [0.000200] MIN TIN OVER 2.54µm [0.000100] MIN COPPER.
- ③ TIN PLATING PER MIL-T-10727.
- ④ PLUG ACCEPTS SIZE 22 PIN CONTACTS. (CONTACTS MUST BE PURCHASED SEPARATELY).

748471-1  
 PART NUMBER

THIS DRAWING IS A CONTROLLED DOCUMENT FOR AMP INCORPORATED. IT IS SUBJECT TO CHANGE AND THE CONTROLLING ENGINEERING ORGANIZATION SHOULD BE CONTACTED FOR THE LATEST REVISION.		DWN D. HARDY 02 NOV 95	AMP Incorporated Harrisburg, PA 17105-3608
		CHK R. STONE 17 NOV 95	
DIMENSIONS: mm [INCHES]		APVD C. STINSON 06 DEC 95	NAME PLUG KIT, UNASSEMBLED, SHIELDING HARDWARE, SIZE 4, 62 POSN, HDP-22, AMPLIMITE
TOLERANCES UNLESS OTHERWISE SPECIFIED: 0 PLC ±- 1 PLC ±- 2 PLC ±0.13 [0.005] 3 PLC ±- 4 PLC ±- ANGLES ±0°30' FINISH ② ③		PRODUCT SPEC - APPLICATION SPEC -	
MATERIAL ①		WEIGHT -	SIZE A2
		CUSTOMER DRAWING	CAGE CODE 00779
			DRAWING NO C=748471
			SCALE 2:1
			SHEET 1 OF 1
			REV B