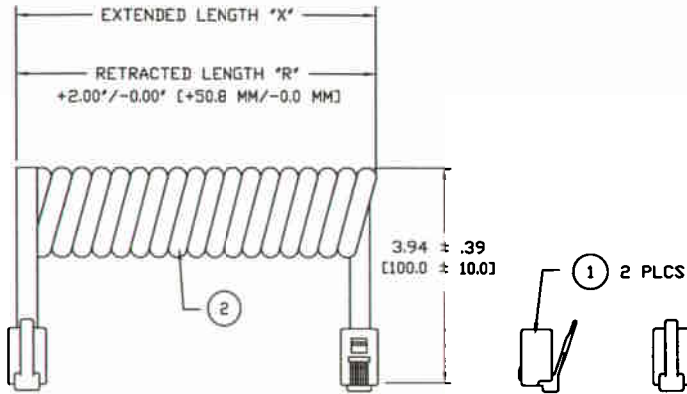


THESE DRAWINGS AND SPECIFICATIONS ARE THE SOLE PROPERTY OF I/O INTERCONNECT INC., U.S.A. AND SHALL NOT BE REPRODUCED, COPIED, OR USED IN ANY MANNER WITHOUT THE PRIOR WRITTEN CONSENT OF I/O INTERCONNECT INC. OR ITS AFFILIATED SUBSIDIARIES.

DWG. NO.	ZONE	REV.	DESCRIPTION	DATE	APPROVED
XX4-50X-D		C	ECN C285	08/20/01	K.C.
		D	ADD NOTE & CHANGE P/N TO ROHS COMPLIANT PER ECN D628	04/22/05	M.G.



WIRE DIAGRAM

P1		P2
1	BLACK	1
2	RED	2
3	GREEN	3
4	YELLOW	4

T.B.D.	GLF-444-144-505-D	GLF-121-410-022	14.0 FT [4.3 M]	34.0 IN [863.6 MM]	WHITE
T.B.D.	GLF-444-144-504-D	GLF-121-410-012	14.0 FT [4.3 M]	34.0 IN [863.6 MM]	BLACK
T.B.D.	GLF-444-144-503-D	GLF-121-410-002	14.0 FT [4.3 M]	34.0 IN [863.6 MM]	SILVER SATIN
T.B.D.	GLF-444-104-502-D	GLF-121-410-021	10.0 FT [3.0 M]	30.0 IN [762.0 MM]	WHITE
H2442-10C-ND	GLF-444-104-501-D	GLF-121-410-011	10.0 FT [3.0 M]	30.0 IN [762.0 MM]	BLACK
T.B.D.	GLF-444-104-500-D	GLF-121-410-001	10.0 FT [3.0 M]	30.0 IN [762.0 MM]	SILVER SATIN
H2441-07C-ND	GLF-444-074-505-D	GLF-121-410-020	7.0 FT [2.1 M]	21.0 IN [533.4 MM]	WHITE
H2442-07C-ND	GLF-444-074-504-D	GLF-121-410-010	7.0 FT [2.1 M]	21.0 IN [533.4 MM]	BLACK
T.B.D.	GLF-444-074-503-D	GLF-121-410-000	7.0 FT [2.1 M]	21.0 IN [533.4 MM]	SILVER SATIN
T.B.D.	GLF-444-054-502-D	GLF-121-410-023	5.0 FT [1.5 M]	17.0 IN [431.8 MM]	WHITE
H2442-05C-ND	GLF-444-054-501-D	GLF-121-410-013	5.0 FT [1.5 M]	17.0 IN [431.8 MM]	BLACK
T.B.D.	GLF-444-054-500-D	GLF-121-410-003	5.0 FT [1.5 M]	17.0 IN [431.8 MM]	SILVER SATIN
DIGI-KEY PART NUMBER	IOI PART NUMBER	IOI CABLE PART NUMBER	EXTENDED LENGTH "X"	RETRACTED LENGTH "R"	COLOR

TABULATION BLOCK

NOTES: UNLESS OTHERWISE SPECIFIED.

- TEST CABLE FOR ALL OPENS & SHORTS.
- PACKAGE CABLE ASSEMBLY INDIVIDUALLY IN PLASTIC BAG. PACKAGE INDIVIDUAL BAG PER LOT NUMBER QUANTITIES.
- MARK OUTSIDE OF SHIPPING BOX WITH CUSTOMER PART NUMBER.
- PLACE BAR CODE LABEL ON THE OUTSIDE OF EACH SHIPPING BOX LABEL DETAIL SEE DWG 090-990-001.
- ALL METRICAL SHOULD BE ROHS COMPLIANT.

ITEM	QTY	MFG.	IOI PART NO.	DESCRIPTION
2	"X" FT	IOI	SEE "TABULATION BLOCK"	MODULAR COIL CABLE, 26 AWG (7/34) BARE COPPER, 4 CONDUCTOR, UNSHIELDED, PVC JACKET, (SEE TABULATION BLOCK FOR COLOR). ROHS COMPLIANT.
1	2 PCS	IOI	GLF-325-441-50X	CONNECTOR, MODULAR PLUG, 4 POSITION, 4 CONDUCTOR, 50u" Au, FLAT TYPE EXIT. ROHS COMPLIANT.

THIRD ANGLE PROJECTION

UNLESS OTHERWISE NOTED:
1) DIMENSIONS ARE IN INCHES (MILLIMETER)
2) TOLERANCES:
XXX ± 0.25 [6.35]

I/O INTERCONNECT
SANTA ANA, CALIFORNIA

TITLE: 4P4C/4P4C COIL CABLE, REVERSE STYLE, CABLE ASSEMBLY
P/N: H2441-XXC-ND

PART NO: GLF-444-XX4-50X-D
DWG NO: GLF-444-XX4-50X-D

CUSTOMER: DIGI-KEY
SCALE: NONE

REV. D
SHEET 1 OF 1

CABLE ASSEMBLY PARTS LIST