

High Frequency Ceramic Solutions


900 MHz Wide Band Low Pass Filter

P/N 0900LP15B0063

Detail Specification: 3/16/2018

Page 1 of 3

General Specifications

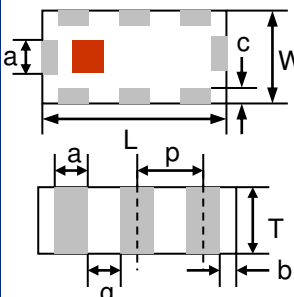
Frequency (MHz)	863 - 960	Recommended Storage Conditions (unmounted/unused product on T&R)	+5 ~ +35 °C, Humidity 45~75%RH
Insertion Loss (dB)	0.7 Typ. (0.9 max)		
2Fo Attenuation (1726-1856MHz)	50 Typ. (46 Min.)		
3Fo Attenuation (2589-2784MHz)	59 Typ. (50 Min.)		
Power Capacity	3W max. (CW)		
Operating Temperature	-40 to +85°C		
Storage Temperature	-40 to +85°C		

Part Number Explanation

P/N Suffix	Packing Style	Bulk	Suffix = S	0900LP15B0063S
		T & R	Suffix = E	0900LP15B0063E (Reel Size: 4000pcs)
	Termination style	100% Tin	Suffix = None	0900LP15B0063(E/S)
	50Ω SMA Connector Eval Board		0900LP15B0063-EB1SMA (orderable p/n)	

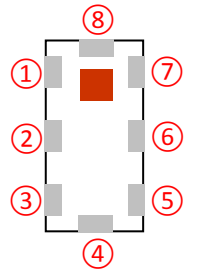
Mechanical Dimensions

	In	mm
L	0.079 ± 0.004	2.00 ± 0.10
W	0.049 ± 0.004	1.25 ± 0.10
T	0.037 ± 0.004	0.95 ± 0.10
a	0.012 ± 0.004	0.30 ± 0.10
b	0.008 +.004/-0.006	0.20 +0.1/-0.15
c	0.012 ± 0.004	0.30 ± 0.10
g	0.014 ± 0.004	0.35 ± 0.10
p	0.026 ± 0.002	0.65 ± 0.05

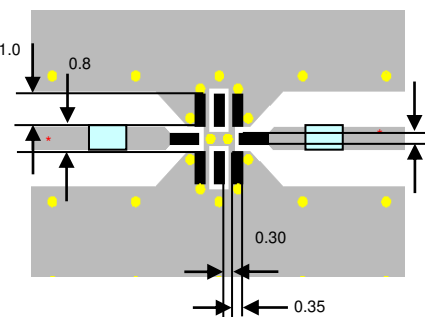


Terminal Configuration

No.	Function
1	GND
2	NC
3	GND
4	I/O
5	GND
6	NC
7	GND
8	I/O



Mounting Considerations



Solder Resist
 Land
 Through-hole (φ0.3)
 If DC Blocking is required, use a 10-12pF capacitor in the I/Os

*Trace must be designed to a 50Ω characteristic impedance based on PCB material and thickness.

Want the layout file or need us to revise your layout to make sure is correct? Send us a message at:
www.johansontechnology.com/ask-a-question

Johanson Technology, Inc. reserves the right to make design changes without notice.

All sales are subject to Johanson Technology, Inc. terms and conditions.



www.johansontechnology.com
 4001 Calle Tecate • Camarillo, CA 93012 • TEL 805.389.1166 FAX 805.389.1821

Ver. 1.3

2018 Johanson Technology, Inc. All Rights Reserved

High Frequency Ceramic Solutions

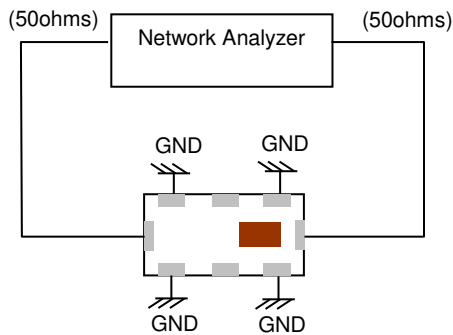
900 MHz Wide Band Low Pass Filter

P/N 0900LP15B0063

Detail Specification: 3/16/2018

Page 2 of 3

Measuring Diagram



Click here Order the SMA-ready Evaluation Board p/n 900LP15B0063-EB1SMA:

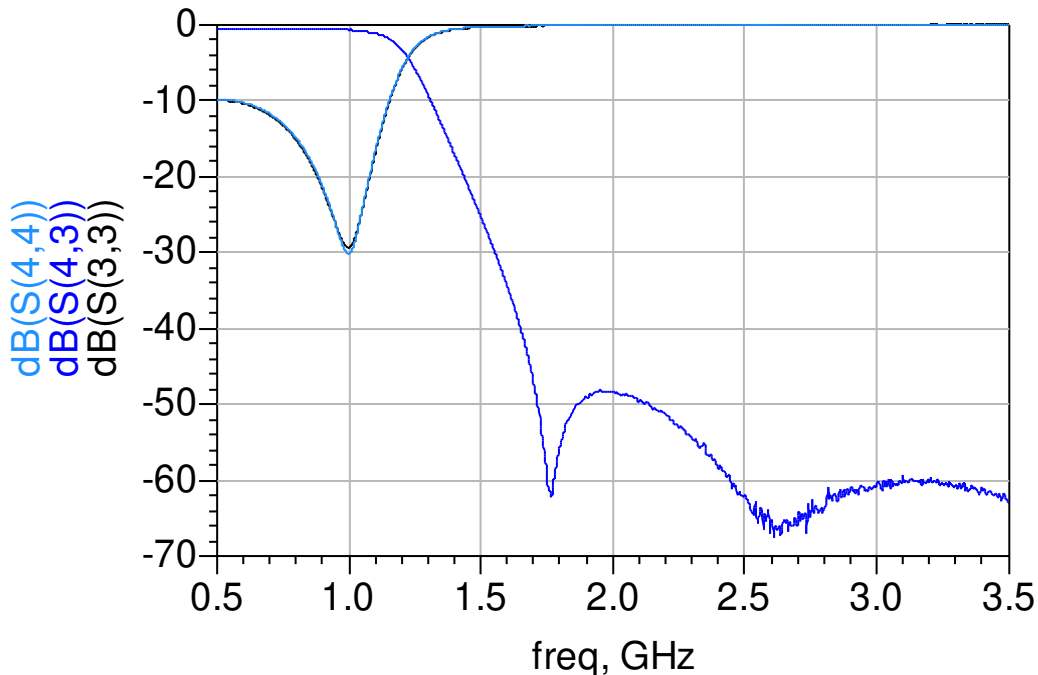
www.johansontechnology.com/request-a-

Want the layout file of this? Send us a message at:

www.johansontechnology.com/ask-a-question

Let us help with your filter (or Johanson antenna) layout for best performance and send us a message by clicking on the link above

Typical Electrical Performance (T=25°C)



Johanson Technology, Inc. reserves the right to make design changes without notice.
All sales are subject to Johanson Technology, Inc. terms and conditions.

JOHANSON
TECHNOLOGY



www.johansontechnology.com

4001 Calle Tecate • Camarillo, CA 93012 • TEL 805.389.1166 FAX 805.389.1821

Ver. 1.3

2018 Johanson Technology, Inc. All Rights Reserved

High Frequency Ceramic Solutions

900 MHz Wide Band Low Pass Filter

P/N 0900LP15B0063

Detail Specification: 3/16/2018

Page 3 of 3

Packaging information

www.johansontechnology.com/tape-reel-packaging

Soldering Information

www.johansontechnology.com/typical-soldering-profile

RoHS Compliance

www.johansontechnology.com/rohs-compliance

MSL Info

www.johansontechnology.com/msl-rating

To Download Measured S-parameters for Evaluation and Simulation:

www.johansontechnology.com/low-pass-filters

For layout review contact our Applications Team at:

www.johansontechnology.com/ask-a-question

Mini SMD Chip Antennas at:

www.johansontechnology.com/antennas

Johanson Technology, Inc. reserves the right to make design changes without notice.
All sales are subject to Johanson Technology, Inc. terms and conditions.



www.johansontechnology.com
4001 Calle Tecate • Camarillo, CA 93012 • TEL 805.389.1166 FAX 805.389.1821
Ver. 1.3 2018 Johanson Technology, Inc. All Rights Reserved