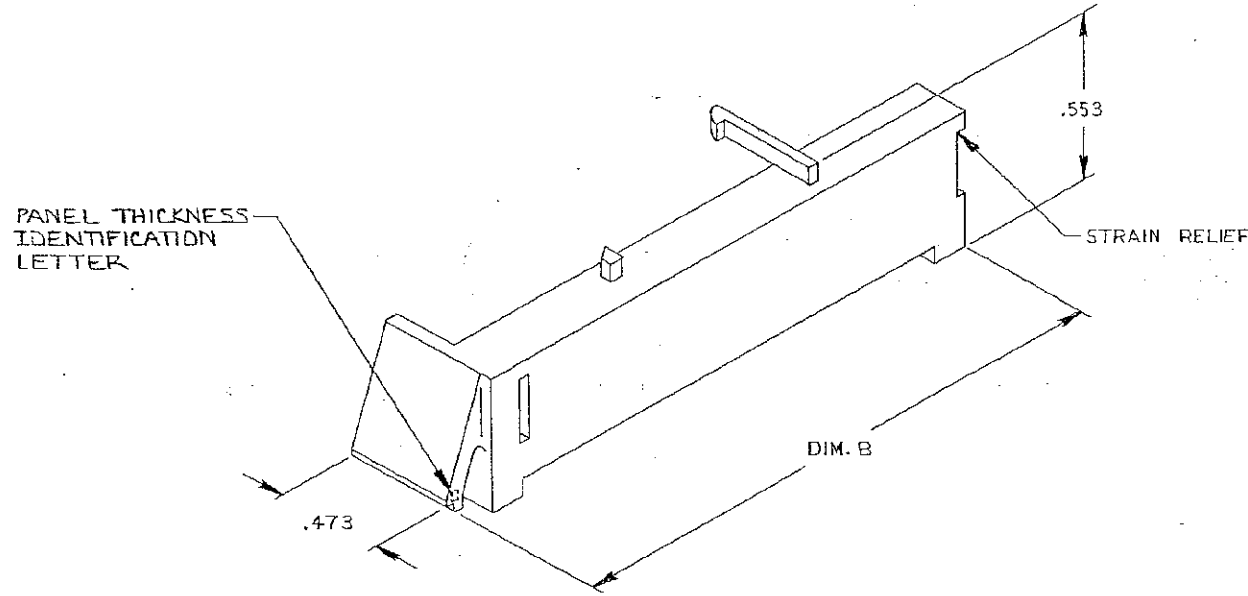


DRAWING MADE IN THIRD ANGLE PROJECTION

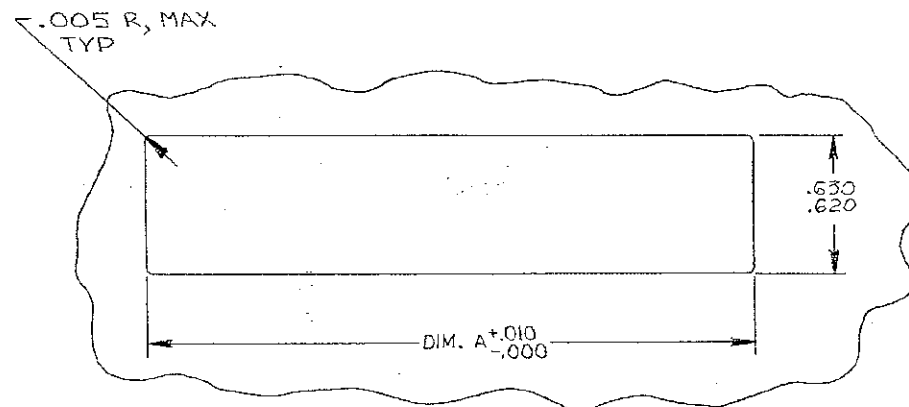
© COPYRIGHT 1979 BY AMP INCORPORATED, HARRISBURG, PA.
ALL INTERNATIONAL RIGHTS RESERVED. AMP INCORPORATED PRODUCTS
COVERED BY U. S. AND FOREIGN PATENTS AND/OR PATENTS PENDING.

LOC DIST
AA 20

REVISIONS					
P	F	ZONE/LTR	DESCRIPTION	DATE	APPROVED
G			OBSOLETE -1; ECN AA-5942	11-18	<i>[Signature]</i>
H			OBSOLETE -10; 0515-0319-02	1-03	RM



- 1. MATL: THERMOPLASTIC (NORYL).
- 2. TWO STRAIN RELIEFS REQUIRED PER ASSEMBLY.
- 3. .928 MAX HEIGHT AFTER COVERS HAVE BEEN ASSEMBLED TO CONNECTOR.
- 4. UNLESS OTHERWISE SPECIFIED ALL DIMENSIONS ARE FOR REFERENCE ONLY.



SUGGESTED PANEL CUTOUT

	PANEL THICKNESS IDENTIFICATION LETTER	DIM. B	POSN	DIM. A	PANEL THICKNESS	COLOR	PART NO
OBSOLETE	B	1.407	24	1.575	.090	BLACK	1-552962-0
	B	2.512	50	2.700	.090	BLACK	552962-3

UNLESS OTHERWISE SPECIFIED DIMENSIONS ARE IN INCHES. TOLERANCES ON: DECIMALS ± # ANGLES ± #	CONTRACT NO 4-2-79		AMP INCORPORATED Harrisburg, Pa.	
	DR <i>[Signature]</i>	NAME STRAIN RELIEF, SNAP-IN, CHAMP-LOK		
MATERIAL 	CHK <i>[Signature]</i> 4/3/79	APPD <i>[Signature]</i> 4/1/79		
	APPD <i>[Signature]</i> 6/3/79	DSGN APPD		
FINISH <i>[Symbol]</i>	OTHER APPD	SIZE C	CODE IDENT NO 00779	DRAWING NO 552962
		SCALE 2-1	SHEET 1 OF 1	

WAS 1210-78-141

552962