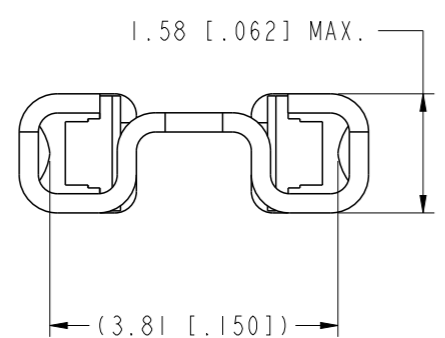
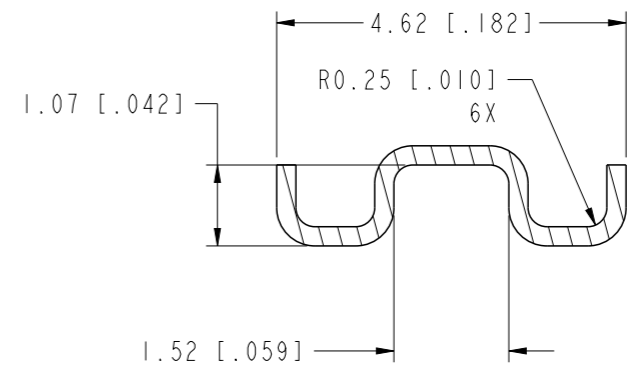
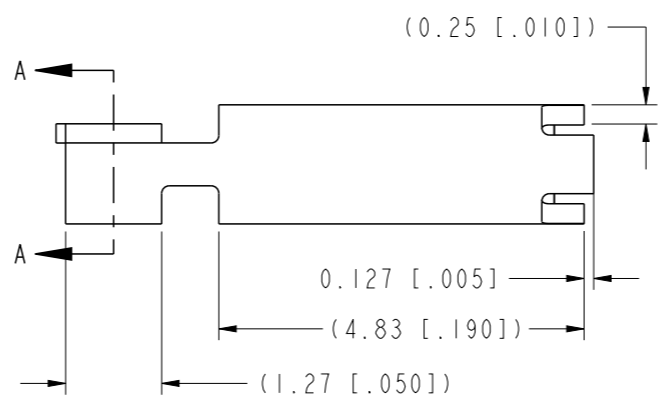


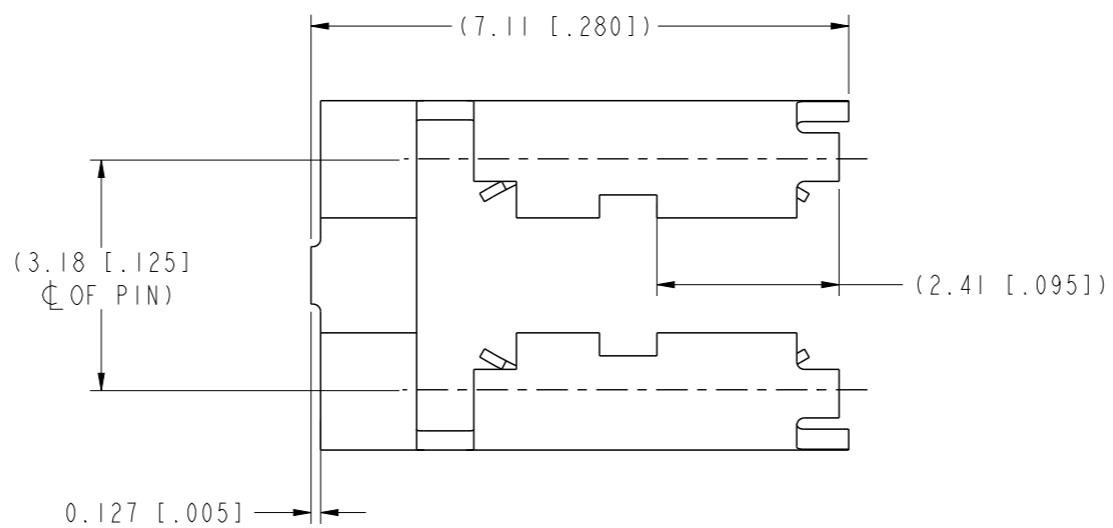
PRODUCT NUMBER	TERMINAL BODY	TERMINAL SPRING
76113-001	1/4 HARD BRASS w/40u"/1.02u Au OR GXT IN CONTACT AREA	.0048/.122 THK. HEAT TREATED Be-Cu w/ GOLD FLASH
76113-002	1/2 HARD BRASS W/TIN-LEAD PLATING	.0048/.122 THK. HEAT TREATED Be-Cu w/ TIN PLTG.
76113-003	OBSOLETE	OBSOLETE
76113-004	1/4 HARD Cu Ni w.001/.03 MIN. GOLD DOT	0.0048/.122 THK. HEAT TREATED Be-Cu w/ GOLD FLASH
76113-101	1/4 HARD BRASS w/40u"/1.02u Au OR GXT IN CONTACT AREA	.0048/.122 THK. HEAT TREATED Be-Cu w/ GOLD FLASH
76113-102	1/4 HARD BRASS w/40u"/1.02u Au OR GXT IN CONTACT AREA,GOLD FLASH IN OTHER AREA	.0048/.122 THK. HEAT TREATED Be-Cu w/ GOLD FLASH
76113-103	1/4 HARD BRASS w/GOLD FLASH	.0048/.122 THK. HEAT TREATED Be-Cu w/ GOLD FLASH



DISTANCE BETWEEN GOLD DOTS WHEN APPLICABLE



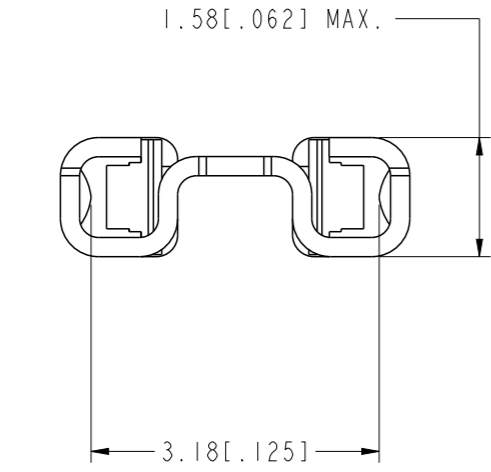
SECTION A-A



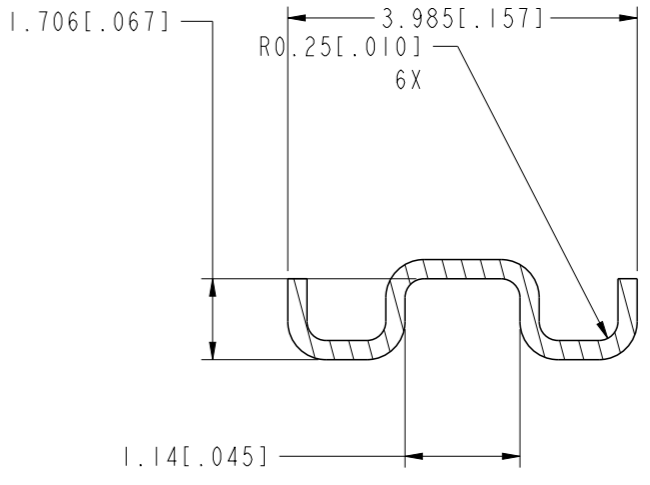
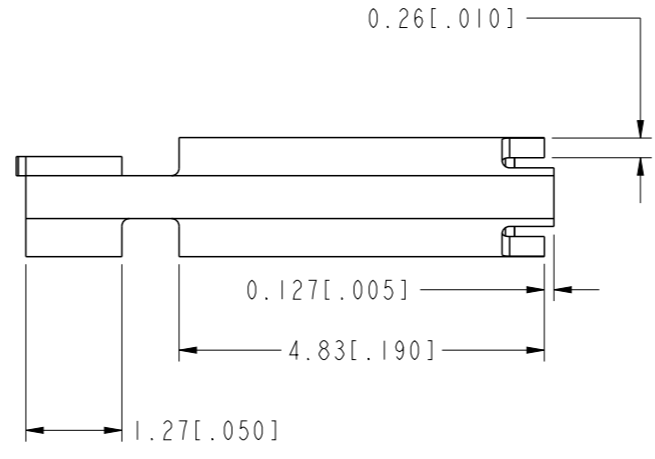
NOTES:

1. ADD "LF" SUFFIX AT THE END OF PART NUMBER FOR LEAD FREE OPTION
2. THIS PRODUCT MEETS EUROPEAN UNION DIRECTIVES AND OTHER COUNTRY REGULATION AS DESCRIBED IN GS-22-008
3. THE LEAD FREE PLATING FOR -002LF WILL BE TERMINAL BODY: 1/2 HARD BRASS W/PURE TIN PLATING TERMINAL SPRING: .0048/.122 THK THREAD Be-Cu w/PURE TIN

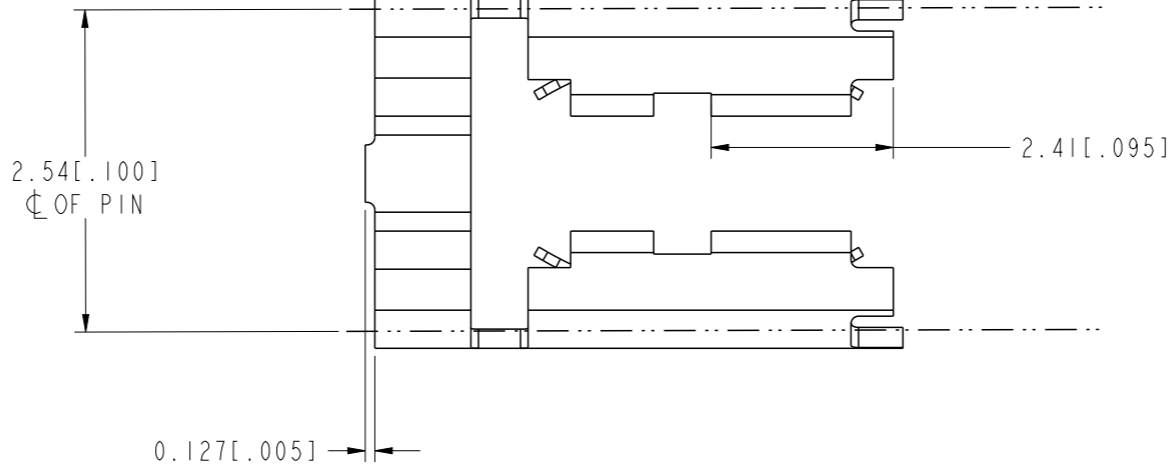
spec ref	dr	Yong Huang	2010/10/27	projection	INCH / MM	size	A3	scale	10:1
tolerance std	eng	Zheng-Kun Hu	2015/03/04			ecn no	ELX-N-19865-1	rel level	Released
TOLERANCES UNLESS OTHERWISE SPECIFIED									
surface $\sqrt{3.2}$	linear	0.X	± 0.3		.125/3.18 C.C.	dwg no	76113	rev	F
		0.XX	± 0.13						
		0.XXX	± 0.013						
	angular	0°	$\pm 2^\circ$	www.fci.com	cat. no.	-	Product - Customer Drw	sheet 1 of 2	



DISTANCE BETWEEN GOLD DOTS WHEN APPLICABLE



SECTION A-A



Copyright FCI.

spec ref		dr	Yong Huang	2010/10/27	projection	INCH / MM	size	A3	scale	10:1	
tolerance std		eng	Zheng-Kun Hu	2015/03/04			ecn no		ELX-N-19865-1		
TOLERANCES UNLESS OTHERWISE SPECIFIED		chr	-	-			product family		MNI-JUMP		rel level
surface	3.2	linear	0.X	±0.3		.125/3.18 C.C. JUMPER	dwg no 76113	rev F	cat. no. - Product - Customer Drw		sheet 2 of 2
			0.XX	±0.13					STATUS: Released		Printed: Mar 11, 2015
			0.XXX	±0.013					PDS: Rev :F		
		angular	0°	±2°	www.fci.com						