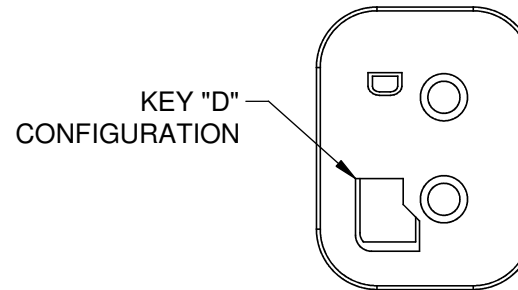
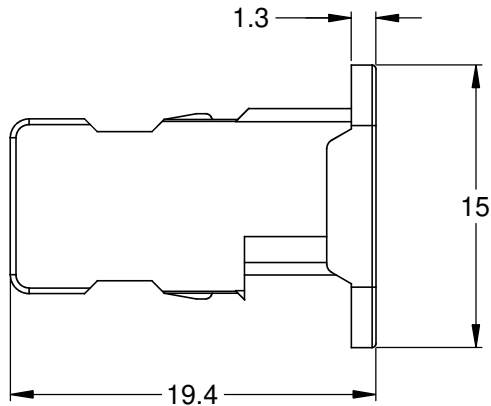
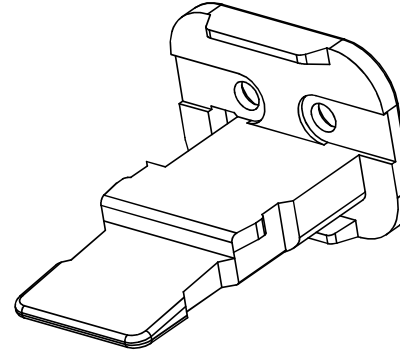
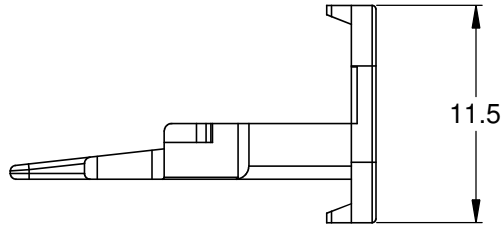


| REVISIONS |     |                        |           |       |      |
|-----------|-----|------------------------|-----------|-------|------|
| REV       | ECO | DESCRIPTION            | DATE      | BY    | APPR |
| A4        |     | RELEASE NEW DWG FORMAT | 26/JUN/14 | JARRY |      |



NOTES: UNLESS OTHERWISE SPECIFIED

1. MATERIAL: THERMOPLASTIC; COLOR: BROWN
2. RoHS COMPLIANT
3. CAVITIES: 2
4. KEYED: KEY "D" CONFIGURATION
5. USE WITH CONNECTORS AT06-2S\*  
( \* = MODIFICATIONS AND/OR COLORS )
6. ALL DIMENSIONS ARE FOR REFERENCE USE ONLY.

| AW2S-D   |             |  |                   |  |                            |
|--|-------------|--|-------------------|--|----------------------------|
| QUANTITY   | PART NUMBER | DESCRIPTION  |                   |  | ITEM                       |
| <b>MATERIALS LIST</b>  |             |  |                   |  |                            |
| UNLESS OTHERWISE SPECIFIED<br>1) All dimensions are in metric(mm).<br>2) Tolerances are as follows:<br>1 PL DEC ±0.30<br>2 PL DEC ±0.15<br>3 PL DEC ±0.08<br>3) Note reference = |             | SIGNATURES<br>DRAWN: JARRY<br>CHECKED:<br>ENGINEER:<br>APPROVAL:   |                   | DATE<br>26/JUN/14  |                            |
| MATERIAL SPECIFICATIONS:   |             | CUSTOMER:  |                   | <h1 style="margin: 0;">Amphenol</h1> <p style="margin: 0;">Sine Systems - www.amphenol-sine.com<br/>44724 Morley Drive<br/>Clinton Township, MI 48036</p> <p style="margin: 0;"><b>S-WEDGELOCK, 2 POSITION,<br/>D - KEY, AT SERIES</b></p> |                            |
| PROCESS SPECIFICATIONS:  |             | THIS DRAWING IS SUPPLIED FOR INFORMATION ONLY. DESIGN FEATURES, SPECIFICATIONS AND PERFORMANCE DATA SHOWN HEREON ARE THE PROPERTY OF THE AMPHENOL CORPORATION. NO RIGHTS OF REPRODUCTION ARE IMPLIED. ALL DIMENSIONS ARE SUBJECT TO NORMAL MANUFACTURING VARIATIONS. |                   |  |                            |
| NEXT ASSY:   |             | SIZE<br><b>A</b>   | TYPE<br><b>C-</b> | DWG NO:<br><b>AW2S-D</b>   | REVISION<br><b>A4</b>      |
|  |             |  |                   | SCALE:<br><b>NONE</b>  | SHEET <b>1</b> OF <b>1</b> |