



Low Current HEV Fuses



OHEV040.ZXBD

Low Current HEV Fuse

The LC HEV fuse is designed for protection of high-voltage accessory circuits in electric and hybrid electric vehicles.

Specifications

Voltage Rating (10A, 15A, 20A, 30A): 450 VDC
 Voltage Rating (40A): 425 VDC

Note: The OHEV040.ZXBD is rated at 450 VDC

Interrupting Rating (10A, 15A, 20A, 30A): 10kA @ 450 VDC

Interrupting Rating (40A): 10kA @ 425 VDC

Operating Temperature Range: -40°C to +125°C

Ordering Information

| Part Number | Termination | Package Size | % of Rating | Opening Time Min / Max (s) 10A | Opening Time Min / Max (s) 15A, 20A, 30A | Opening Time Min / Max (s) 40A |
|----------------|-------------------|--------------|-------------|--------------------------------|--|--------------------------------|
| OHEVxxx.ZXC | Cartridge | 240 | 100 | 100 hrs / - | 100 hrs / - | 100 hrs / - |
| OHEVxxx.ZXISO | Bolt Down (ISO) | 240 | 110 | 4 hrs / - | 4 hrs / - | - |
| OHEVxxx.ZXPY | Blade | 240 | 135 | 100 / 3600 | 150 / 3600 | 150 / 3600 |
| OHEVxxx.ZXBD | Bolt Down (Axial) | 240 | 150 | 10 / 1000 | 10 / 1000 | 10 / 1000 |
| OHEVxxx.ZXPCB | PCB Mount | 240 | 200 | 0.5 / 100 | 0.5 / 100 | 0.5 / 100 |
| OHEVxxx.ZXPCBL | PCB Mount (Long) | 240 | 300 | 0.1 / 15 | 0.1 / 15 | 0.1 / 15 |
| | | | 500 | 0.05 / 1 | 0.05 / 1 | 0.05 / 1 |

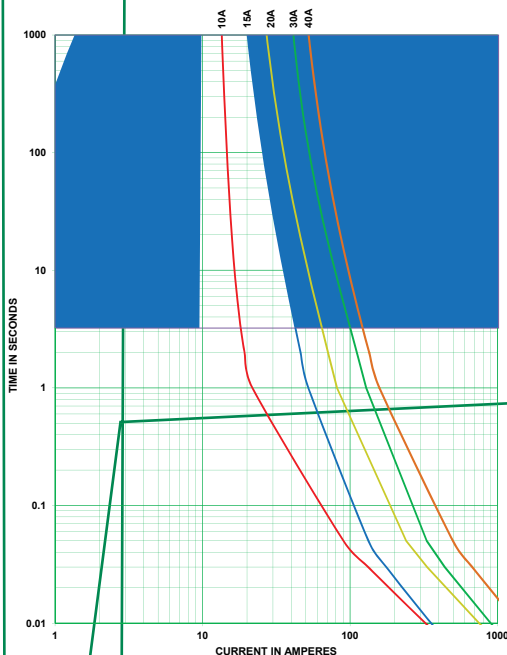
Time-Current Characteristics

Ratings

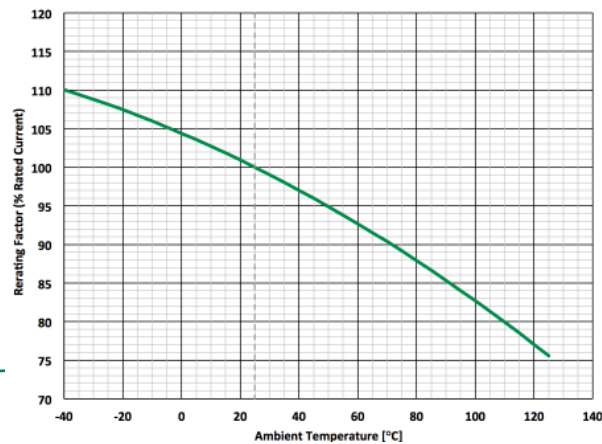
| Part Number | Current Rating (A) | Color Code | Typical Voltage Drop at 70% I _R (mV) | Maximum Voltage Drop Spec at 100% I _R (mV) | Typical Cold Resistance (mΩ) | Minimum Melting I ² t (A ² s) |
|-------------|--------------------|------------|---|---|------------------------------|---|
| OHEV010.xxx | 10 | Red | 114 | 300 | 12.8 | 255 |
| OHEV015.xxx | 15 | Blue | 96 | 200 | 7.9 | 133 |
| OHEV020.xxx | 20 | Yellow | 79 | 200 | 5.0 | 268 |
| OHEV030.xxx | 30 | Green | 67 | 200 | 2.7 | 993 |
| OHEV040.xxx | 40 | Orange | 69 | 200 | 2.0 | 1495 |

(Average Initial Measurements)

Time-Current Characteristic Curves



Temperature Rerating Curve



High Voltage Fuses

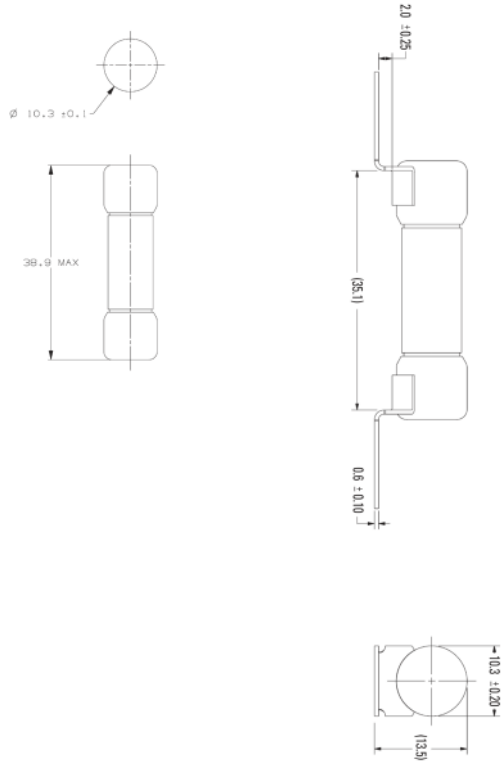


Low Current HEV Fuse

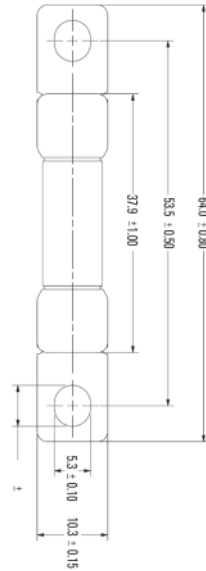
Dimensions

Dimensions in mm

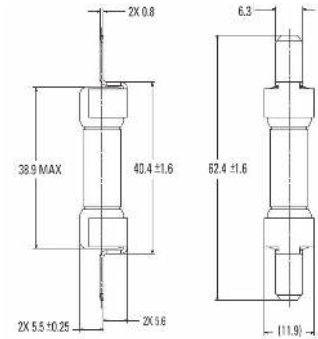
ZXC Cartridge



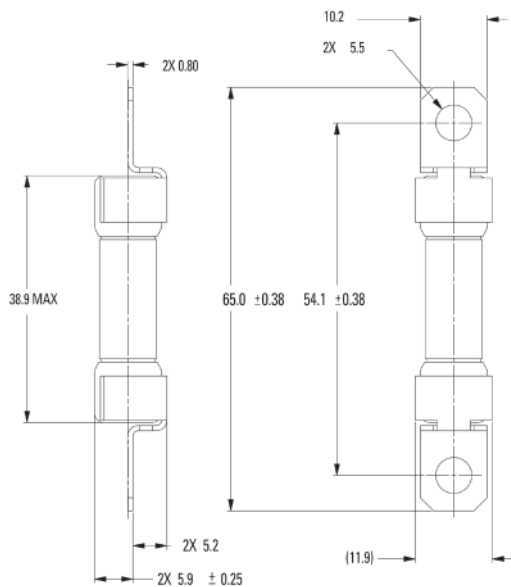
ZXISO Bolt Down (ISO)



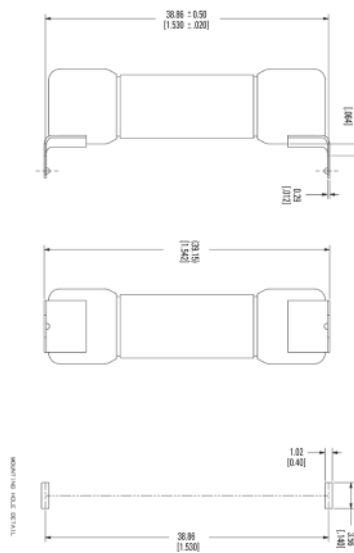
ZXPY Blade



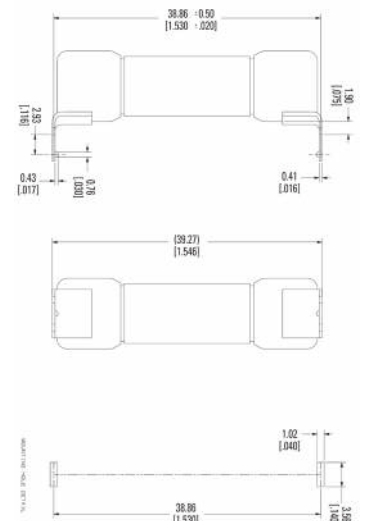
ZXBD Bolt Down (Axial)



ZXPCB PCB Mount



ZXPCBL PCB Mount (Long)



Littelfuse products are not designed for, and shall not be used for, any purpose (including, without limitation, automotive, military, aerospace, medical, life-saving, life-sustaining or nuclear facility applications, or surgical implant into the body, or any other application in which the failure or lack of desired operation of the product may result in personal injury, death, or property damage) other than those expressly set forth in applicable Littelfuse documentation. Warranties granted by Littelfuse shall be deemed void for products used for any purpose not expressly set forth in applicable Littelfuse documentation. Littelfuse shall not be liable for damages, including consequential damages, arising out of products used in applications not expressly intended by Littelfuse as set forth in applicable Littelfuse documentation. The sale and use of Littelfuse products is subject to Littelfuse Terms and Conditions, which are incorporated by reference into this document.