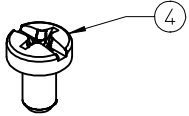
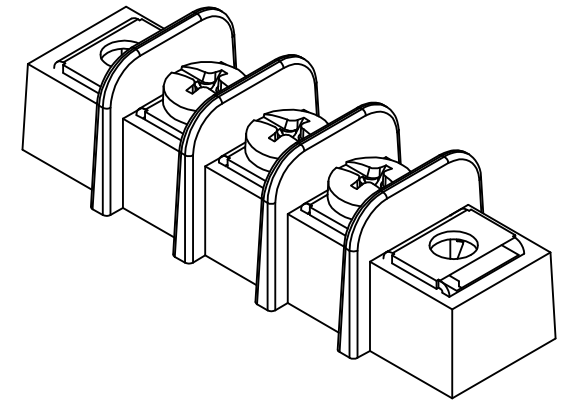
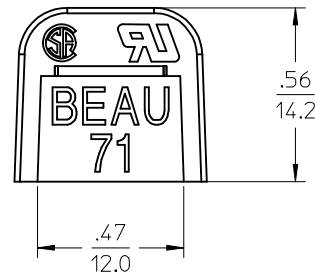
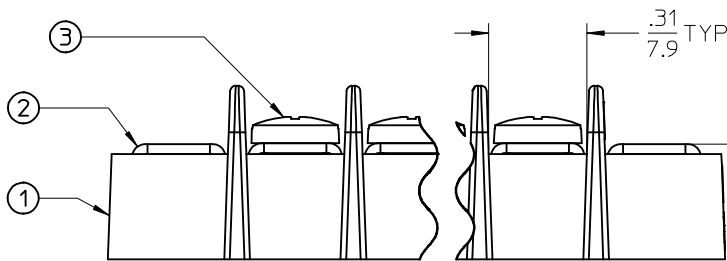
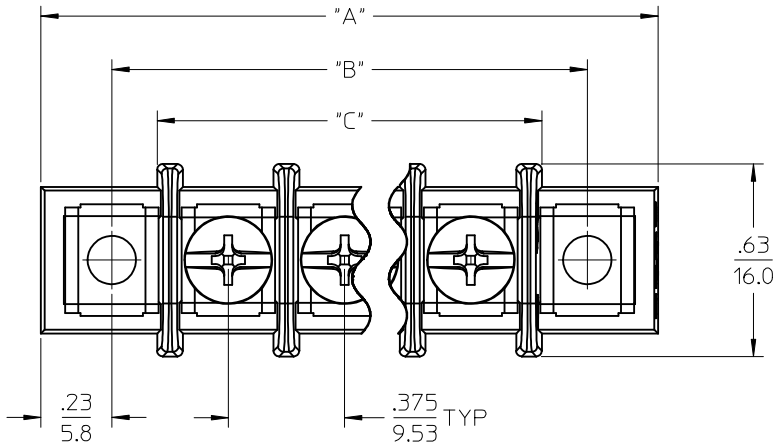
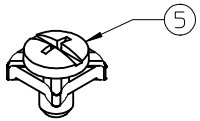


REF. -49 OPT. SCREW
(WHERE APPLICABLE)



REF. -50 OPT. SCREW
(WHERE APPLICABLE)



PART NUMBER LEGEND

71-1-XX-XX

SERIES

TERMINAL STYLE

CIRCUIT QTY (2 TO 26)

OPTION (-49 BRASS,PHIL/SLOT SCREW)

(-50 CLAMP WASHER,PHIL/SLOT SCREW)

NOTES:

1. MATERIAL: SEE TABLE.
2. FINISHES: SEE TABLE.
3. PRODUCT SPECIFICATION: PS-38710-001
4. "XX" REFERS TO NUMBER OF CIRCUITS.
5. ASSEMBLY IS RgHS COMPLIANT.

| ITEM | QTY | DESCRIPTION | MATERIAL | FINISH |
|------|-----|--|-----------------|--------|
| 5 | XX | #6-32 PH/SLOTTED SCREW W/WSHR (OPTION -50) | STEEL | ZINC |
| 4 | XX | #6-32 PH/SLOTTED SCREW (OPTION -49) | BRASS | NICKEL |
| 3 | XX | #6-32 PH/SLOTTED SCREW (STANDARD) | STEEL | ZINC |
| 2 | XX | MOUNTING PLATE | BRASS | NICKEL |
| 1 | 1 | INSULATOR | POLYESTER (PBT) | BLACK |

RELEASED
EC NO: ICG2016-0008
DRAWN: SVMURTHY 2015/06/30
CHKD: RSTONE 2015/06/30
APPR: JFMURPHY 2016/07/11

QUALITY SYMBOLS
▽/0
▽/0
▽/0

GENERAL TOLERANCES (UNLESS SPECIFIED)

| | mm | INCH |
|----------|--------|---------|
| 4 PLACES | ± .005 | ± .0005 |
| 3 PLACES | ± .01 | ± .001 |
| 2 PLACES | ± 0.13 | ± .01 |
| 1 PLACE | ± 0.3 | ± .0125 |
| 0 PLACE | ± .005 | ± .0005 |

ANGULAR ± 2°
DRAFT WHERE APPLICABLE
MUST REMAIN WITHIN DIMENSIONS

DIMENSION STYLE
IN/MM

| DRAWN BY | DATE |
|-------------|------------|
| SVMURTHY | 2015/06/30 |
| CHECKED BY | DATE |
| RSTONE | 2015/06/30 |
| APPROVED BY | DATE |
| JFMURPHY | 2016/07/11 |

MATERIAL NO.
SEE SHEET 2

SCALE
2:1

DESIGN UNITS
INCH

THIRD ANGLE PROJECTION

TITLE
9.53MM [.375"] SR BTS
NO TERMINAL, MTG ENDS

molex

DOCUMENT NO.
SD-38710-0202

SHEET NO.
1 OF 2

THIS DRAWING CONTAINS INFORMATION THAT IS PROPRIETARY TO MOLEX INCORPORATED AND SHOULD NOT BE USED WITHOUT WRITTEN PERMISSION

| # OF CIRCUITS "X" | DIM "A" | | DIM "B" | | DIM "C" | |
|-------------------|---------|-----|---------|-----|---------|-----|
| | IN | MM | IN | MM | IN | MM |
| 2 | 1.58 | 40 | 1.13 | 29 | .83 | 21 |
| 3 | 1.96 | 50 | 1.50 | 38 | 1.21 | 31 |
| 4 | 2.33 | 59 | 1.88 | 48 | 1.58 | 40 |
| 5 | 2.71 | 69 | 2.25 | 57 | 1.96 | 50 |
| 6 | 3.08 | 78 | 2.63 | 67 | 2.33 | 59 |
| 7 | 3.46 | 88 | 3.00 | 76 | 2.71 | 69 |
| 8 | 3.83 | 97 | 3.38 | 86 | 3.08 | 78 |
| 9 | 4.21 | 107 | 3.75 | 95 | 3.46 | 88 |
| 10 | 4.58 | 116 | 4.13 | 105 | 3.83 | 97 |
| 11 | 4.96 | 126 | 4.50 | 114 | 4.21 | 107 |
| 12 | 5.33 | 135 | 4.88 | 124 | 4.58 | 116 |
| 13 | 5.71 | 145 | 5.25 | 133 | 4.96 | 126 |
| 14 | 6.08 | 154 | 5.63 | 143 | 5.33 | 135 |
| 15 | 6.46 | 164 | 6.00 | 152 | 5.71 | 145 |
| 16 | 6.83 | 173 | 6.38 | 162 | 6.08 | 155 |
| 17 | 7.21 | 183 | 6.75 | 171 | 6.46 | 164 |
| 18 | 7.58 | 193 | 7.13 | 181 | 6.83 | 174 |
| 19 | 7.96 | 202 | 7.50 | 191 | 7.21 | 183 |
| 20 | 8.33 | 212 | 7.88 | 200 | 7.58 | 193 |
| 21 | 8.71 | 221 | 8.25 | 210 | 7.96 | 202 |
| 22 | 9.08 | 231 | 8.63 | 219 | 8.33 | 212 |
| 23 | 9.46 | 240 | 9.00 | 229 | 8.71 | 221 |
| 24 | 9.83 | 250 | 9.38 | 238 | 9.08 | 231 |
| 25 | 10.21 | 259 | 9.75 | 248 | 9.46 | 240 |
| 26 | 10.58 | 269 | 10.13 | 257 | 9.83 | 250 |

| | | | | | | | |
|---|----------------------|---|---|---------------------------|-------------------------------|---------------------|--|
| RELEASED EC NO: IFC2016-0008 DRAWN: SVMURTHY 2015/06/30 CHKD: RSTONE 2015/06/30 APPR: JFMURPHY 2016/07/11 | DESCRIPTION REV A | QUALITY SYMBOLS | GENERAL TOLERANCES (UNLESS SPECIFIED) | DIMENSION STYLE | SCALE | DESIGN UNITS | THIRD ANGLE PROJECTION |
| | | $\nabla F/0$ $\nabla E/0$ $\nabla D/0$ | mm INCH 4 PLACES ± --- ± --- 3 PLACES ± --- ± .005 2 PLACES ± 0.13 ± .01 1 PLACE ± 0.3 ± --- 0 PLACE ± --- ± --- | IN/MM | 2:1 | INCH | 9.53MM [.375"] SR BTS NO TERMINAL, MTG ENDS |
| | | ANGULAR ± 2 ° DRAFT WHERE APPLICABLE MUST REMAIN WITHIN DIMENSIONS | DRAWN BY DATE SVMURTHY 2015/06/30 CHECKED BY DATE RSTONE 2015/06/30 APPROVED BY DATE JFMURPHY 2016/07/11 | MATERIAL NO. 387100202 | DOCUMENT NO. SD-38710-0202 | SHEET NO. 2 OF 2 | |
| | | THIS DRAWING CONTAINS INFORMATION THAT IS PROPRIETARY TO MOLEX INCORPORATED AND SHOULD NOT BE USED WITHOUT WRITTEN PERMISSION | | | | | |