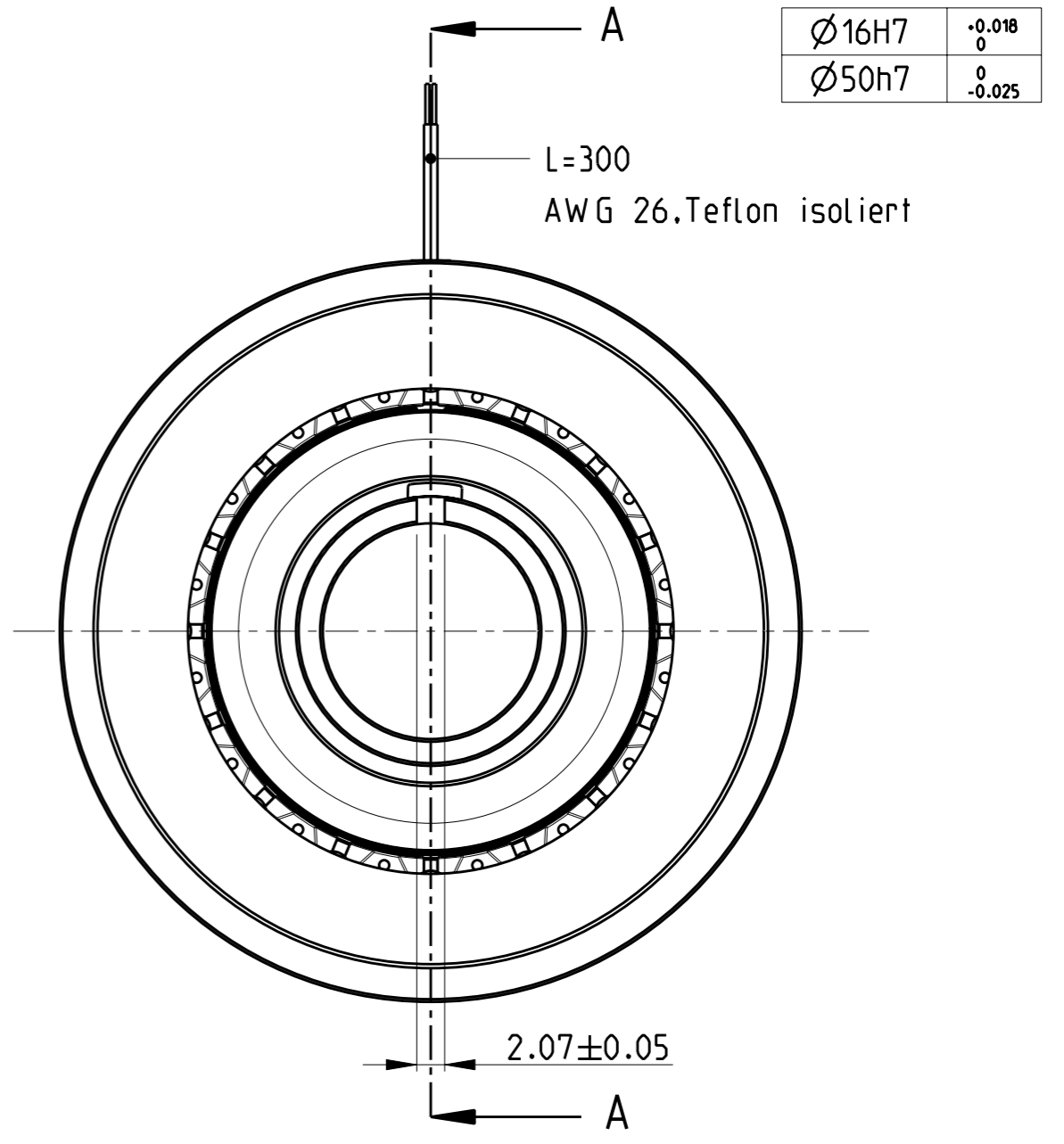
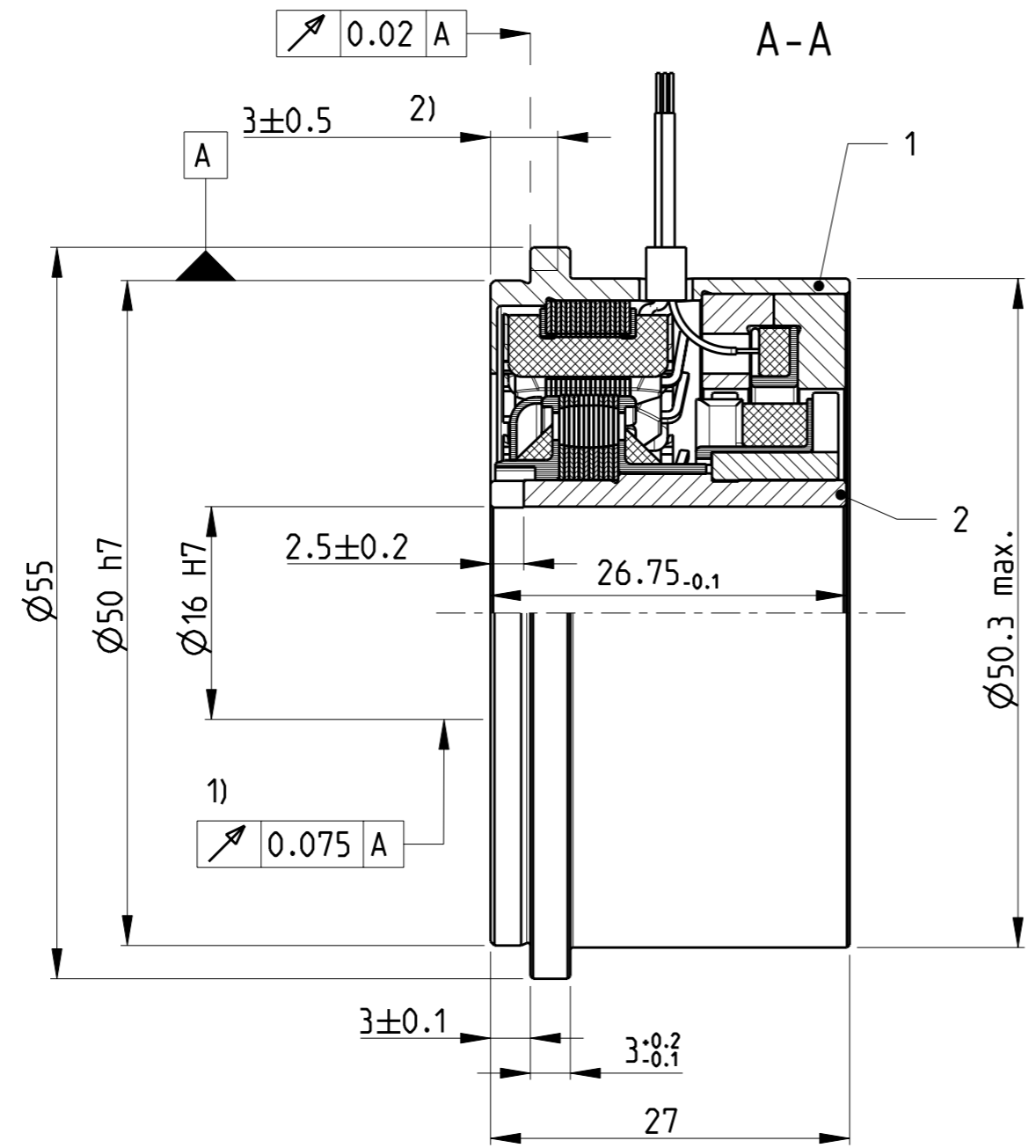
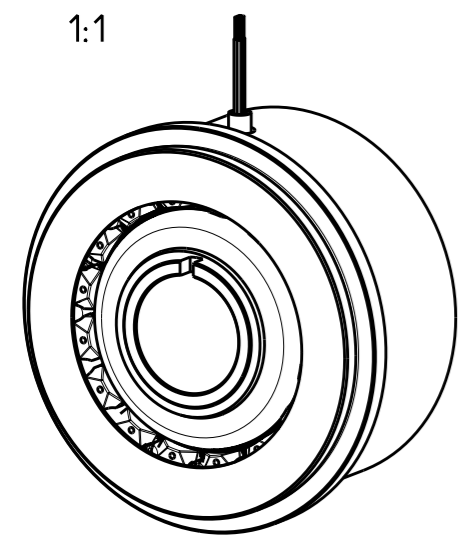


THIS DRAWING IS UNPUBLISHED. RELEASED FOR PUBLICATION 2005  
 © COPYRIGHT 2005 BY TYCO ELECTRONICS CORPORATION. ALL RIGHTS RESERVED.

LOC	DIST	REVISIONS			
P	LTR	DESCRIPTION	DATE	DWN	APVD
A1	-	New Drawing	25AUG2005	Kr	An
A2	-	ECR-06-017801	24 JUL 2006	Kr	An
C1	-	ECR-09-018278	20OCT2009	Ma	An

Signal	Aderfarbe
S1	rot
S2	gelb
S3	schwarz
S4	blau
R1	rot-weiss
R2	gelb-weiss



1) Gesamtschlag im eingebauten Zustand  
 2) Axialversatz

ITEM NO	PARTNUMBER	DESCRIPTION	REVISION OF EACH ASSY NO. (WHEN BLANK, USE DWG. REVISION)
1	1-1824348-0	Rotor kpl. / Bauform B2 (12N)	2
1	1-1824206-0	Gehäuse kpl. / Bauform T2	1
1-1824402-0	PARTNUMBER	DESCRIPTION	ITEM NO
PARTS LIST			

DIMENSIONS:		TOLERANCES UNLESS OTHERWISE SPECIFIED:	
mm		0 PLC	±
		1 PLC	±
		2 PLC	±
		3 PLC	±
		4 PLC	±
		ANGLES	±
MATERIAL	-	FINISH	-

DWN	Kraus	03MAY2005	<b>tyco</b> tyco Electronics AMP GmbH	
CHK	-	-	<b>Electronics</b> D - 67346 Speyer	
APVD	Andrae	24 JUL 2006	NAME	
PRODUCT SPEC	-	-	Massbild Hohlwellendrehmelder	
APPLICATION SPEC	-	-	Dimensional Drawing Resolver	
WEIGHT	-	-	SIZE	RESTRICTED TO
CUSTOMER DRAWING		A3	00779	-
SCALE		2:1	DRAWING NO	REV
SHEET		1	C-4-1393048-3	C1
OF		1		