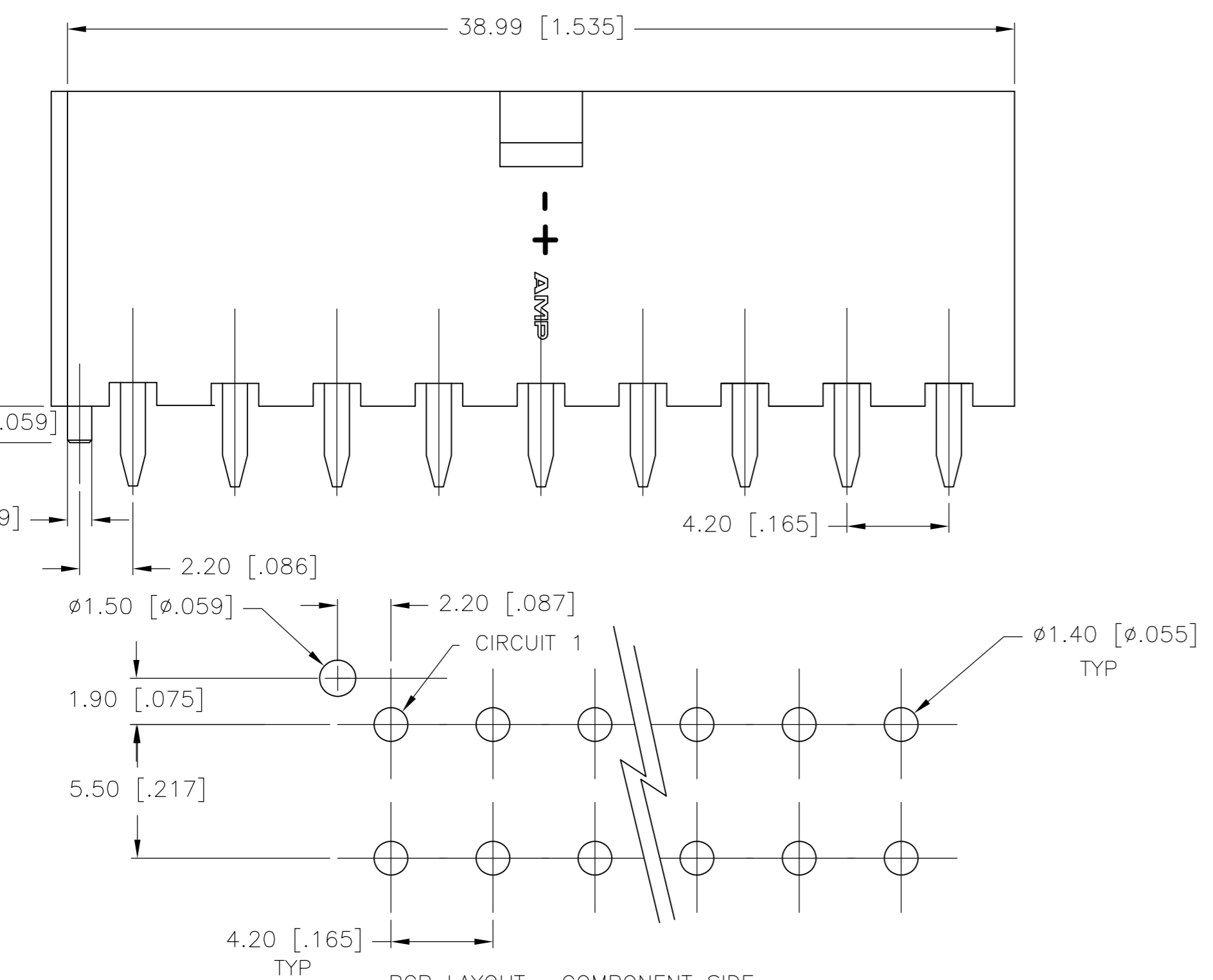
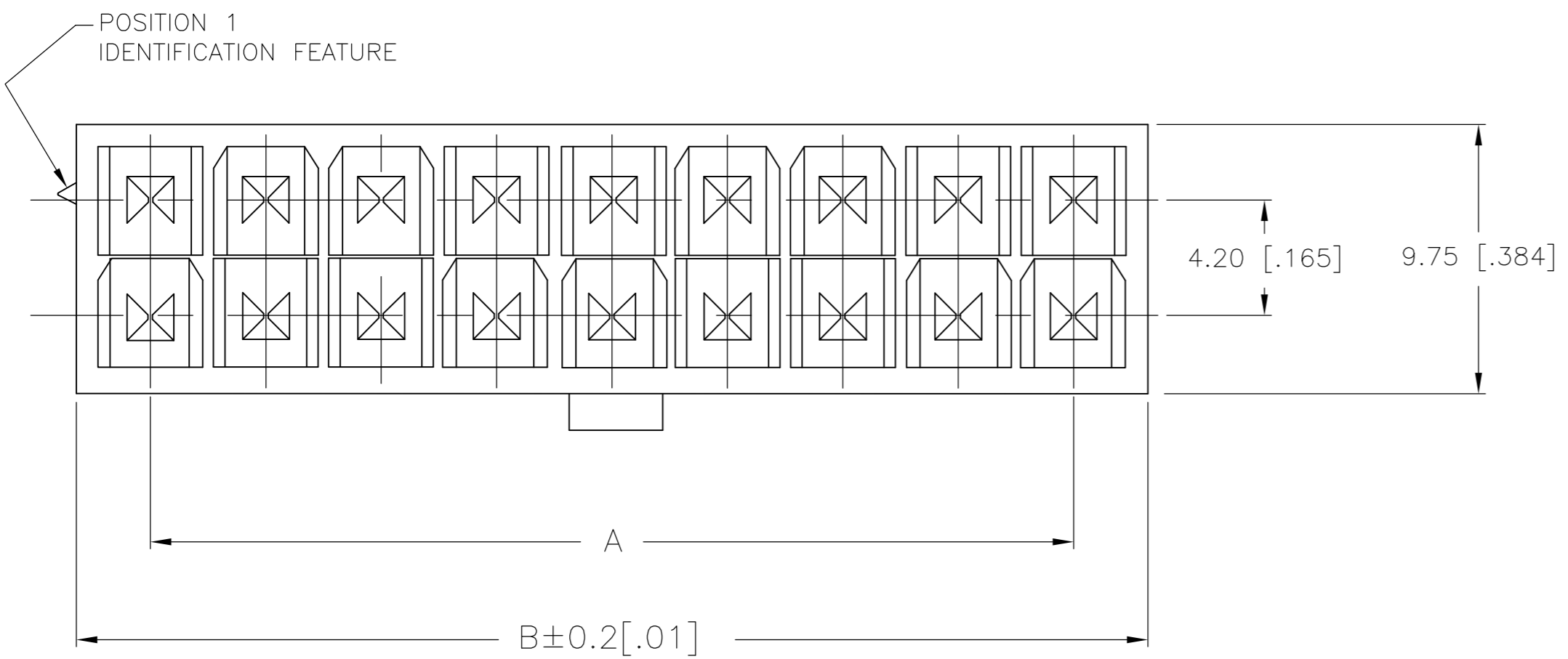


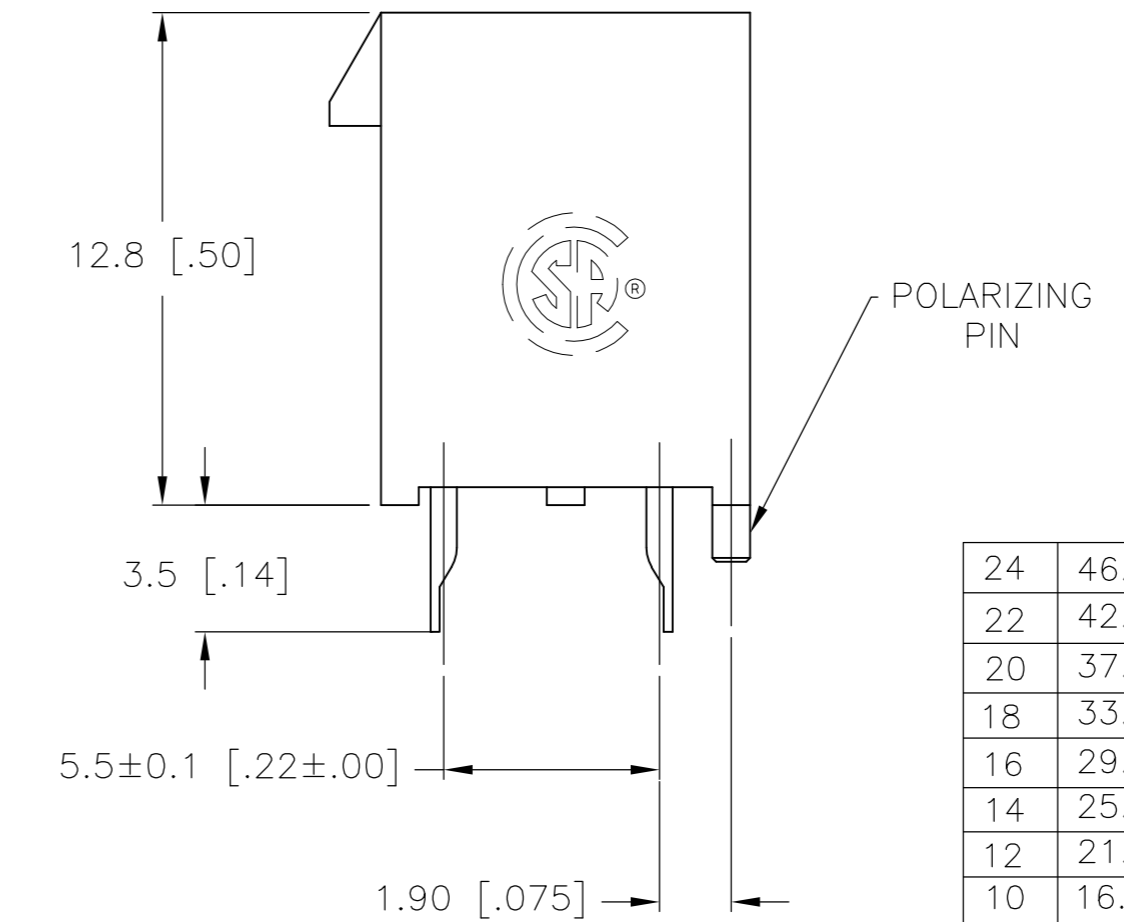
THIS DRAWING IS UNPUBLISHED. RELEASED FOR PUBLICATION
 © COPYRIGHT BY TYCO ELECTRONICS CORPORATION. ALL RIGHTS RESERVED.

| LOC | DIST | REVISIONS | | | | | |
|-----|------|-----------|-----|---------------------------|---------|-----|------|
| CM | 00 | P | LTR | DESCRIPTION | DATE | DWN | APVD |
| | | B | | REVISED PER ECO-08-006888 | 24MAR08 | HMR | CC |



PCB LAYOUT: COMPONENT SIDE
 RECOMMENDED BOARD THICKNESS 1.60 [.063]

1 MATERIAL: HOUSING: NYLON.
 CONTACTS: BRASS, TIN-PLATED.



| | | | |
|-----|---------------------|-------------|-------------|
| 24 | 46.2±0.2 [1.82±.01] | 51.6 [2.03] | 2-1586374-4 |
| 22 | 42.0±0.2 [1.65±.01] | 47.4 [1.87] | 2-1586374-2 |
| 20 | 37.8±0.2 [1.49±.01] | 43.2 [1.70] | 2-1586374-0 |
| 18 | 33.6±0.2 [1.32±.01] | 39.0 [1.54] | 1-1586374-8 |
| 16 | 29.4±0.2 [1.16±.01] | 34.8 [1.37] | 1-1586374-6 |
| 14 | 25.2±0.2 [.99±.01] | 30.6 [1.21] | 1-1586374-4 |
| 12 | 21.0±0.2 [.83±.01] | 26.4 [1.04] | 1-1586374-2 |
| 10 | 16.8±0.1 [.66±.00] | 22.2 [.87] | 1-1586374-0 |
| 8 | 12.6±0.1 [.50±.00] | 18.0 [.71] | 1586374-8 |
| 6 | 8.4±0.1 [.33±.00] | 13.8 [.54] | 1586374-6 |
| 4 | 4.2±0.1 [.17±.00] | 9.6 [.38] | 1586374-4 |
| 2 | N/A | 5.4 [.21] | 1586374-2 |
| POS | A | B±0.2[.01] | PART NUMBER |

1-1586374-8 SHOWN

| | | | | |
|--|--|---------------------------------|--|---------------|
| THIS DRAWING IS A CONTROLLED DOCUMENT. | | DWN S. HOOVER 29-MAR-2004 | Tyco Electronics Corporation Harrisburg, PA 17105-3608 | |
| DIMENSIONS: mm [INCHES] | | CHK D. COLEY 29-MAR-2004 | NAME | |
| TOLERANCES UNLESS OTHERWISE SPECIFIED: | | APVD D. COLEY 29-MAR-2004 | VERTICAL HEADER WITHOUT PEGS, WITH DRAIN HOLES VAL-U-LOK(TM) | |
| 0 PLC ± | | PRODUCT SPEC | SIZE | RESTRICTED TO |
| 1 PLC ± | | APPLICATION SPEC | CAGE CODE | — |
| 2 PLC ± 0.5 [.02] | | WEIGHT | DRAWING NO | — |
| 3 PLC ± 0.25 [.010] | | CUSTOMER DRAWING | SCALE | — |
| 4 PLC ± 0.150 [0059] | | SCALE 5:1 | SHEET 1 of 1 | — |
| ANGLES ± | | FINISH | REV | B |
| MATERIAL 1 | | A2 00779 C=1586374 | | |

