

Copyright FCI.



D

C

B

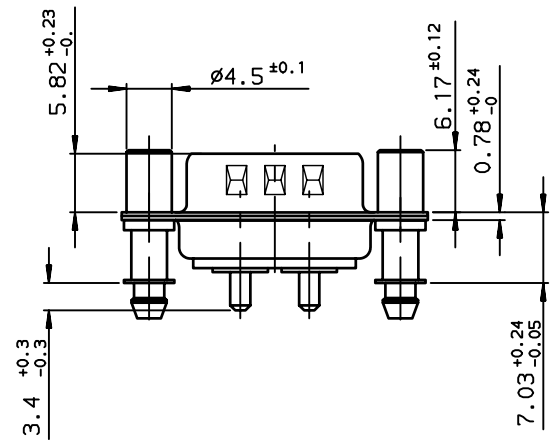
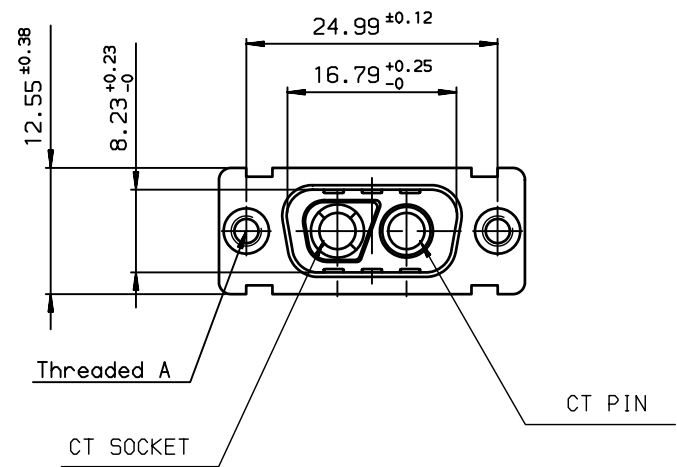
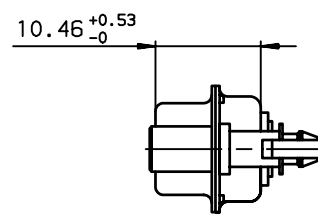
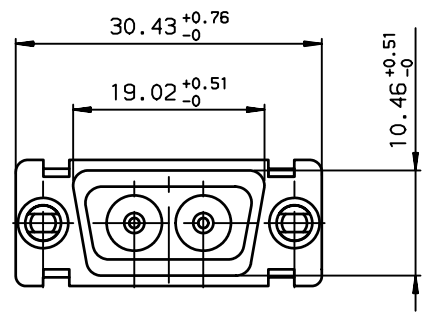
A

1

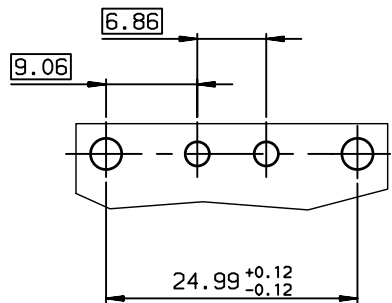
2

3

4



LAYOUT DIMENSIONS (after plating)
CONNECTOR SIDE VIEW



TIN LEAD PART NUMBER

DEI2V2P300G30	M3
DEV2V2P300G30	UNC 4.40
PART NUMBER	Threaded A

GENERAL CHARACTERISTICS : SEE DRAWING C01-8639-0001

European Views

www.fciconnect.com		surface ISO 1302 ✓	tolerance std ISO 406 ISO 1101	projection A3	mm
TOLERANCES UNLESS OTHERWISE SPECIFIED					
Dr	JARRY	2001/01/26	ANGULAR	0.X ±0.1	size A3
Eng	PESSON	2001/01/26	LINEAR	0.XX ±0.1	Scale 2
Chr	LEGARE	2001/01/26	0.XX ±2'	0.XXX ±0.1	ECN LS07-0070
Appr	LEGARE	2001/01/26	Product family	D-SUB	Spec ref -
FCI logo		title PIN CONNECTOR WITH TWO POWERS CONTACTS			dwg no C01-8639-1863
catalog no		CUSTOMER			Rev. E

rev	ecn no	dr	date
B	-	DEB	2003/10/01
C	LS05-001	MPE	2005/03/09
D	LS06-0095	LGO	2006/06/28
E	LS07-0070	MPE	2007/03/06
-	-	-	-
-	-	-	-
-	-	-	-

REV F - 2006-04-17

1

2

3

4