

Style

M12 Socket, shielded
8 pin
A-coding

Ratings

Voltage: 30 V
Current: 2 A

Operating Temperature Range

-40 ~ 105 °C

Materials

- ① Insulator: Polyamide 66 (PA66), UL94 HB, black
- ② Pin: C3604 brass, gold plated
- ③ Shell: C3604 brass, nickel plated
- ④ O-ring: Nitrile rubber, black & green
- ⑤ Pin alignment guide: Polyamide 66 (PA66), UL94 HB, black

Electrical Requirements

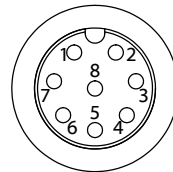
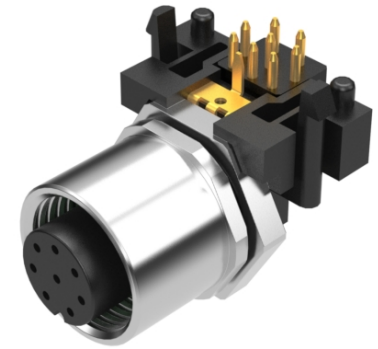
Dielectric strength: 1 min @ 500 Vac
Insulation resistance: 100 MΩ @ 500 Vdc
Contact resistance: 10 mΩ or less

Mechanical Requirements

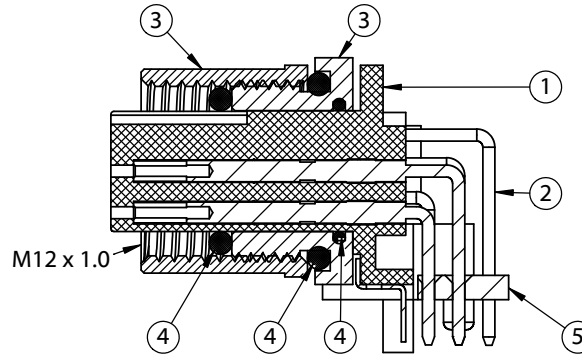
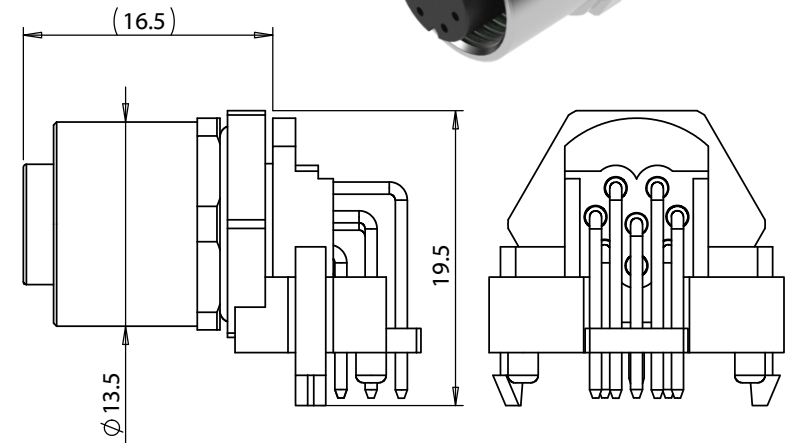
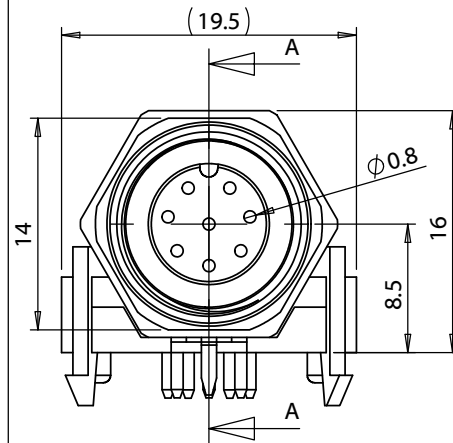
Life cycle: 500 mating cycles minimum

Environmental Requirements

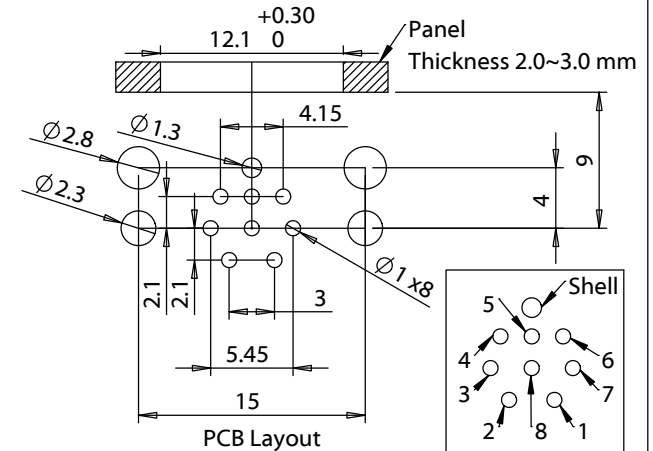
Salt spray test: 35 °C, relative humidity 90-95%, 5% NaCl mist for 48 hrs. Wash parts after test. Maintain mechanical requirements and a contact resistance of less than 10 mΩ.
Waterproof: IP67 (in mated state). IP67 panel ingress requires sealing cap



Front View
Not to Scale



SECTION A-A



Revision:	Date:	Description:
A	9/29/2020	Initial release
A1	10/13/2021	Added pin alignment guide

Prepared:
AG
Digitally signed by AG
Date: 2023.06.20
13:25:07 -07'00'

Verified:
PB
Digitally signed by PB
Date: 2023.06.20
16:41:50 -07'00'

Dimensions are in millimeters.
Tolerances:
X: ± 0.5 mm
X.X: ± 0.3 mm
X.XX: ± 0.1 mm

Notes:
RoHS compliant

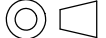
Function test: no open, no short circuit, no intermittent

Description:
Connector, 8 pin M12 A-code socket, 12xL23.4mm, gold plated, PCB mount, 90°, PCB, IP67

TENSILITY

tel 1.541.323.3228 800 877.670.7118
fax 1.541.323.4202 web tensility.com

Size: A Part number: **54-00248**

Scale: 2:1  Sheet 1 of 1