

SIGN	DATE	DESCRIPTION	APPROVER
	2008.06.04	Rev B: Standard material changed from UL94V-2 to UL94V-0	Jimmy
<i>THIS IS CAD DRAWING, DO NOT REVISE MANUALLY!!!</i>			

Material

- Insulator: Nylon 66
- Flammability: UL94V-0
- Color: Ivory
- Contacts: Brass
- Plating: 120u" Tin over 30u" Nickel

Ratings

- Current: 3A
- Voltage: 250V AC(r.m.s.)
- Contact Resistance: <20Ω
- Insulation Resistance: >1,000Ω
- Dielectric Withstanding Voltage: 1000V AC for one minute
- Operating Temperature: -55° - +105°

RoHS Compliant

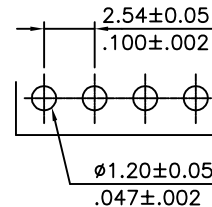
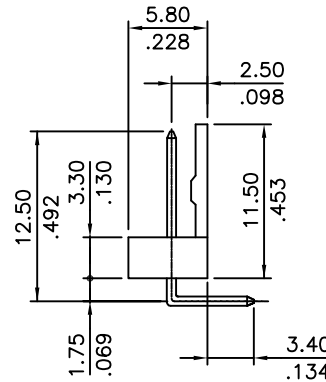
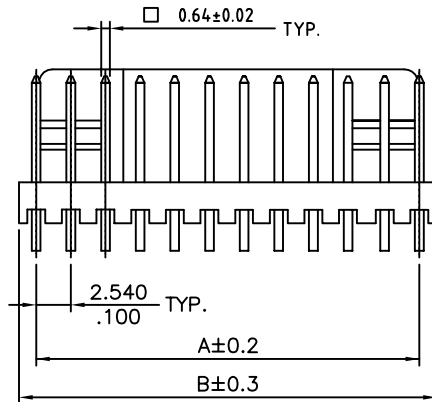
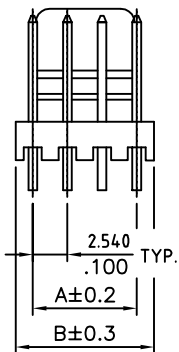
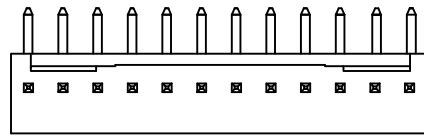
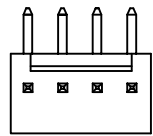
OPTIONS - add to end of p/n

- G - Gold plating
- BK - Black color
- consult factory for other options
- OPTIONS may require MOQ

PART NUMBER:

2600-XX-R

Number of circuits
02-20



Recommended P.C. Board Layout

(02 through 5 circuits)

(06 through 20 circuits)

A = 2.54 x No. of Spaces

B = A + 2.54

* Available in 02 through 20 circuits

THESE DRAWINGS AND SPECIFICATIONS ARE THE PROPERTY OF ON-SHORE TECHNOLOGY, INC. AND SHALL NOT BE REPRODUCED, COPIED OR USED IN ANY MANNER WITHOUT THE PRIOR WRITTEN CONSENT OF ON-SHORE TECHNOLOGY, INC.



TITLE		2600 Series - 2.54mm single row, right-angle friction lock header			
PART NO.		2600-XX-R		DWG NO. 2600-XX-R.DWG	
APPROVED	CHECKED	DESIGNED	DRAWN	4050	
	Marvin 2006.08.16	Marvin 2006.08.16	Marvin 2006.08.16	Tolerance	
					X. ±0.30/.012
					X.X ±0.20/.008
				SCALE: NONE	X.XX ±0.10/.004
				SHEET: 01/01	X* ±1°
				REV.: B	