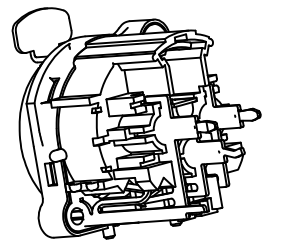
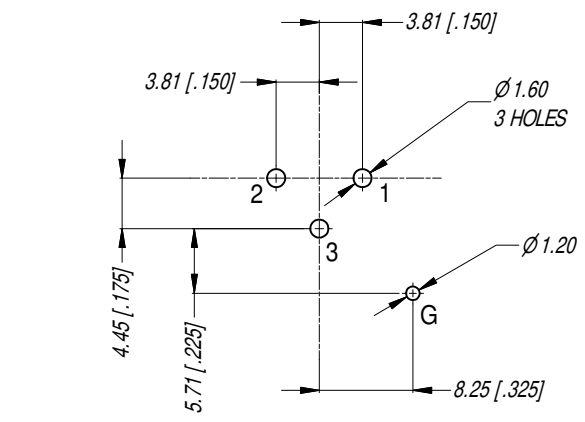
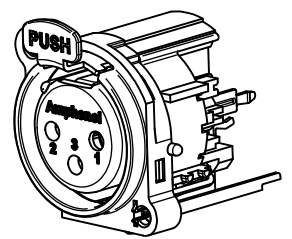


MIN MOUNTING PITCH



3D VIEW (1:1)

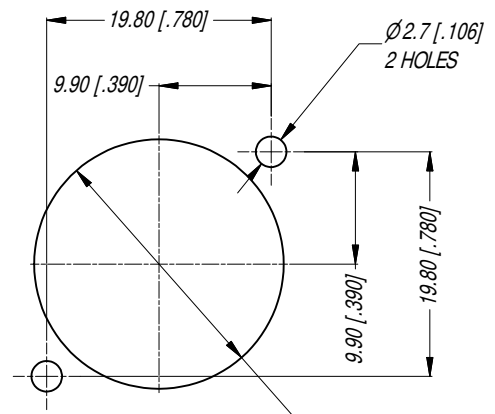


PCB LAYOUT

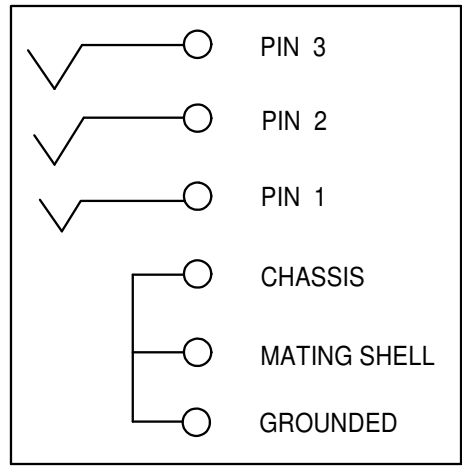
LAYOUT TOLERANCE : ± 0.05 [0.002 in]

NOTE: DIMENSIONS IN PARENTHESES ARE IN INCHES

NOTE: SUFFIX "B" IN THE PART No. INDICATES BULK PACK.



PANEL CUT OUT
REAR VIEW



SCHEMATIC CHART

REV	DESCRIPTION	DATE	BY	CHG NO
2	ADD SUFFIX B TO PART No	27/08/15	T.N	9318
1	CHANGE PUSH LEVER & LATCH SPRING	18/12/08	A.O	8793
0	FIRST ISSUE	18/04/07	T.N	8686

REVISION HISTORY

UNLESS OTHERWISE SPECIFIED TOLERANCE TO BE:		THIS DOCUMENT IS THE PROPERTY OF AMPHENOL AUSTRALIA PTY. LTD. NO PART THEREOF MAY BE REPRODUCED AND USED WITHOUT THE PRIOR WRITTEN CONSENT OF THE OWNER			
LINEAR	ANGULAR	CAD FILE	DRN:	T.N	DATE:
X ±	X° ± 1'	55010463000221	CKD:	P.M	DATE:
X.X ±	X.X° ± 30'		APPD:	P.M	DATE:
X.XX ±	X.XX° ± 15'				
DO NOT SCALE		MATERIAL: REFER TO COMPONENTS		SCALE: 3:2	
FINISH: REFER TO COMPONENTS		PART No:		AC3FBV2-AU-B	
DIMENSIONS IN MILLIMETRES		THIRD ANGLE PROJECTION		SIZE: A4	

TITLE: XLR FEMALE B TYPE CONNECTOR CUSTOMER DWG		Amphenol Amphenol Australia Pty.Ltd. 2 Fiveways Blvd. Keysborough, Vic3173	
DRAWING NO. 55010463-000-2		SHEET 2/2	