

NOTES:

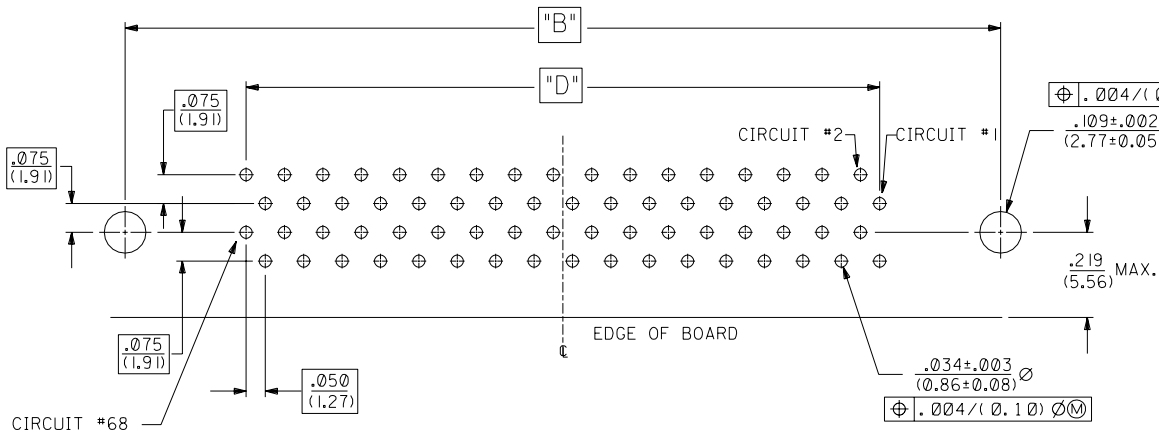
- 1. SEE SHEETS 3 AND 4 FOR PART NO'S. AND CHARTED DIMENSIONS.
- 2. TAIL / PCB PATTERN FIXED AT LAST CIRCUIT POSITIONS FOR ALL CIRCUIT SIZES AT END SHOWN. (B12).
- 3. SEE SHEET 2 FOR ALL ADDITIONAL NOTES.
- 4. THE "H" DIMENSION APPLIES ONLY TO THE PLASTIC HOUSING AND NOT THE SHIELD.

4	N
3	N
2	N
1	N
MFG. SH. REV.	

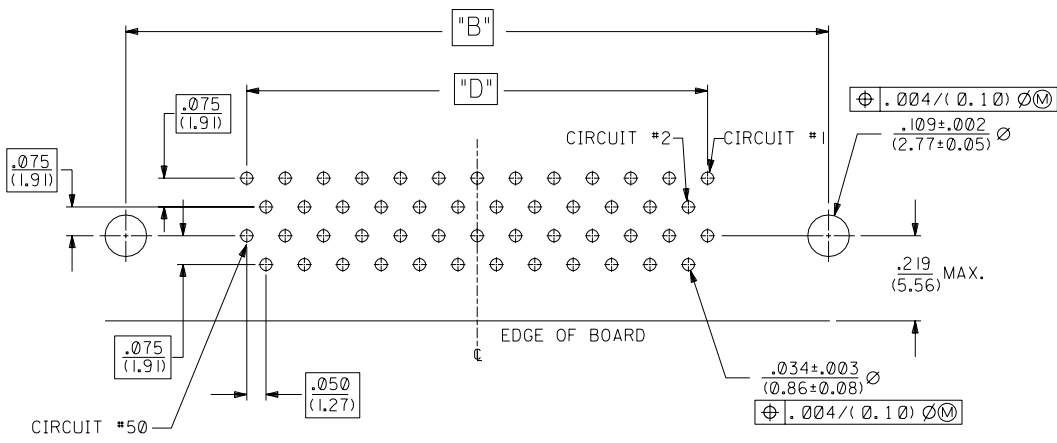
N	OBSOLETE PART # ECR* UCP2005-0311 BSMART 04/08/09	K2	NOTES ON SHEETS 4,5 FOR SCREWLOKS ECN UCP2004-0240 RWHITE 03/07/31 ADDED NOT TOOLED TO CHART PER EC *UDT1999-0167 J. LONG N98/09/08
M	LEADFREE ECR* UCP2004-1925 DMORGAN 04/04/06	K1	REVISED CHART PER EC # U81346 J. LONG 97/12/12
LTR.	REVISIONS	LTR.	REVISIONS

DIMENSIONS SHOWN (METRIC) INCH	
UNLESS OTHERWISE SPECIFIED TOLERANCES: ANGULAR ± 1/2°	
3 PLACE ± .005	---
2 PLACE ± ---	± 0.13
1 PLACE ---	± ---
DRAFT WHERE APPLICABLE MUST REMAIN WITHIN DIMENSIONS	
DRW. BY J. Long	CHK'D. BY BOWEN
APP'D. BY DJB	SCALE 4 : 1

REVISE ONLY ON CAD SYSTEM	
TITLE SALES ASSEMBLY SCSI SHIELDED RECEPTACLE	
MOLEX INCORPORATED LITSE,ILL. 60532	SHEET NO. U.S.A. 1 OF 4
DATE 03/27/89	
PART NO. SEE CHARTS	DRWG. NO. SDA-79059-1***
FILE NAME 579059A1.DGN	THIS DRAWING CONTAINS INFORMATION THAT IS PROPRIETARY TO MOLEX INC. AND SHOULD NOT BE USED WITHOUT WRITTEN PERMISSION.
DIV. DC	SIZE C



TYPE 1168 CKT P.C. BOARD LAYOUT  
CONNECTOR SIDE (SCALE 4:1)

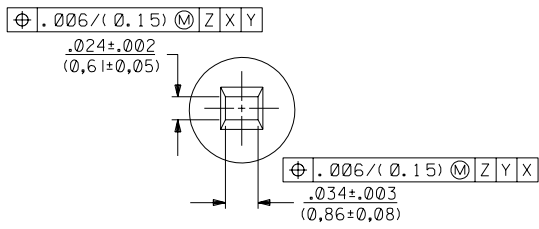


TYPE 150 CKT P.C. BOARD LAYOUT  
CONNECTOR SIDE (SCALE 4:1)

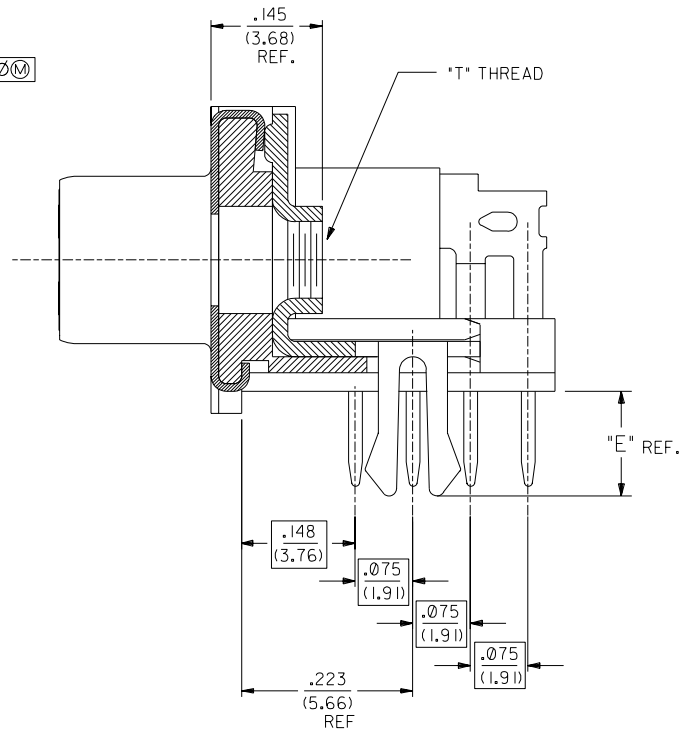
NOTES:

- REFER TO PS-79058 PRODUCT SPEC. FOR ELECTRICAL, MECHANICAL AND ENVIRONMENTAL SPECIFICATIONS.
- MATERIAL:  
RECEPTACLE HOUSING: GLASS FILLED LCP (LIQUID CRYSTAL POLYMER); COLOR-BLACK; UL 94V-0  
CONTACTS: PHOSPHOR BRONZE  
SHIELD: STEEL WITH BRIGHT TIN OVER NICKEL PLATING OVER COPPER FLASH.  
GROUNDING CLIP: BRASS WITH TIN OVER NICKEL PLATE
- PACKAGING:  
PARTS PACKAGED IN TUBES PER PK-70873-0207
- PLATING:  
SELECTIVE GOLD: THICKNESS= 30 MICROINCHES/(0.76 MICROMETERS) MINIMUM.  
SELECTIVE TIN: THICKNESS= 75 MICROINCHES/(1.90 MICROMETERS) MINIMUM.  
NICKEL UNDERPLATE OVERALL.

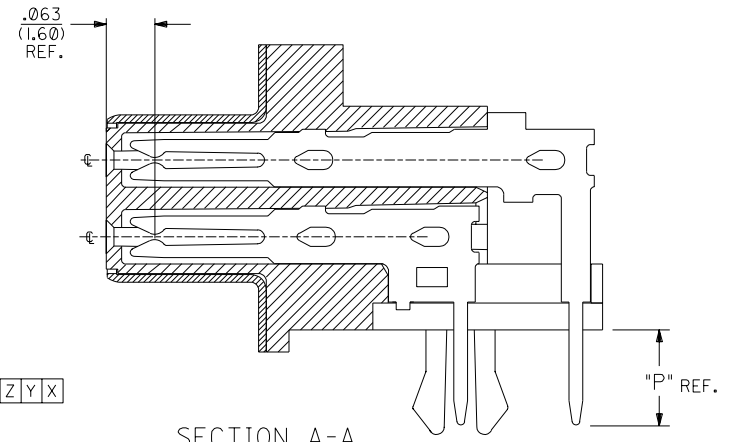
NOTE FOR LEAD FREE CONVERSION:  
THE PRIMARY SHIPPING CARTON WILL BE LABELED "COMPLIANT TO RoHS DIRECTIVE 2002/95/EC AND ELV ANNEX II OF DIRECTIVE 2000/53/EC". CARTONS WITHOUT THIS LABEL MAY CONTAIN PRODUCT WITH LEAD.



PIN WINDOW DETAIL  
SCALE 10:1



SECTION B-B



SECTION A-A  
SEE NOTE 2 (SHEET 1)

LTR.	REVISIONS	LTR.	REVISIONS
N	SEE SHEET 1	JI	SEE SHEET 1
M	SEE SHEET 1	I	SEE SHEET 1

DIMENSIONS SHOWN (METRIC) INCH	
UNLESS OTHERWISE SPECIFIED TOLERANCES: ANGULAR $\pm 1/2^\circ$	
INCH	METRIC
5 PLACE $\pm .005$	---
2 PLACE $\pm .005$	$\pm 0.15$
1 PLACE	---

MFG. SH. REV.		REVISE ONLY ON CAD SYSTEM	
TITLE SCSI SHIELDED RECEPTACLE ASSEMBLY			
PART NO. MOLEX INCORPORATED L15LEJLL 60532		SHEET NO. 2	DATE 08/14/89
DRAWN BY D.J.B.		CHK'D BY BOWEN	FILE NAME S79058A2
SCALE 8:1		SDA-79059-1***	
THIS DRAWING CONTAINS INFORMATION THAT IS PROPRIETARY TO MOLEX INC. AND SHOULD NOT BE USED WITHOUT WRITTEN PERMISSION.			
DC	DC	DC	DC