

6

5

4

3

2

1

APPROVED: _____

DATE: _____ TITLE: _____

Rev	AWO #	Description	Date	Appr
-		REFERENCE	09/08/16	

THIS IS A CUSTOM CABLE PRODUCT THAT IS NON-CANCELABLE / NON-RETURNABLE

D

D

C

C

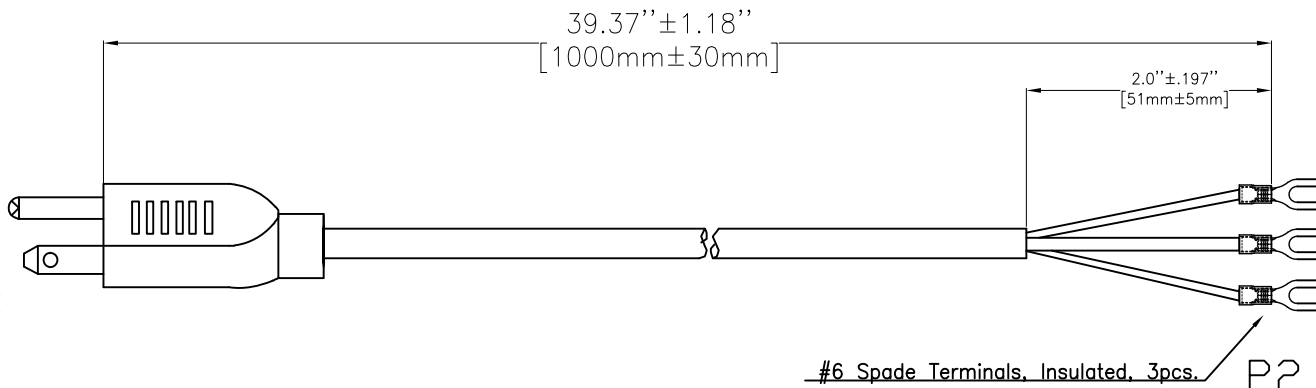
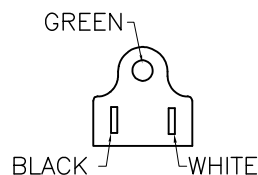
B

B

A

A

P1



SPECIFICATIONS:

Connector:

P1: NEMA 5-15P PLUG.

P2: #6 Spade Terminals, Red Insulated.

Cable:

18AWG*3C, SJT, 105°C., UL, Wire colors BLK, WHT and GRN, JACKET COLOUR: BLACK.

Electrical Test:

All Assemblies must be 100% Tested for Shorts, Open, Continuity, and Physical Appearance.

Environmental:

Lead free, RoHS compliant



UNLESS OTHERWISE SPECIFIED
 ALL DIMENSIONS ARE INCHES [MM]
 TOLERANCES: EXCEPT AS NOTED
 INCHES HOLES

.X ± .10	Ø.X ± .10
.XX ± .020	Ø.XX ± .015
.XXX ± .015	Ø.XXX ± .010

ADAM TECH

909 Rahway Avenue, Union, NJ 07083
 Phone: 908-687-5000 Fax: 908-687-5710

TITLE
 EUROPEAN POWER CORD
 COLOR BLACK, SJT 18AWG*3C CABLE

APPROVALS		DATE
DRAWN	RL	09/08/16
CHECKED	CH	09/08/16
APPROVED		

SIZE	PART NO.	REV.
X	PC-0115033QC03-AN12409	-
REF:	SCALE: NTS	SHEET 1 OF 1

6

5

4

3

2

1