

Note: 1. Material:

- △6 * Insulation: High Temperature Polyamide UL 94V-0, Color Nature
- * Contact: Brass
- * TAB: Brass with matte Tin plated

2. Plating:

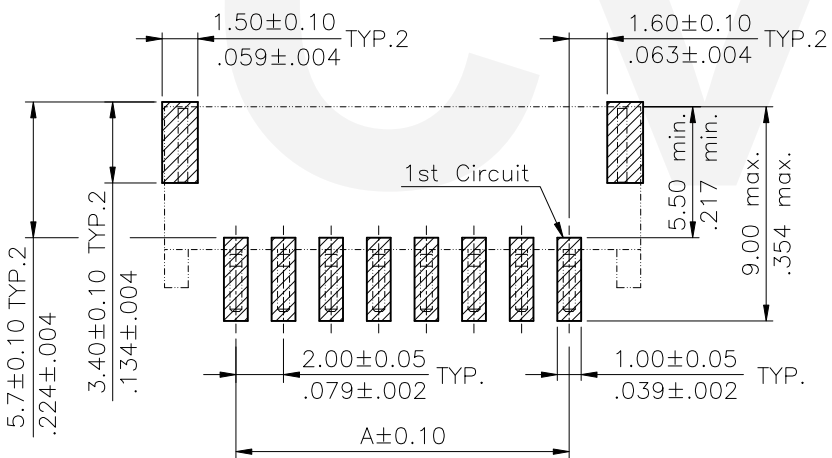
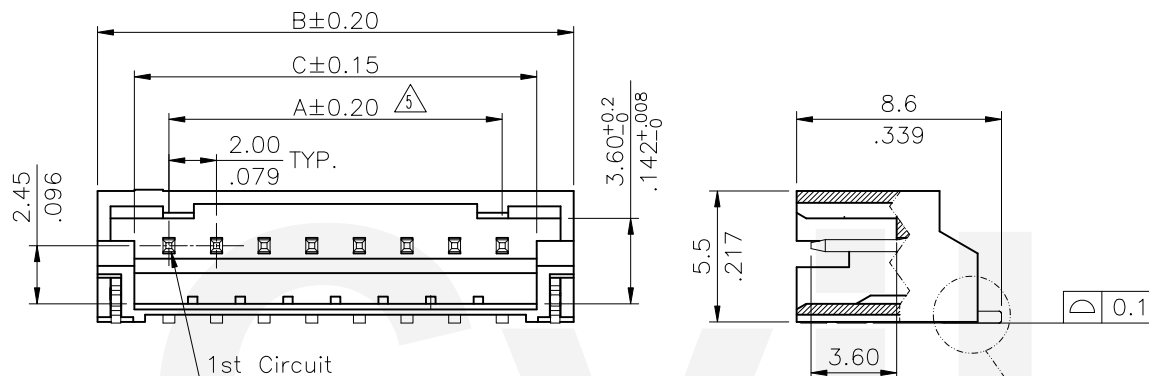
- * TAB: Matte Tin plated over Nickel

△4 3. For Lead Free IR Reflow Process

Ordering Code:

CI01 ** M * H * 0 -NH
 ① ② ③ ④ ⑤ ⑥ ⑦ ⑧

- ① Series No.
- ② No. of Circuits: 02~16
- ③ Contacts Type: M= SMT
- ④ Plating: 1= 3.05um(120u") Min. Matte Tin over 1.27um(50u") Nickel
- ⑤ Type: H= Right angle
- ⑥ Packing Options:
R= Tape & Reel
T= Tube Packing
- ⑦ Option: 0= Standard
- ⑧ NH= For Lead Free IR Reflow Process and Halogen-Free



SEC.:A-A

A = 2.00 x No. of Spaces

B = A + 6.0

C = A + 3.0

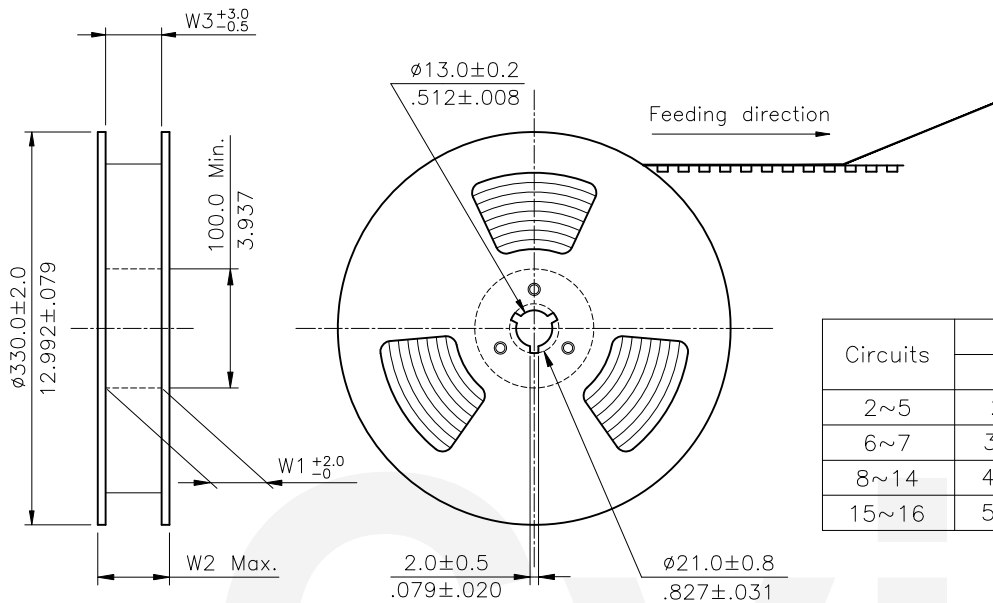
* Available in 2 through 16 circuits

Halogen-Free

Lead Free Process

RoHS Compliant

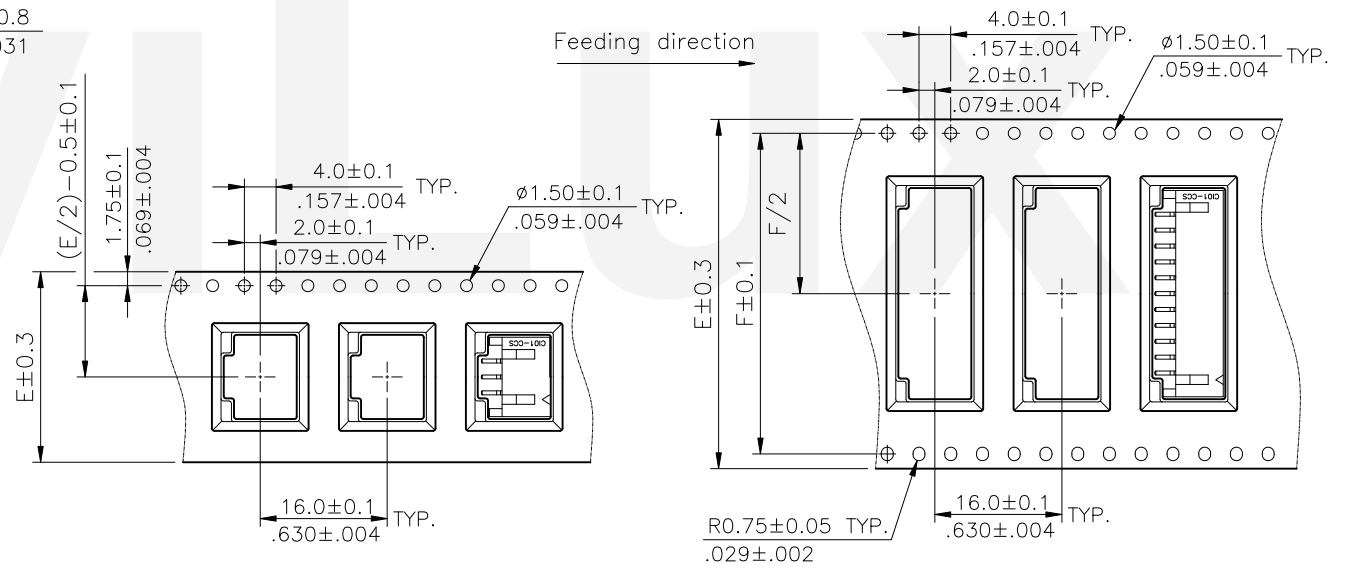
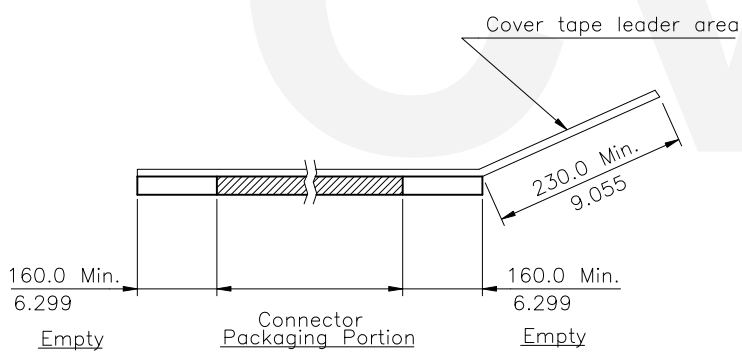
△6	Sun	1/06-21'	ECRT120085/ECNT120316		DRAWN BY:	Sun	01/06-21'	UNIT: mm / inch	TITLE: 2.00mm PITCH SIDE ENTRY SMT HEADER	 瀚荃股份有限公司 CviLux Corporation
△5	Sandy	12/13-16	ECNT116287		ENGINEER:	Sun	01/06-21'	TOLERANCE UNLESS OTHERWISE SPECIFIED	MATERIAL:	
△4	Enya	3/5-13'	ECN13056-0/ECR13007-1		CHECKED BY:	Eisley	01/08-21'	.X ± 0.30/.012 X' ± 1'	FINISH:	
△3	Sun	9/21-11'	ECN11202		APPROVED BY:	Eisley	01/08-21'	.XX ± 0.20/.008 .X' ±	DRAWING NO. CI0117AG PART NO. CI01**M*H*0-NH	
SYM	NAME	DATE	REVISIONS					.XXX ± 0.10/.004 .XX' ±	SCALE 3 / 1 SHEET 1 OF 2	



NOTE :

- △ * Reel Material : Corrugated Paper
- * Carrier Material : Transparent Anti-static Polysyrene.
- * Cover Tape Material : Polyester
- * Cover Tape Peel Strength : 0.1N – 1.3N
- * Carrier camber is within 1mm in 100mm
- * All dimensions meet EIA-481-2 requirements.
- * Quantity : 700 PCS/Reel

Circuits	Dimension					Packing (Reel/Carton)
	E	F	W1	W2	W3	
2~5	24.0(.945)	—	24.5(.965)	30.5(1.200)	24.5(.965)	9
6~7	32.0(1.260)	28.40(1.118)	32.5(1.280)	38.5(1.516)	32.5(1.280)	7
8~14	44.0(1.732)	40.40(1.596)	44.4(1.748)	50.4(1.984)	44.4(1.748)	5
15~16	56.0(2.205)	52.40(2.062)	56.5(2.224)	62.5(2.460)	56.5(2.224)	4



WIDTH : 24 mm Carrier

WIDTH : 32.44,56 mm Carrier

RoHS Compliant

△6	Sun	1/06-21'	ECRT120085/ECNT120316		DRAWN BY:	Sun	01/06-21'	TOLERANCE UNLESS OTHERWISE SPECIFIED	TITLE: 2.00mm PITCH SIDE ENTRY SMT HEADER	MATERIAL:	DRAWING NO. CIO117AG	PART NO. CIO1**M*H*0-NH
△5	Sandy	12/13-16	ECNT116287		ENGINEER:	Sun	01/06-21'					
△4	Enya	3/5-13'	ECN13056-0/ECR13007-1		CHECKED BY:	Eisley	01/08-21'	.XX ±	.X' ±			
△3	Sun	9/21-11'	ECN11202		APPROVED BY:	Eisley	01/08-21'	.XXX ±	.XX' ±			
SYM	NAME	DATE	REVISIONS									

