

**FC-5432-10A-(C1~C4)-C****Features / Applications :**

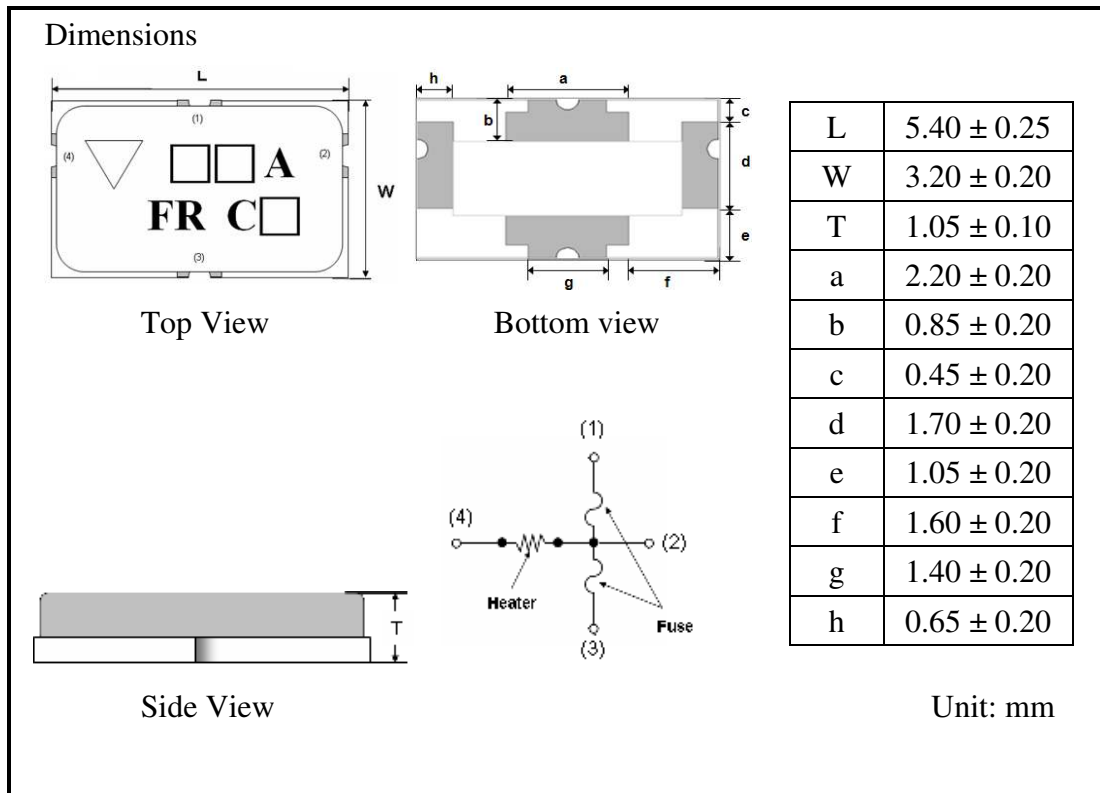
- OverCurrent Protection: Protect batteries from abnormal overcurrent behavior.
- OverVoltage Protection: Protect batteries from abnormal overvoltage behavior.
- Surface mountable fuse
- Halogen free
- Fast response time
- UL certificated: E314624 / TUV file number: TA50201483

**Electrical Specifications :**

Characteristics	Feature
Rated Voltage(*1)	35VDC
Rated Breaking Capacity	50A
Re-flow Temp.(MAX)	260°C
Fuse Resistance(Typical)	2.5~4.5mΩ
Heater Resistance	C1: 1.25~2.65Ω
	C2: 1.7~2.65Ω
	C3: 5.0~8.0Ω
	C4: 9.8~16.5Ω
Operating Voltage	C1: 4.0~7.0V
	C2: 4.0~9.0V
	C3: 7.0~14.0V
	C4: 10.5~19.5V

Note:

Maximum voltage is not the operating voltage for the heater.

**Outline Drawing :**

**Type Designation :**

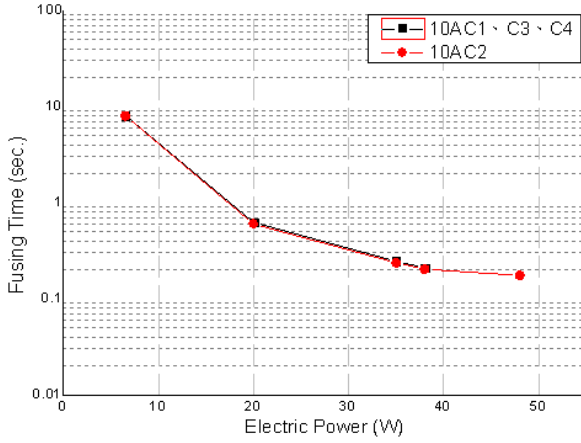
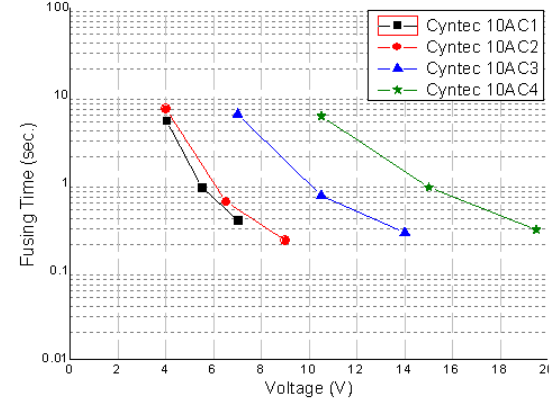
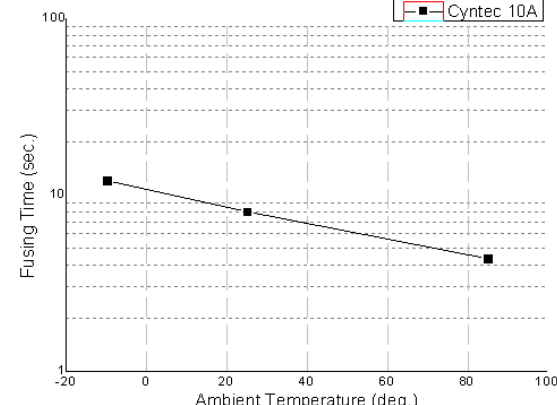
FC - 5432 - 10A - C□ - C  
 (1) (2) (3) (4) (5)

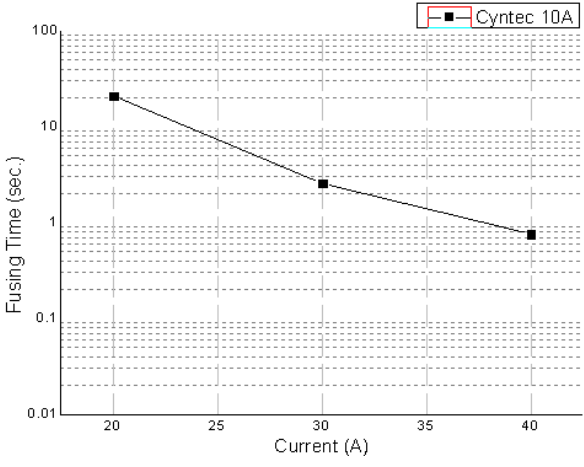
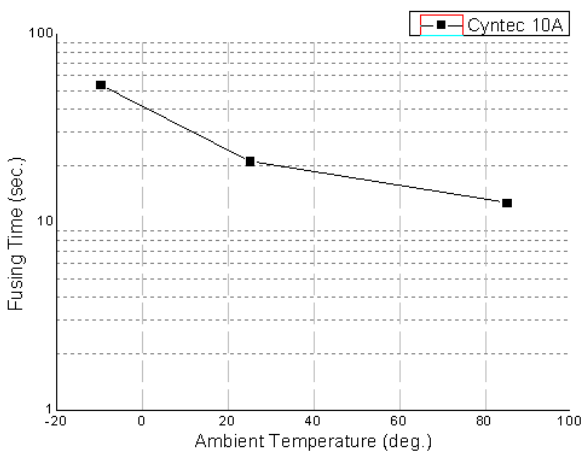
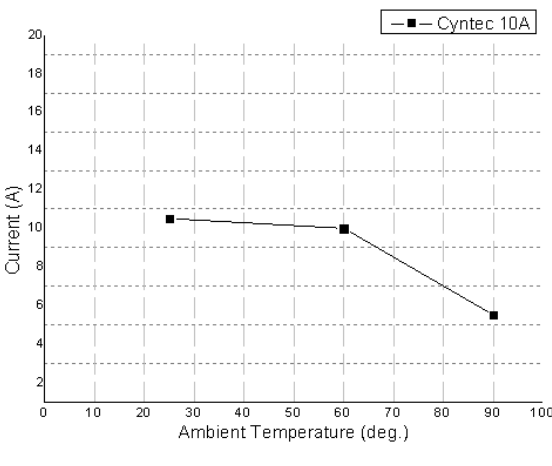
**Note:**

- (1) FC : Series number
- (2) 5432 : 5.4 mm \* 3.2 mm size
- (3) 10A : Rated current
- (4) C□ : Cells  
 C1 : One cell  
 C2 : Two cells  
 C3 : Three cells  
 C4 : Four cells
- (5) C : C version

**Characteristics :**

## Electric performance

Item	Specification and Requirement																																			
Fusing Time vs Electric Power	 <table border="1"> <caption>Fusing Time vs Electric Power</caption> <thead> <tr> <th>Electric Power (W)</th> <th>Fusing Time (sec.) (10AC1, C3, C4)</th> <th>Fusing Time (sec.) (10AC2)</th> </tr> </thead> <tbody> <tr> <td>7</td> <td>8</td> <td>8</td> </tr> <tr> <td>20</td> <td>0.6</td> <td>0.6</td> </tr> <tr> <td>35</td> <td>0.25</td> <td>0.25</td> </tr> <tr> <td>40</td> <td>0.2</td> <td>0.2</td> </tr> <tr> <td>48</td> <td>0.18</td> <td>0.18</td> </tr> </tbody> </table>	Electric Power (W)	Fusing Time (sec.) (10AC1, C3, C4)	Fusing Time (sec.) (10AC2)	7	8	8	20	0.6	0.6	35	0.25	0.25	40	0.2	0.2	48	0.18	0.18																	
Electric Power (W)	Fusing Time (sec.) (10AC1, C3, C4)	Fusing Time (sec.) (10AC2)																																		
7	8	8																																		
20	0.6	0.6																																		
35	0.25	0.25																																		
40	0.2	0.2																																		
48	0.18	0.18																																		
Fusing Time vs Voltage	 <table border="1"> <caption>Fusing Time vs Voltage</caption> <thead> <tr> <th>Voltage (V)</th> <th>Fusing Time (sec.) (10AC1)</th> <th>Fusing Time (sec.) (10AC2)</th> <th>Fusing Time (sec.) (10AC3)</th> <th>Fusing Time (sec.) (10AC4)</th> </tr> </thead> <tbody> <tr> <td>4</td> <td>5</td> <td>8</td> <td>-</td> <td>-</td> </tr> <tr> <td>6</td> <td>1</td> <td>0.6</td> <td>6</td> <td>-</td> </tr> <tr> <td>8</td> <td>0.4</td> <td>0.25</td> <td>4</td> <td>-</td> </tr> <tr> <td>11</td> <td>-</td> <td>-</td> <td>0.8</td> <td>5</td> </tr> <tr> <td>14</td> <td>-</td> <td>-</td> <td>0.3</td> <td>1</td> </tr> <tr> <td>19</td> <td>-</td> <td>-</td> <td>-</td> <td>0.3</td> </tr> </tbody> </table> <p>                 ※ 10AC1 Heater resistance is about 1.9Ω                  ※ 10AC2 Heater resistance is about 2.3Ω                  ※ 10AC3 Heater resistance is about 6.3Ω                  ※ 10AC4 Heater resistance is about 13.5Ω             </p>	Voltage (V)	Fusing Time (sec.) (10AC1)	Fusing Time (sec.) (10AC2)	Fusing Time (sec.) (10AC3)	Fusing Time (sec.) (10AC4)	4	5	8	-	-	6	1	0.6	6	-	8	0.4	0.25	4	-	11	-	-	0.8	5	14	-	-	0.3	1	19	-	-	-	0.3
Voltage (V)	Fusing Time (sec.) (10AC1)	Fusing Time (sec.) (10AC2)	Fusing Time (sec.) (10AC3)	Fusing Time (sec.) (10AC4)																																
4	5	8	-	-																																
6	1	0.6	6	-																																
8	0.4	0.25	4	-																																
11	-	-	0.8	5																																
14	-	-	0.3	1																																
19	-	-	-	0.3																																
Fusing Time by Heater vs Ambient Temperature	 <table border="1"> <caption>Fusing Time by Heater vs Ambient Temperature</caption> <thead> <tr> <th>Ambient Temperature (deg.)</th> <th>Fusing Time (sec.) (Cyntec 10A)</th> </tr> </thead> <tbody> <tr> <td>-10</td> <td>12</td> </tr> <tr> <td>25</td> <td>8</td> </tr> <tr> <td>85</td> <td>4</td> </tr> </tbody> </table> <p>                 ※ Testing Power: 6.5W             </p>	Ambient Temperature (deg.)	Fusing Time (sec.) (Cyntec 10A)	-10	12	25	8	85	4																											
Ambient Temperature (deg.)	Fusing Time (sec.) (Cyntec 10A)																																			
-10	12																																			
25	8																																			
85	4																																			

<p>Fusing Time vs Current</p>	 <p>※10A Fuse resistance is about 3.2 mΩ (Fusing Current = 20A)</p>
<p>Fusing Time by Current vs Ambient Temperature</p>	 <p>※10A Fuse resistance is about 3.2mΩ (Fusing Current = 20A)</p>
<p>Current Carrying Capacity</p>	 <p>※ Measure the current to reach the surface temperature which is 100°C with different ambient temperature.          ※ Fuse resistance is about 3.2 mΩ</p>

**Reliability**

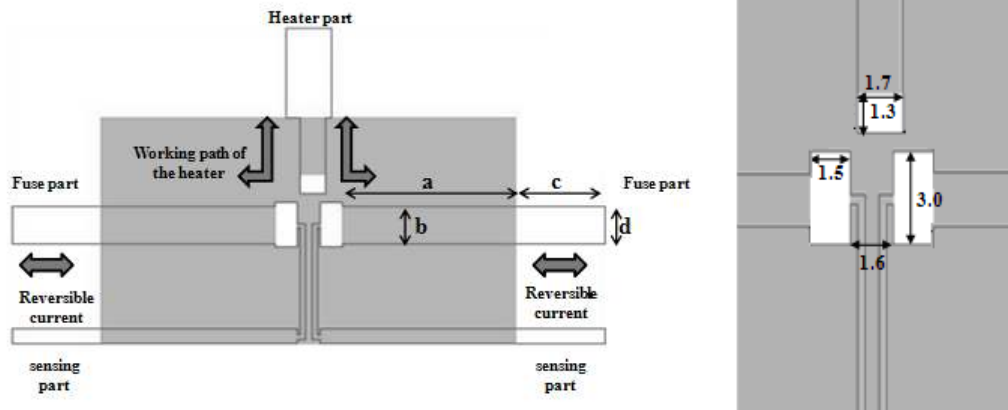
Test Item	Condition of Test	Requirements
Carrying capacity (UL248-14)	100% of rated current, 4hr	Without melting
Temperature Rise (UL248-14)	100% of rated current, measure of surface temperature.	$\Delta T < 75^{\circ}\text{C}$
Fusing time (UL248-14)	200% rated current; C1、C3、C4: 6W~39W shall be applied to heater. C2: 6W~40W shall be applied to heater.	Clearing time < 1 min
Interrupting Ability	After the fuse is interrupted, rated voltage applied for 30sec again.	No mechanical damages
Residual Resistance (UL248-14)	Measure DC resistance after fusing.	> 10k $\Omega$
Solderability (JEDEC J-STD-020D)	Temperature of Solder: $245 \pm 5^{\circ}\text{C}$ Immersion Duration: $3 \pm 0.5$ second Refer to JIS C 5201-1 4.17	Uniform coating of solder cover minimum of 95% surface being immersed
High Temperature Exposure (JESD22-A103C)	Kept at $100^{\circ}\text{C}$ for 1,000 hours.	$\Delta R: \pm 10\%$ Without distinct damage in appearance
Thermal Shock (JESD22-A104C)	$-55^{\circ}\text{C}/25^{\circ}\text{C}/125^{\circ}\text{C}/25^{\circ}\text{C}$ , 100 cycles.	$\Delta R < 10\%$ Without distinct damage in appearance
Current Rush Withstand	80A-10ms-On, 9990ms-Off, 500cycle.	No fusing

**Recommended Solder Pad Dimensions:**

The printed circuit board thickness is 1.2mm.

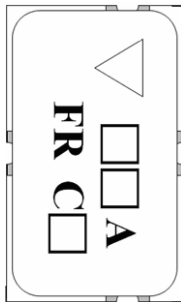
The thickness of tin plated copper layers is 2oz.

Recommended thickness of solder printing board is 0.12mm at least.



Type	a	b	c	d
10A	11.7	1.5	6	1.5

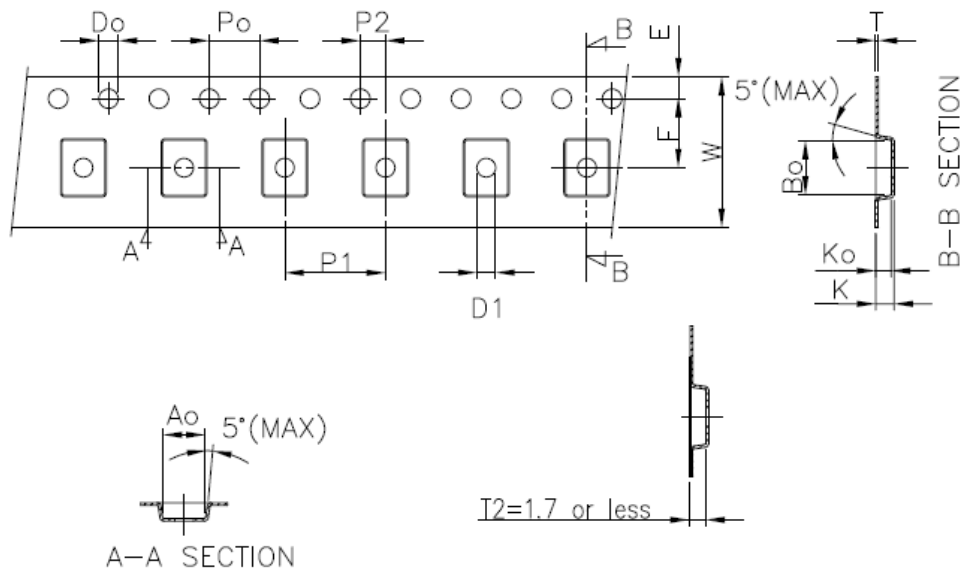
Unit: mm



Chip setting

**Packaging :**

Tape packaging dimensions

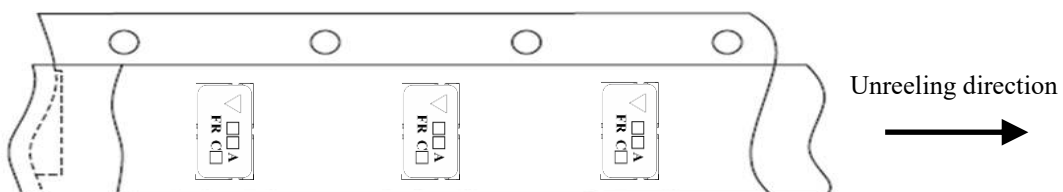


UNIT:mm

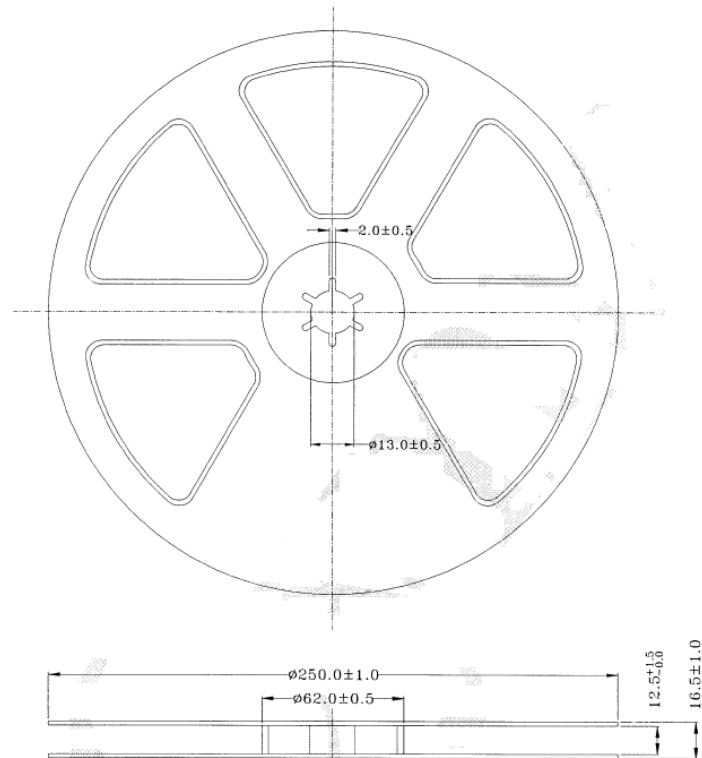
symbol	$A_o$	$B_o$	$K_o$	$P_o$	$P_1$	$P_2$	$T$
spec	$3.50 \pm 0.10$	$4.50 \pm 0.10$	$1.25 \pm 0.10$	$4.00 \pm 0.10$	$8.00 \pm 0.10$	$2.00 \pm 0.05$	$0.30 \pm 0.10$
symbol	$E$	$F$	$D_o$	$D_1$	$W$	$10P_o$	$K$
spec	$1.75 \pm 0.10$	$5.50 \pm 0.05$	$1.55 \pm 0.05$	$1.50 \pm 0.10$	$12.0 \pm 0.30$	$40.0 \pm 0.20$	1.60 or less

**Direction**

The direction shall be seen from the top cover tape side.



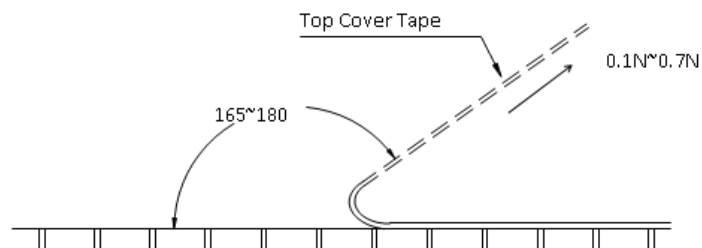
## Reel dimensions



Number of Taping: 2,000 pieces/reel

**Peel strength of top cover tape :**

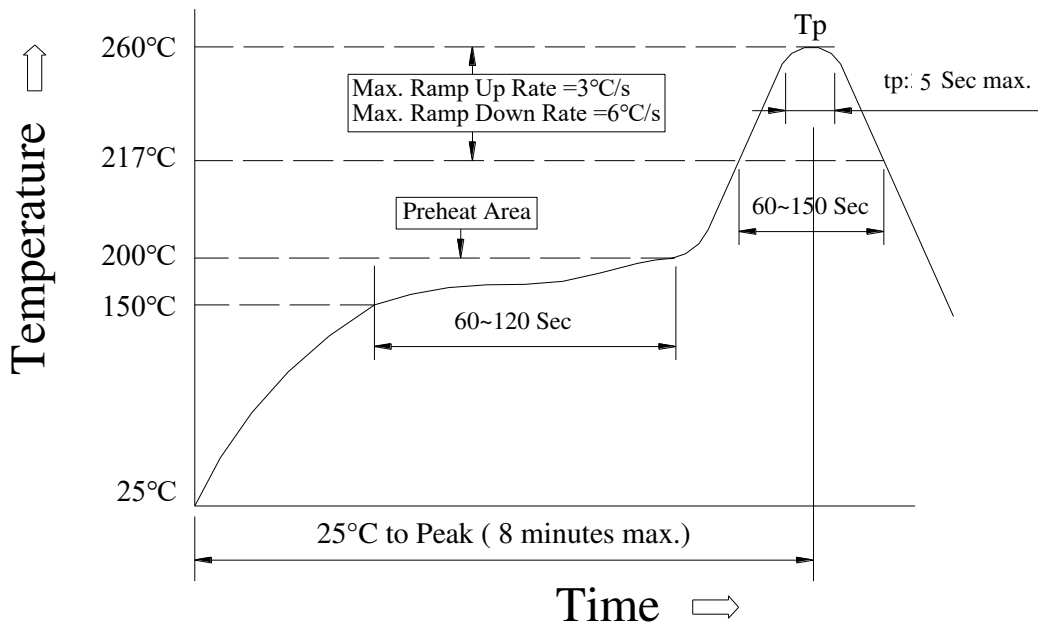
The peel speed shall be about 300mm/min.


**Label Marking:**

The following items shall be marked on the reel:

1. Type designation
2. Quantity
3. Manufacturing date code
4. Manufacturer's name
5. The country of origin



**Sn plating Reflow Profile :**

**Reflow Soldering Method:**

Reflow Soldering	Tp: 255~260°C	Max. 5 seconds
	217°C	60~150 seconds
Pre-Heat	150~200°C	60~120 seconds
Time 25°C to peak temperature	8 minutes max.	

Note: Meet JEDEC J-STD-020D

**Characteristics :**

Functional temperature range: -25~85°C

Operating temperature range: -10~65°C (Fusing time <1min)

Test temperature range: 25 ± 5°C

Ambient condition

Relative humidity: 45~85%

Air Pressure: 86~106kPa

**Other Information :**

Soldering iron method

Bit temperature:  $300 \pm 5^{\circ}\text{C}$

Application of soldering iron: 3 seconds MAX

Apply the soldering iron to the electrode.

The specimen shall be stored at standard atmospheric condition for 24h, after which the measurements shall be made. Do not suggest products for re-work.

Product storage conditions

This product should be dark and at ambient temperature is less than  $40^{\circ}\text{C}$  or relative humidity less than 60% RH place, in the above storage conditions the storage period of 6 months.

Precautions on use

Avoid contact with the resin film with this product, its resin may seep into the product, so the product does not apply to the resin material relevance, its properties can't be fully guaranteed.