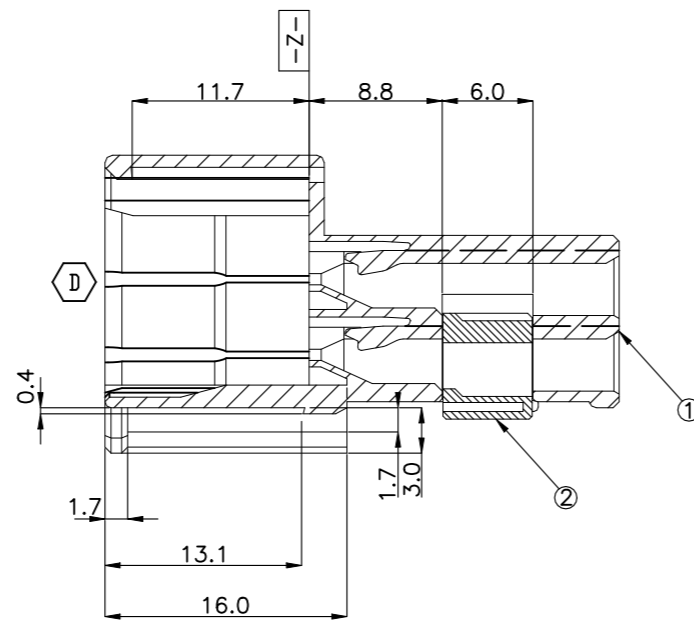
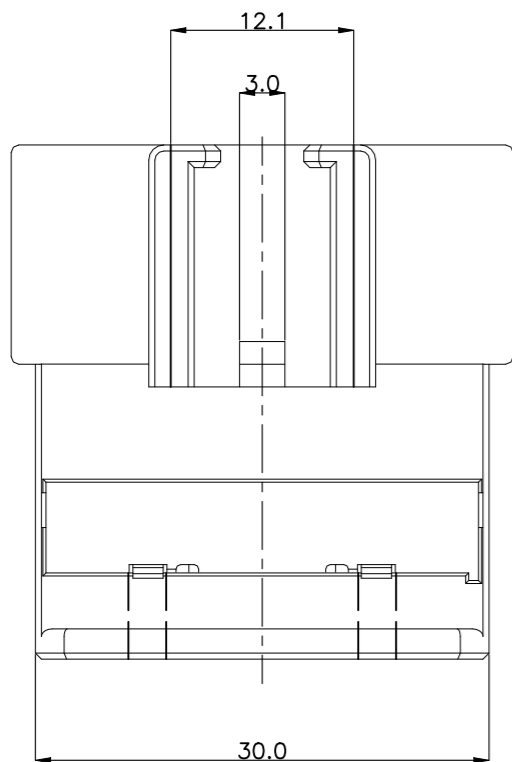
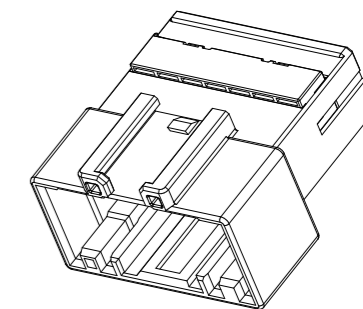
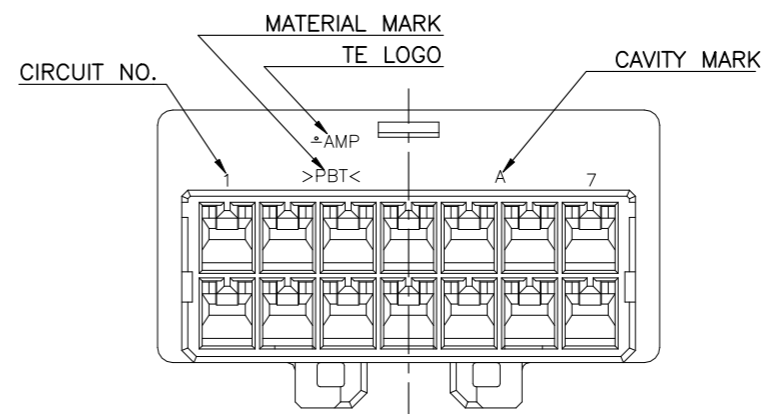
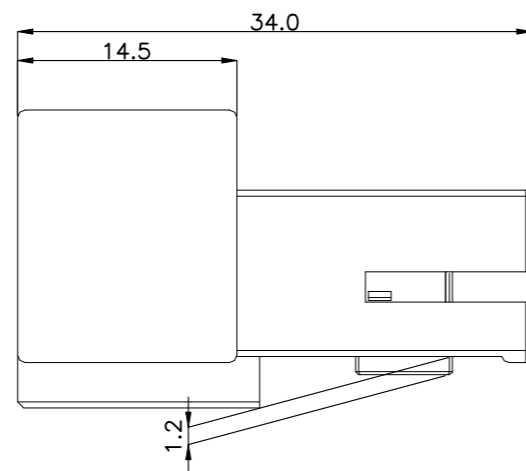
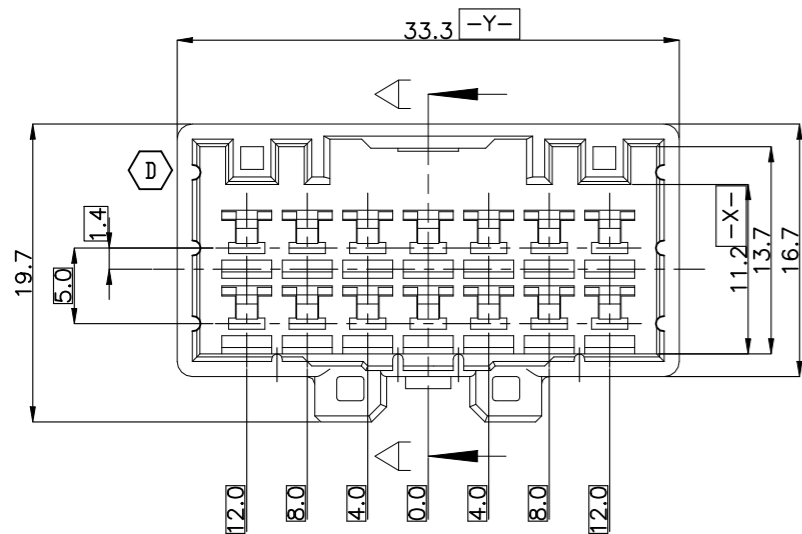


REVISIONS

P	LTR	DESCRIPTION	DATE	DWN	APVD
	D2	REVISED(ECR-22-135846)	13APR2022	HG	YJ



SECTION A-A

NOTES.

- THE MATING HSG. P/N ; 936199
- APPLIED CONTACT P/N ; 090 II TAB.- 368086,368087,368088,1897752

-추가-

- 상대 하우징 P/N. ; 936199
- 적용단자 P/N. : 090 II TAB.- 368086,368087,368088,1897752

OBSOLETE

ASSY P/N	QTY
0-936209-8	1
0-936209-7	1
0-936209-6	1
0-936209-5	1
0-936209-4	1
0-936209-3	1
0-936209-2	1
0-936209-1	1

NO	COLOR	MATERIAL	DESCRIPTION	P/N	QTY
1	BLUE	PBT	CAP	0-936210-8	1
	GREEN	PBT	CAP	0-936210-7	1
	RED	PBT	CAP	0-936210-6	1
	YELLOW	PBT	CAP	0-936210-5	1
	BROWN	PBT	CAP	0-936210-4	1
	D/GRAY	PBT	CAP	0-936210-3	1
	BLACK	PBT	CAP	0-936210-2	1
	NATURAL	PBT	CAP	0-936210-1	1
2	NATURAL	PBT	DBL	0-936198-1	1 1 1 1 1 1 1 1

TOLERANCES UNLESS OTHERWISE SPECIFIED:

0 <XX<10	± 0.2
10<XX<30	± 0.25
30<XX	± 0.3
ANGLES	± 3°

THIS DRAWING IS A CONTROLLED DOCUMENT.

DIMENSIONS:	TOLERANCES UNLESS OTHERWISE SPECIFIED:
mm	0 PLC ± -
	1 PLC ± -
	2 PLC ± -
	3 PLC ± -
	4 PLC ± -
	ANGLES ± -
MATERIAL	FINISH
SEE TABLE	-

DWN	KT JUNG			STE TE Connectivity					
CHK	JW JUNG								
APVD	HG CHO								
PRODUCT SPEC									
APPLICATION SPEC				090III 14P CAP ASS'Y					
WEIGHT	0	SIZE	A3	CAGE CODE	00779	DRAWING NO	C-936209	RESTRICTED TO	-
CUSTOMER DRAWING		SCALE	1:1	SHEET	1 OF 1	REV	D2		