

6

5

4

3

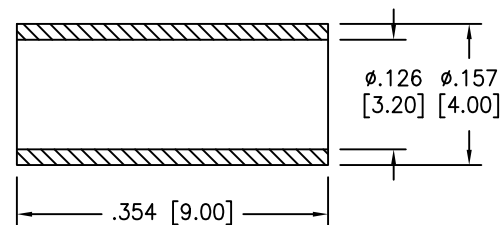
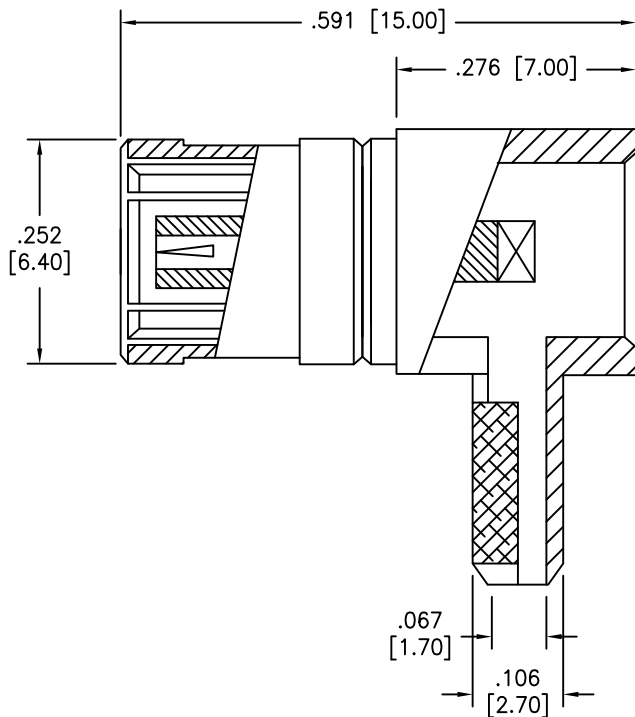
2

1

APPROVED: _____

DATE: _____ TITLE: _____

Rev	AWO #	Description	Date	Appr
-		RELEASED	12/22/11	



FERRULE	BRASS	GOLD
SPIGOT	BRASS	GOLD
INSULATOR	TEFLON	
PIN	BRASS	GOLD
BODY	BRASS	GOLD
DESCRIPTION	MATERIAL	FINISH

SPECIFICATIONS:

Electrical:
 Nominal Impedance: 75 ohms
 Frequency range: 0-4 GHz
 Working Voltage: 335 VRMS max.
 Dielectric Withstanding Voltage: 1000 VRMS min.
 Contact Resistance: 6 Milliohms max. (Center Contact)
 2.5 Milliohms max. (Outer Contact)
 Insulator Resistance: 1000 Megohms min.
 Environmental:
 Lead free, RoHS compliant.



UNLESS OTHERWISE SPECIFIED
 ALL DIMENSIONS ARE INCHES [MM]
 TOLERANCES: EXCEPT AS NOTED
 INCHES HOLES

.X ± .10	∅X ± .10
.XX ± .020	∅XX ± .015
.XXX ± .015	∅XXX ± .010

ADAM TECH

909 Rahway Avenue, Union, NJ 07083
 Phone: 908-687-5000 Fax: 908-687-5710

APPROVALS		DATE
DRAWN	AY	12/22/11
CHECKED	NP	12/22/11
APPROVED		

TITLE		
SMB MALE R/A, 75 OHMS, GOLD PLATED		
SIZE	PART NO.	REV.
X	RF3-03-T-03-75-G	-
REF:	S00049T	SCALE: NTS
SHEET 1 OF 1		

6

5

4

3

2

1