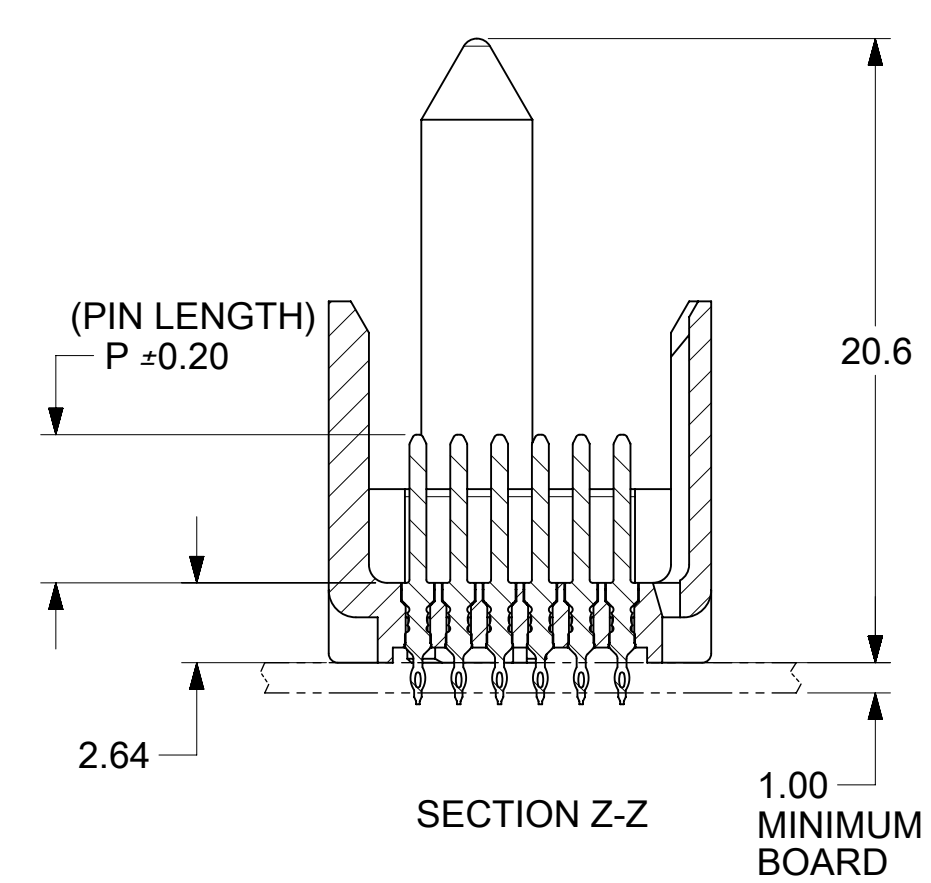
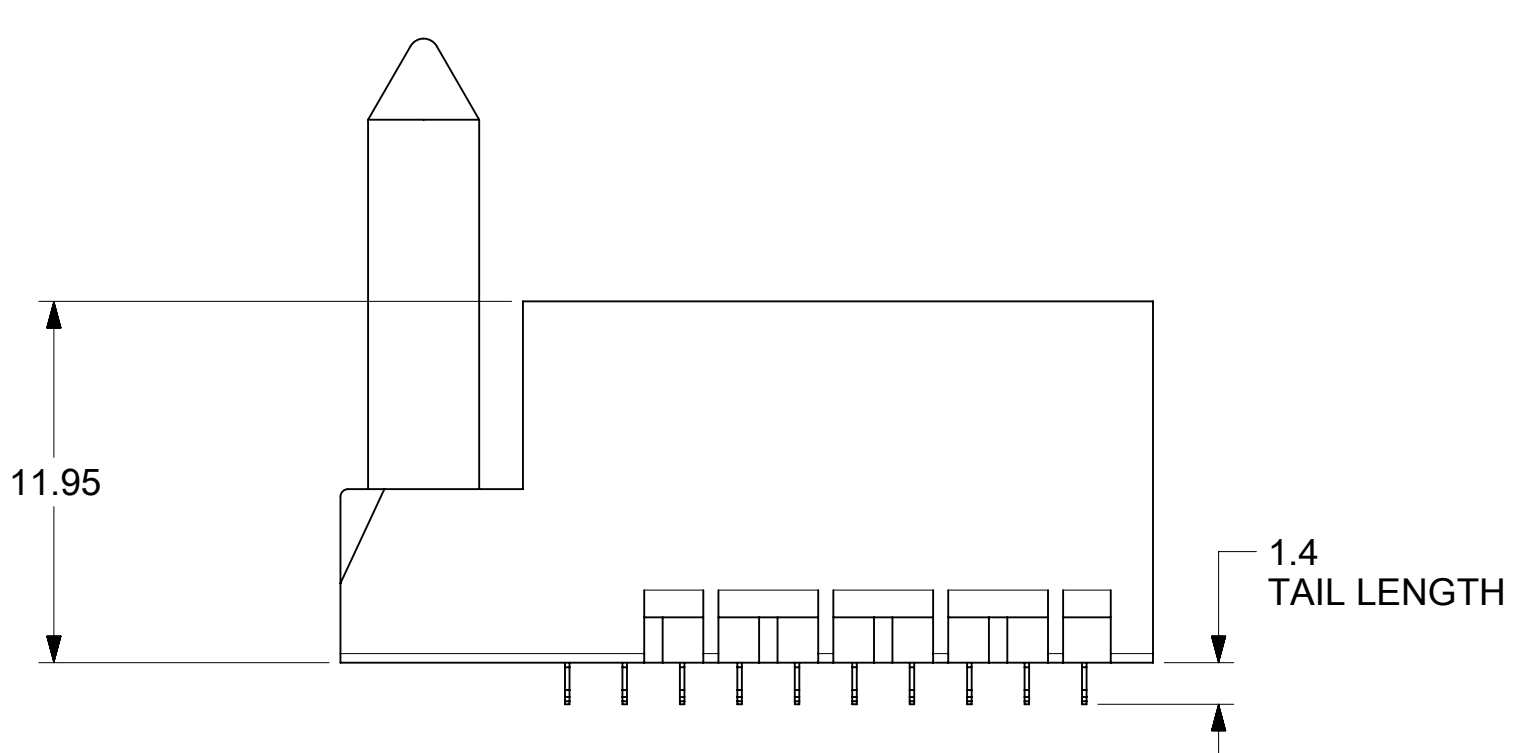
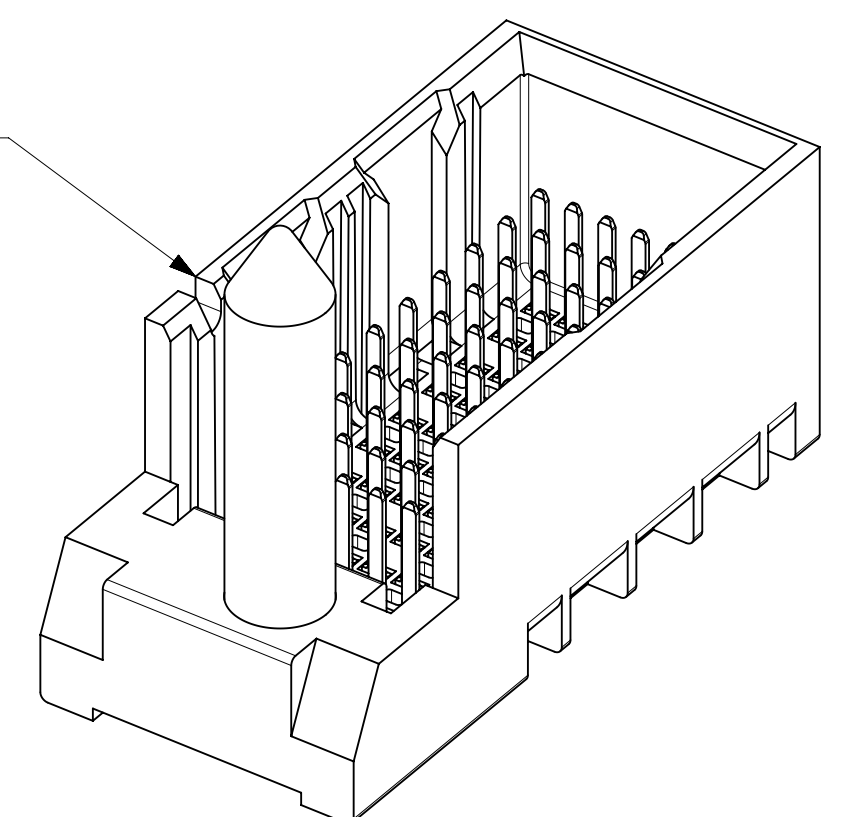


LEFT GUIDED
BACKPLANE HOLE PATTERN
(CONNECTOR SIDE)
SEE NOTE 11

SEE PART NUMBER CHART
AND
PART NUMBER LOGIC
(6 HOLES PER COLUMN)



NOTCH DESIGNATES
ROW A

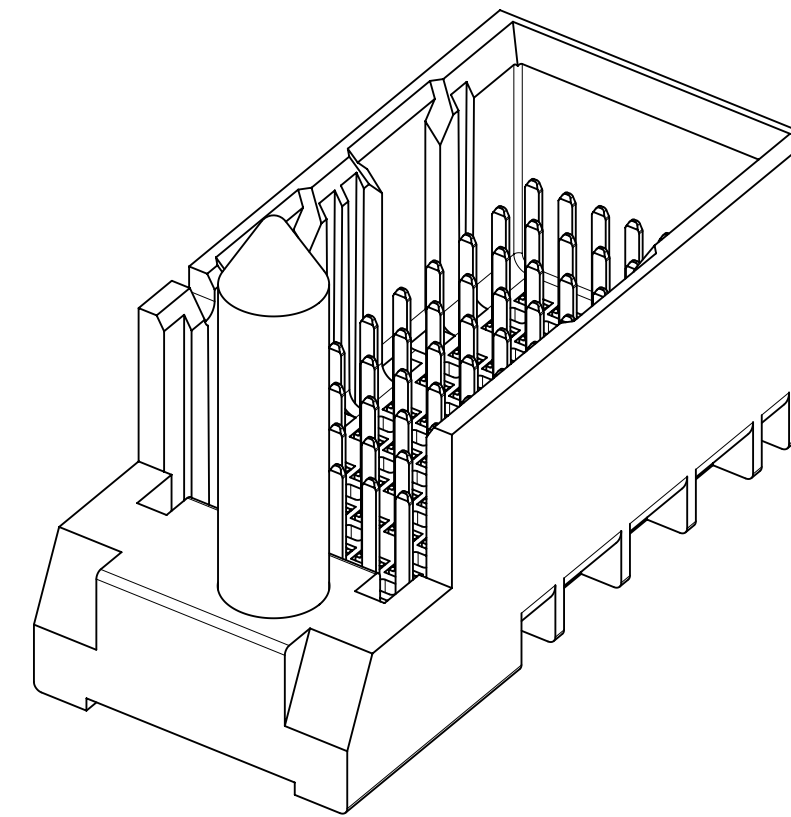


- NOTES:
- MATERIALS: HOUSING - LIQUID CRYSTAL POLYMER (LCP)
GLASS-FILLED, UL94V-0
TERMINALS - HIGH PERFORMANCE COPPER ALLOY
 - FINISH: 30µ MIN GOLD IN CONTACT AREA.
SELECTIVE TIN ON PCB TAILS.
NICKEL OVERALL.
 - REFER TO MOLEX PRODUCT SPECIFICATION PS-76060-999
FOR PERFORMANCE SPECIFICATIONS AND ADDITIONAL PCB INFORMATION.
 - THIS PART CONFORMS TO CLASS B REQUIREMENTS OF
MOLEX COSMETIC SPEC PS-45499-002.
 - PACKAGE PER: PK-70873-761.
 - SEE SHEETS 2 & 3 FOR PART NUMBERS AND BOARD RELATIONSHIPS.
 - MATES WITH IMPACT DC SERIES NO. 76460.
 - KEEP OUT ZONE FOR BP HOUSING LENGTH INCLUDES AN ADDITIONAL 1.0MM
TO ACCOMMODATE FOR SPACE REQUIRED BY DC FRONT HOUSING.
 - REFER TO MOLEX PCB ROUTING GUIDE AS-76060-990 FOR ANTIPAD AND
ROUTING RECOMMENDATIONS.
 - CONNECTORS SUPPLIED WITH A 2-56 UNC-2A SCREW.
 - "THESE DIMENSIONS REPRESENT THE AREA NEEDED TO ACCOMMODATE CONNECTOR
INSERTION AND REPAIR ON THE PC BOARD. THIS IS REFERRED TO AS THE
"CONNECTOR KEEP OUT ZONE" AND DOES NOT REPRESENT THE ACTUAL PERIMETER
OF THE CONNECTOR. WHEN LAYING OUT A PC BOARD FOR CONNECTORS STACKED
TOGETHER, USE A 1.9mm PROGRESSION."

THIS DRAWING CONTAINS INFORMATION THAT IS PROPRIETARY TO MOLEX ELECTRONIC TECHNOLOGIES, LLC AND SHOULD NOT BE USED WITHOUT WRITTEN PERMISSION											
DRAWING CORRECTION	EC NO: 175272	2018/04/19	DRWN: HILGOH	2018/04/23	GENERAL TOLERANCES (UNLESS SPECIFIED)	DIMENSION UNITS	SCALE				
	CHKD: JLTAN06	2018/05/09	CHKD: JLTAN06	2018/05/09	ANGULAR TOL ± 0.5 °	MM	4:1				
	REV: G3	APPR: DWLE01	MSANDBERG	2007/06/18	4 PLACES ±	DRWN BY	DATE	IMPACT 2 PAIR HEADER LEFT GUIDED ASSEMBLY SALES DRAWING			
	DRAFT WHERE APPLICABLE MUST REMAIN WITHIN DIMENSIONS		JLAURX	2007/06/18	3 PLACES ±	CHKD BY	DATE				
		JLAURX	2010/10/15	2 PLACES ± 0.13	APPR BY	DATE	PRODUCT CUSTOMER DRAWING				
		JLAURX	2010/10/15	1 PLACE ± 0.25	SERIES	MATERIAL NUMBER					CUSTOMER
		JLAURX	2010/10/15	0 PLACES ±	76455	SEE TABLE	GENERAL MARKET	DOCUMENT NUMBER: SD-76455-002 DOC TYPE: PSD DOC PART: 001 SHEET NUMBER: 1 OF 3			
		JLAURX	2010/10/15	0 PLACES ±							

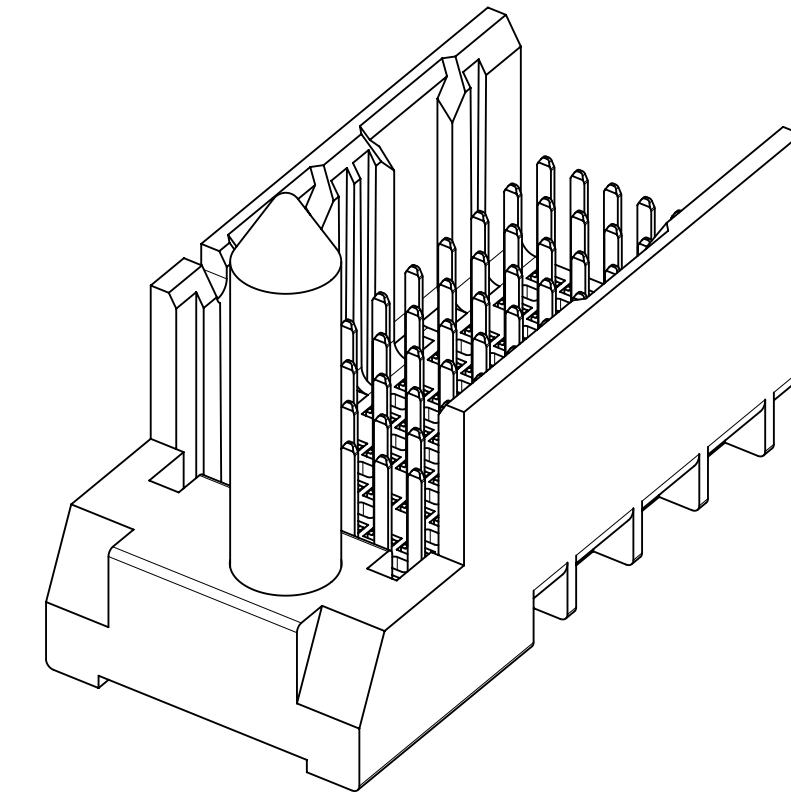
PART NUMBER TABLE

MATERIAL NUMBER	# OF COLUMNS	# OF DIFF PAIR	DIM 'A'	DIM 'B'	GUIDE LEFT END WALL OPTION
76455-*10*	10	20	26.9	17.10	
76455-*60*	16	32	38.3	28.50	



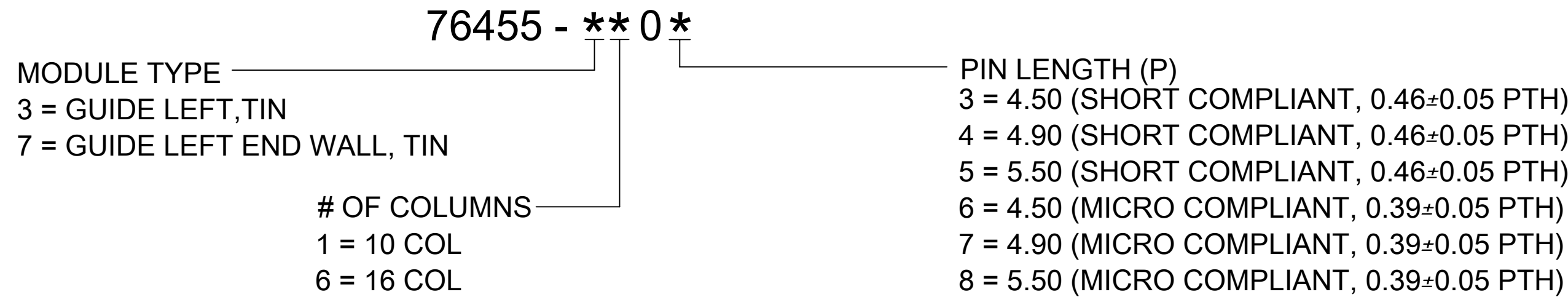
GUIDE LEFT
END WALL
OPTION

MATERIAL NUMBER	# OF COLUMNS	# OF DIFF PAIR	DIM 'A'	DIM 'B'	GUIDE LEFT OPEN WALL OPTION
76455-*10*	10	20	25.5	17.10	
76455-*60*	16	32	36.9	28.50	



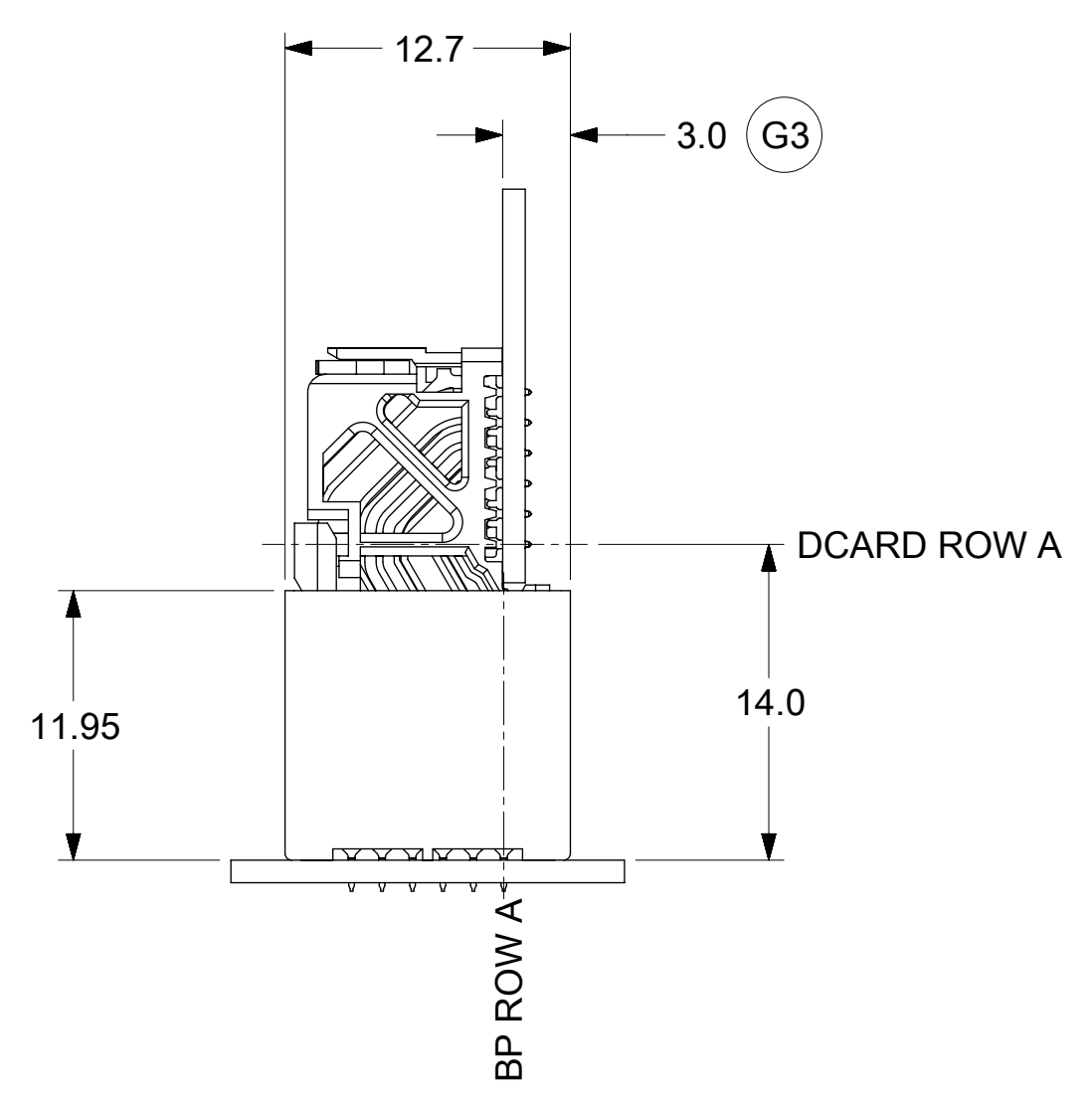
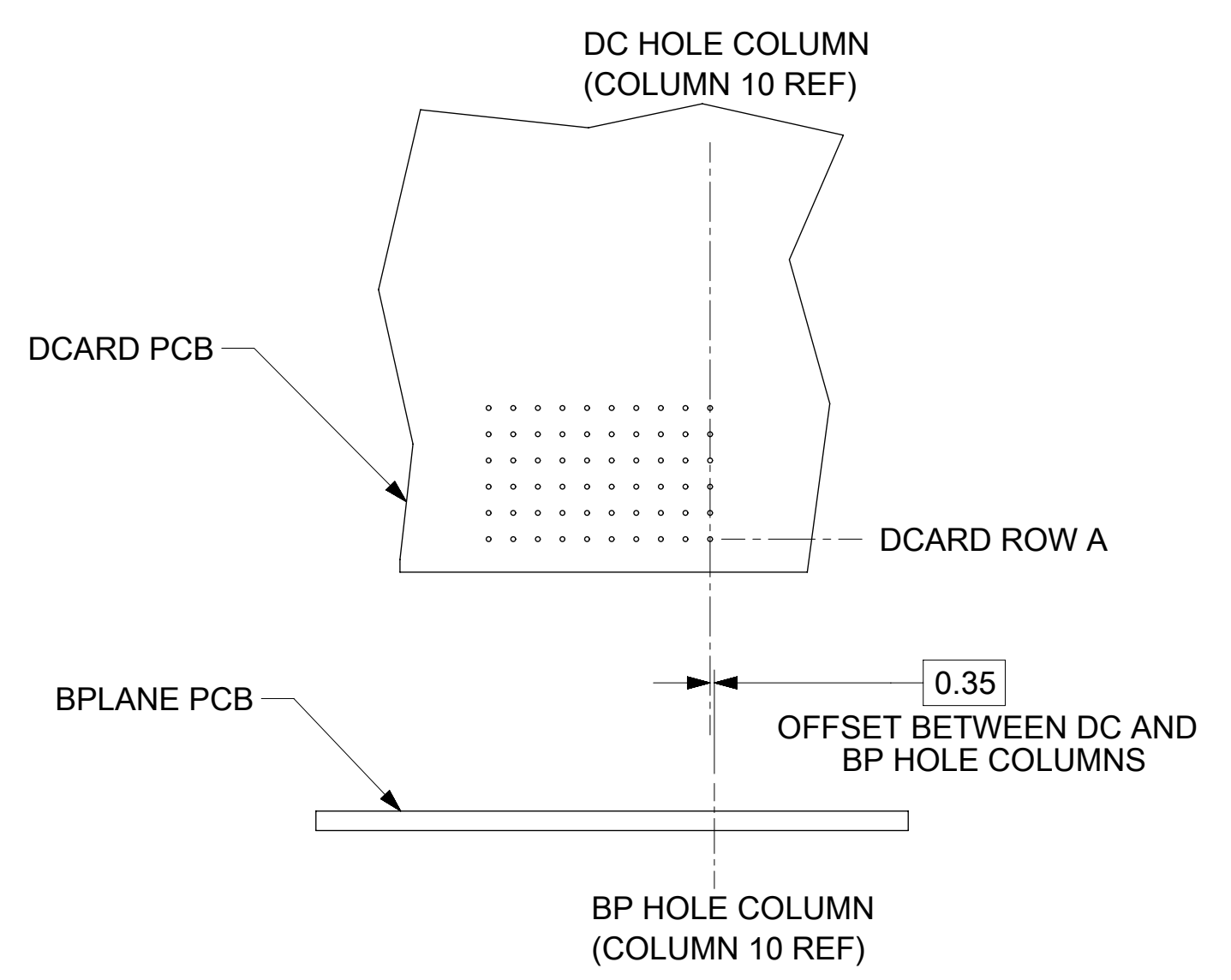
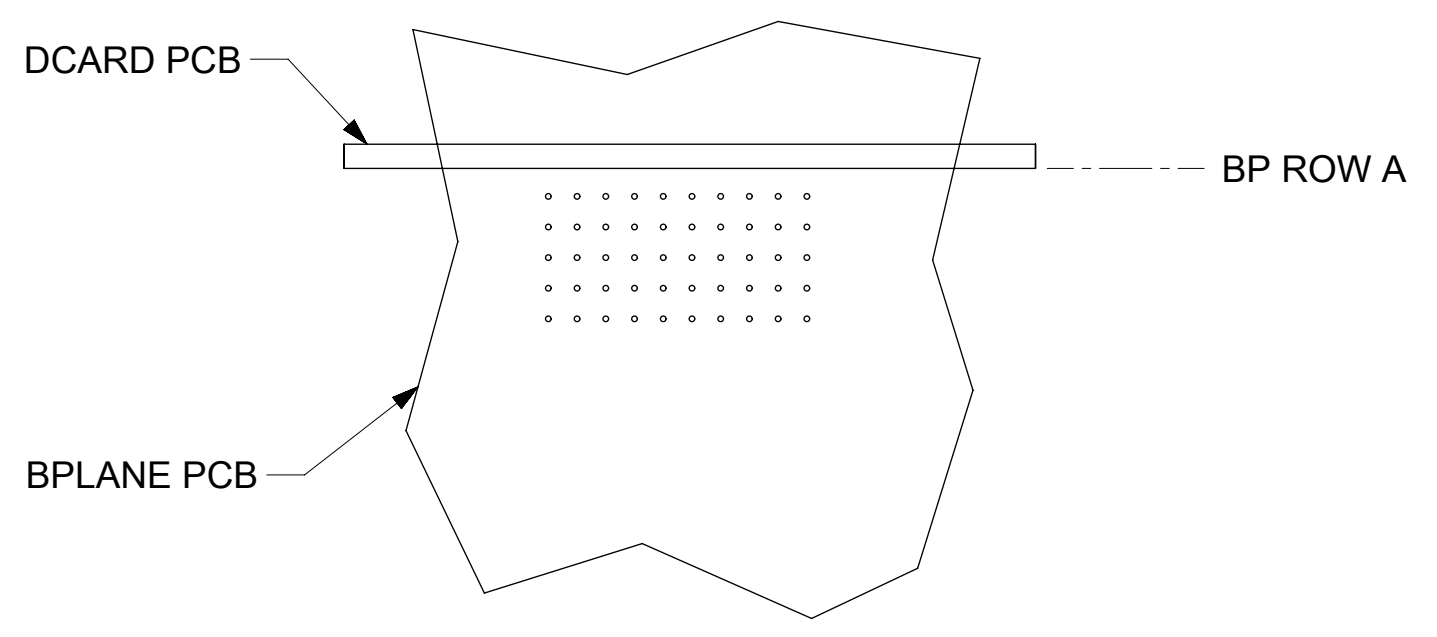
GUIDE LEFT
OPEN WALL
OPTION

PART NUMBER LOGIC



THIS DRAWING CONTAINS INFORMATION THAT IS PROPRIETARY TO MOLEX ELECTRONIC TECHNOLOGIES, LLC AND SHOULD NOT BE USED WITHOUT WRITTEN PERMISSION												
DRAWING CORRECTION	2018/04/19	GENERAL TOLERANCES (UNLESS SPECIFIED)	DIMENSION UNITS		SCALE		molex					
	2018/04/23		MM	4:1								
	2018/05/09		ANGULAR TOL ± 0.5 °	DRWN BY	DATE	IMPACT 2 PAIR HEADER LEFT GUIDED ASSEMBLY SALES DRAWING						
			4 PLACES ±	MSANDBERG	2007/06/18							
			3 PLACES ±	CHK'D BY	DATE	PRODUCT CUSTOMER DRAWING						
			2 PLACES ± 0.13	JLAURX	2007/06/18							
	1 PLACE ± 0.25	APPR BY	DATE	SERIES		MATERIAL NUMBER		CUSTOMER				
	0 PLACES ±	JLAURX	2010/10/15	76455	SEE TABLE	GENERAL MARKET						
EC NO: 175272	DRWN: HILGOH	CHK'D: JLTAN06	REV: APPR: DWLEED01	DRAWING SIZE		THIRD ANGLE PROJECTION		DOCUMENT NUMBER		DOC TYPE	DOC PART	SHEET NUMBER
G3				C				SD-76455-002	PSD	001	2 OF 3	

IMPACT 2 PAIR BOARD RELATIONSHIPS



THIS DRAWING CONTAINS INFORMATION THAT IS PROPRIETARY TO MOLEX ELECTRONIC TECHNOLOGIES, LLC AND SHOULD NOT BE USED WITHOUT WRITTEN PERMISSION											
DRAWING CORRECTION	EC NO:	175272	GENERAL TOLERANCES (UNLESS SPECIFIED)		DIMENSION UNITS	SCALE					
	DRWN:	HILGOH	ANGULAR TOL ± 0.5 °		MM	2:1					
	CHKD:	JL TAN06	4 PLACES	±	DRWN BY		DATE				
	REV	APPR: DWLEED01	3 PLACES	±	MSANDBERG		2007/06/18				
			2 PLACES	± 0.13	CHKD BY		DATE				
			1 PLACE	± 0.25	JLAURX		2007/06/18				
		0 PLACES	±	APPR BY		DATE					
				JLAURX		2010/10/15					
DRAFT WHERE APPLICABLE MUST REMAIN WITHIN DIMENSIONS				DRAWING SIZE	THIRD ANGLE PROJECTION		PRODUCT CUSTOMER DRAWING				
				C			SERIES	MATERIAL NUMBER	CUSTOMER		
							76455	SEE TABLE	GENERAL MARKET		
							DOCUMENT NUMBER		DOC TYPE	DOC PART	SHEET NUMBER
							SD-76455-002		PSD	001	3 OF 3