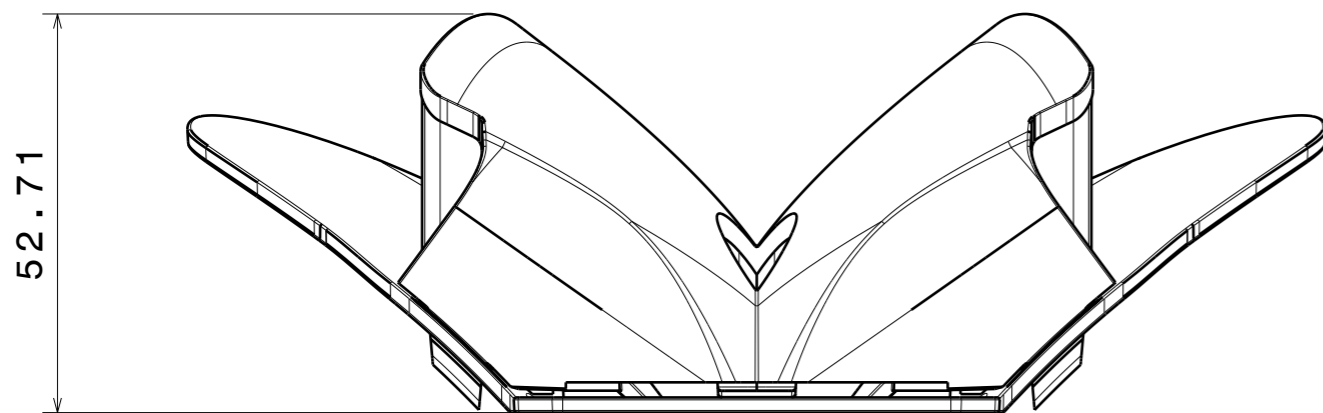
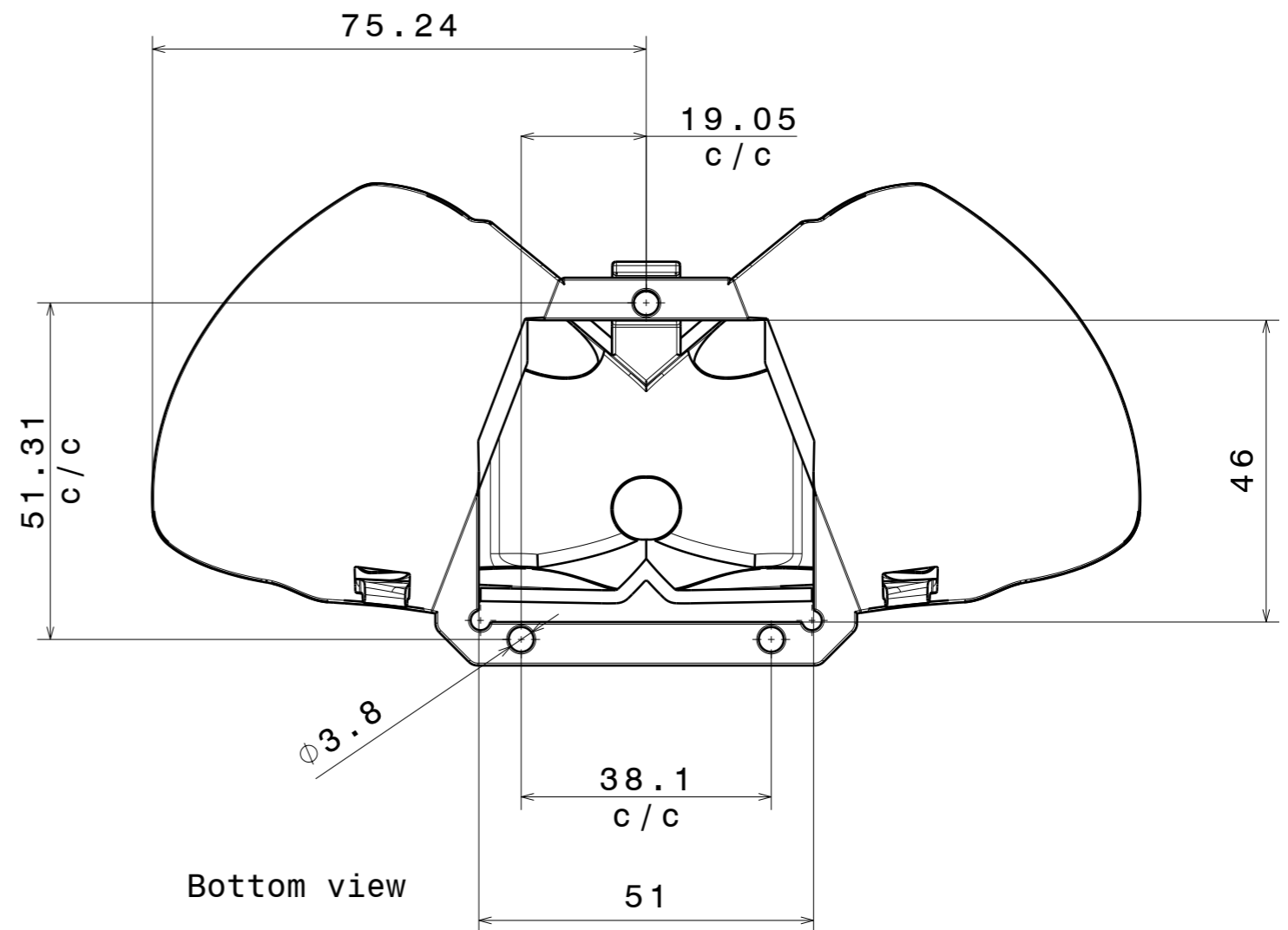


Top view



Rear view



Bottom view

INDEX	PART NO	DESCRIPTION	MATERIAL	COLOUR
1	C12180	BERTHA1-TYPE3-M-BASE	PEI, SiO2	metal
2	C12181	BERTHA1-TYPE3-M-TOP	PEI, SiO2	metal

Tolerances if not otherwise shown
 According to DIN ISO 2768-1
 Linear measures: class C
 According to DIN ISO 2768-2
 Form and position: class L

LEDiL Ledil Oy
 Salorankatu 10
 FIN 24240 SALO
 Finland

THIRD ANGLE PROJECTION:

DRAWING TITLE
CN12182_BERTHA-TYPE3-M

This drawing is the property of LEDiL Oy. It may not be reproduced, copied or communicated without a written agreement with LEDiL Oy.

SIZE	PART NUMBER
A3	CN12182
SCALE 1:1	WEIGHT 27,42 g
	SHEET 1/1