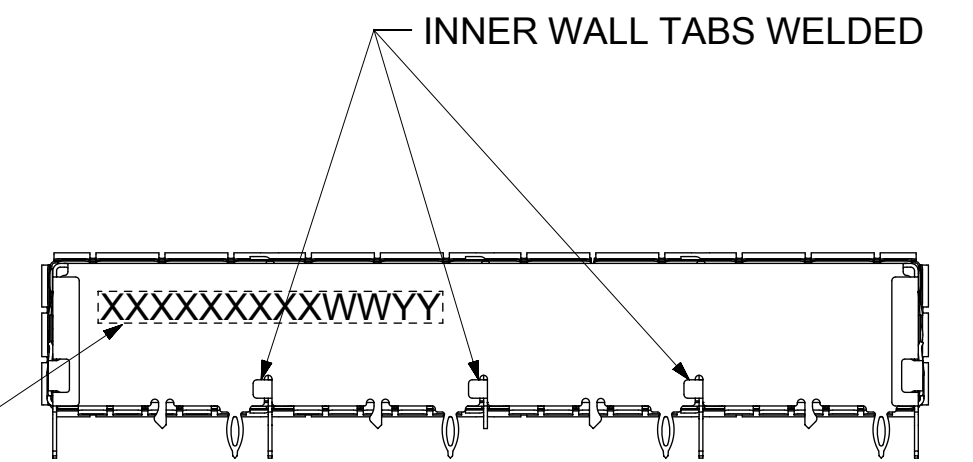
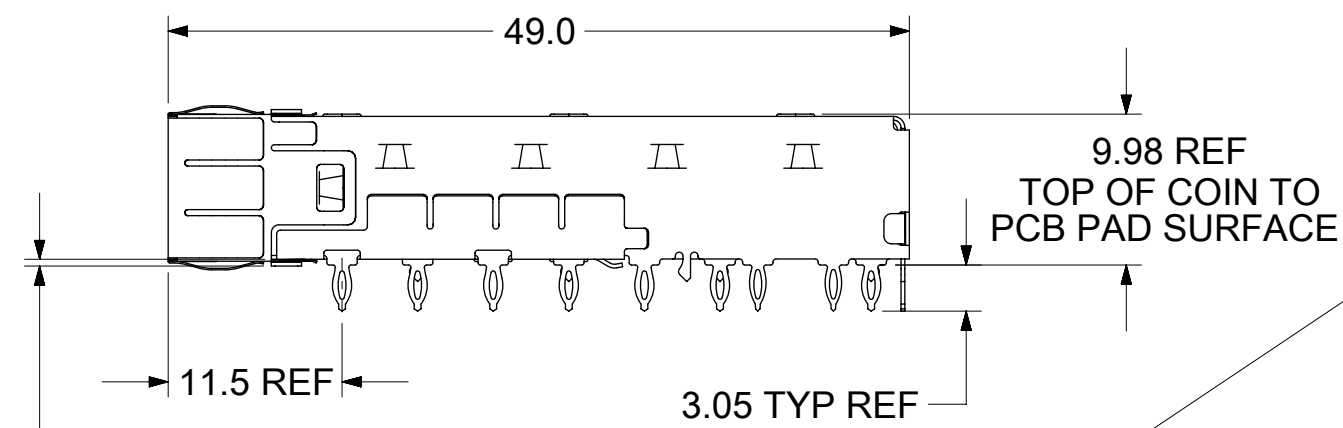
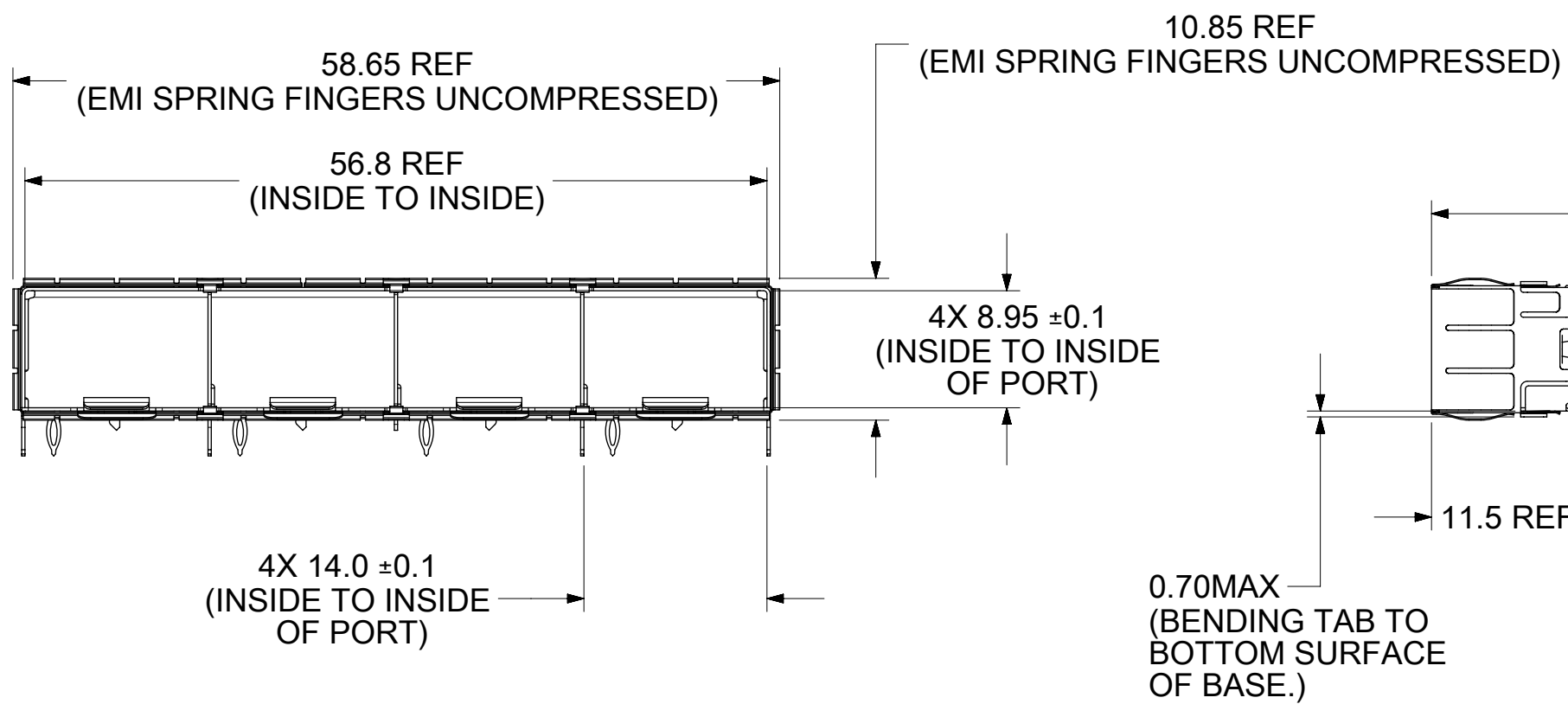
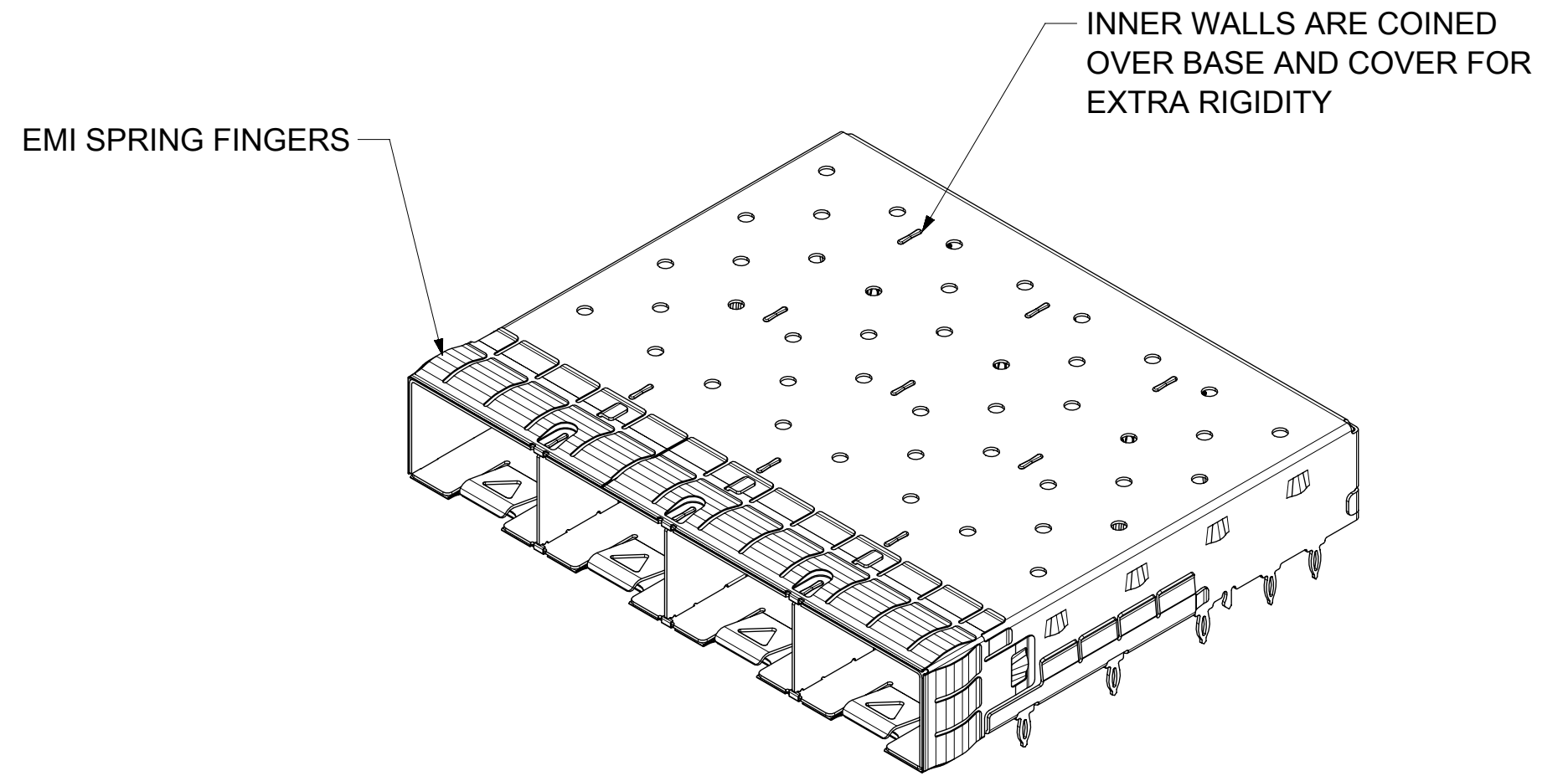
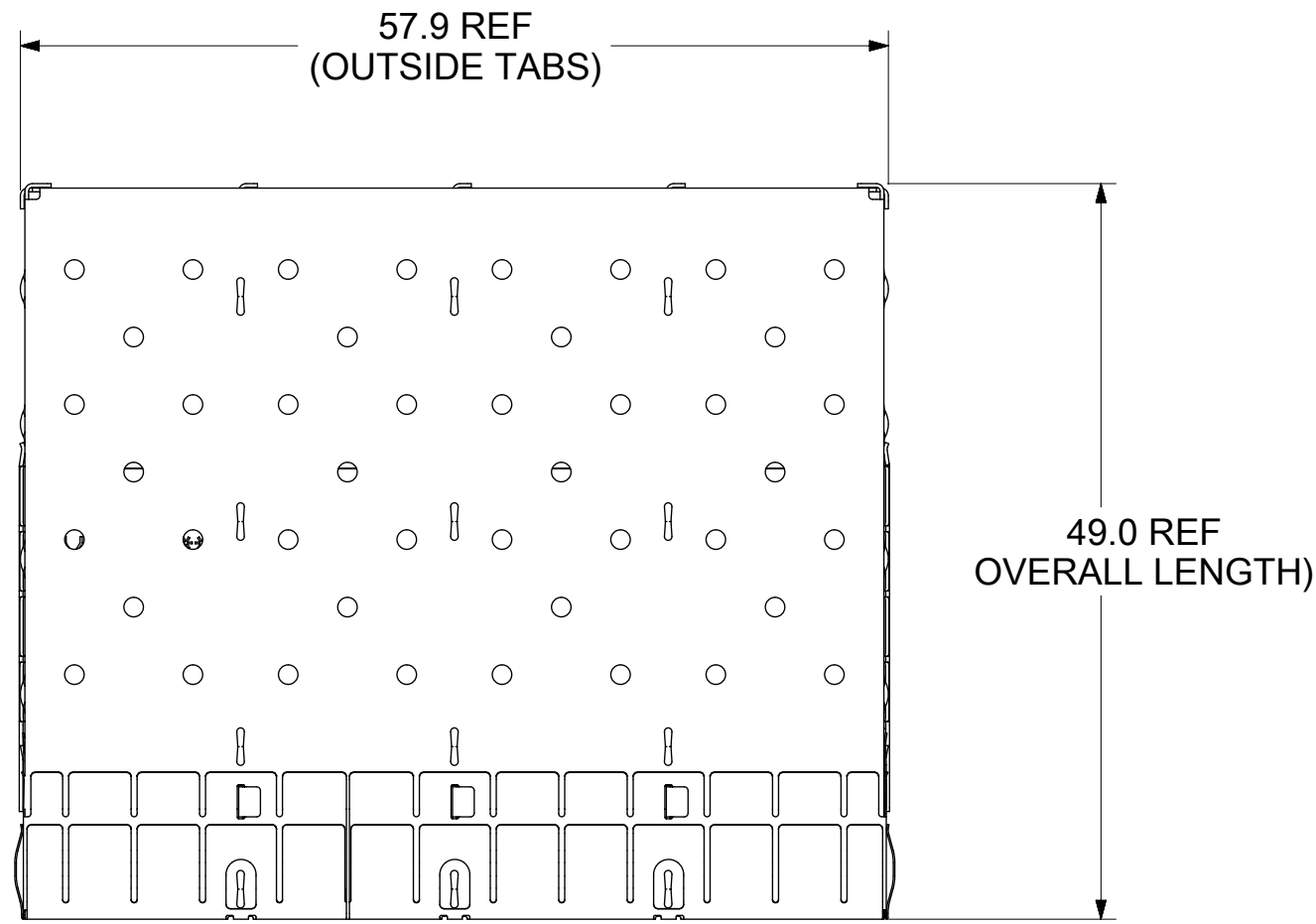


BASE CAGE DETAILS

(APPLIES TO ALL CAGES IN THIS DRAWING)

747548423

SHOWN



PART NO. AND WEEK/YEAR DATE CODE TO BE PRINTED ON THE BACK OF COMPLETED CAGE ASSEMBLY APPROXIMATELY AS SHOWN ON 74754 SERIES CAGE ASSEMBLIES.

NOTES:

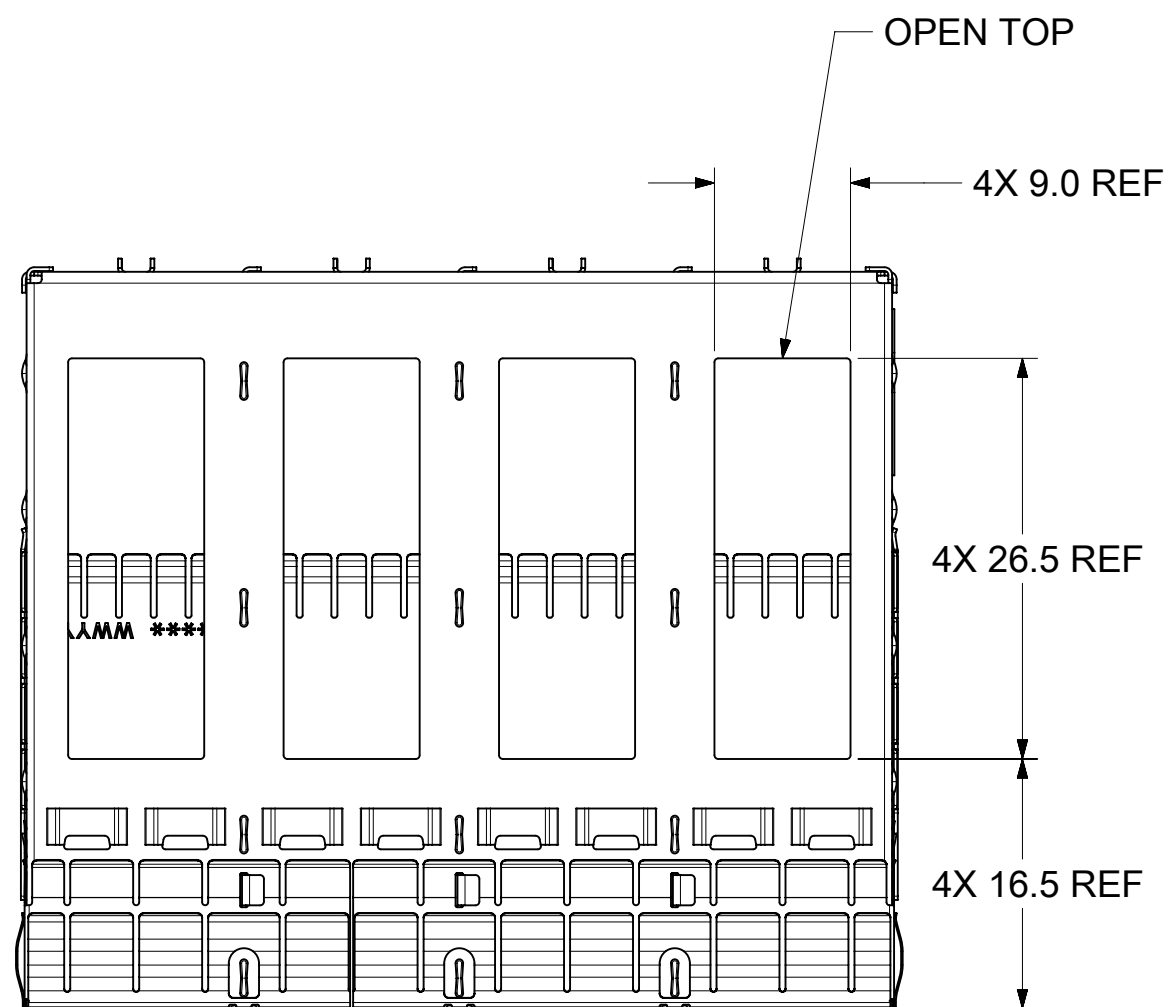
- MATERIAL:
CAGE: 0.25mm THICK COPPER ALLOY, NICKEL PLATED.
SPRING FINGERS: STAINLESS STEEL.
HEATSINK: ALUMINUM, NICKEL PLATED.
HEATSINK SPRING CLIP: STAINLESS STEEL.
- PRESS FIT LEGS 3.05mm LONG:
- PORTS ARE DESIGNED FOR SFP+ TRANSCEIVERS AND ARE COMPATIBLE WITH SFP TRANSCEIVERS.
THE TOP SURFACE OF THE MODULE MUST BE FLAT (NO PRODUCT LABEL RECESS)
AND THERMALLY CONDUCTIVE TO FUNCTION OPTIMALLY.
- WELD SPOT MAY SHOW SLIGHT MATERIAL DISCOLORATION.
- NO RoHS EXEMPTIONS.
- CUSTOM HEATSINKS AVAILABLE UPON REQUEST.

WEEK/YEAR DATE CODE TABLE	
WW	01 THRU 52 OR 53 EXAMPLE: 01 = FIRST WEEK OF YEAR 52 = LAST WEEK OF YEAR
YY	22, 23, 24,, ETC. EXAMPLE: YEAR 2022 = 22

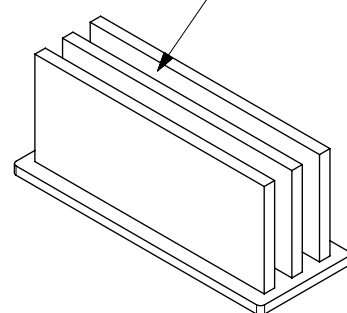
FUNCTIONAL SYMBOLS		THIS DRAWING CONTAINS INFORMATION THAT IS PROPRIETARY TO MOLEX ELECTRONIC TECHNOLOGIES, LLC AND SHOULD NOT BE USED WITHOUT WRITTEN PERMISSION		CURRENT REV DESC: SEE REVISION TABLE	
$\nabla_A = 0$	DIMENSION UNITS	SCALE			
	mm	2:1			
$\nabla_C = 0$	GENERAL TOLERANCES (UNLESS SPECIFIED)				
$\nabla_P = 0$	ANGULAR TOL	± 1.0°			
DIVISIONAL SYMBOLS	4 PLACES	±	EC NO: 707270		
	3 PLACES	±	DRWN: ABHILT2	2022/04/14	
	2 PLACES	± 0.15	CHK'D: TKUMARKC	2022/05/26	
	1 PLACE	± 0.25	APPR: SCHIEN	2022/06/01	
	0 PLACES	±	INITIAL REVISION:		
			DRWN: ABHILT2	2022/04/14	
			APPR: SCHIEN	2022/06/01	
DRAFT WHERE APPLICABLE MUST REMAIN WITHIN DIMENSIONS		THIRD ANGLE PROJECTION	DRAWING	SERIES	DOCUMENT NUMBER
			C-SIZE	111112	111128421
					DOC TYPE DOC PART REVISION
					PSD ASY A
					MATERIAL NUMBER CUSTOMER SHEET NUMBER
					SEE SHEET 3 1 OF 7

DOCUMENT STATUS	P1	RELEASE DATE	2022/06/01	06:40:57
-----------------	----	--------------	------------	----------

CAGE ASSEMBLY OPTIONS

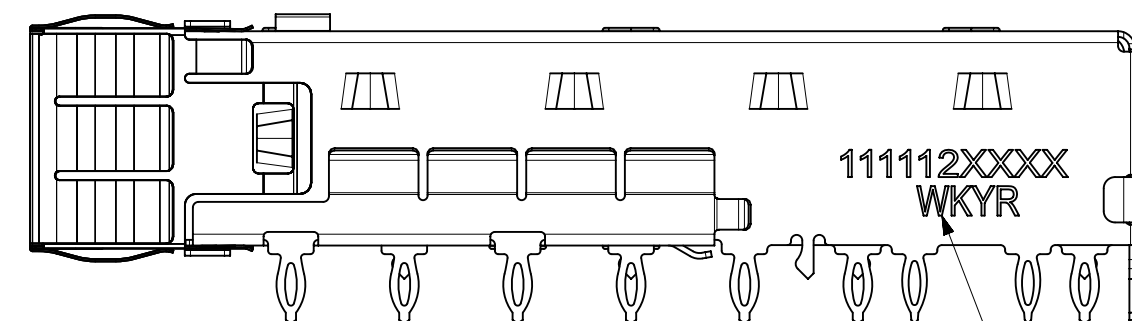


HEATSINK OPTIONS
CUSTOM FIN

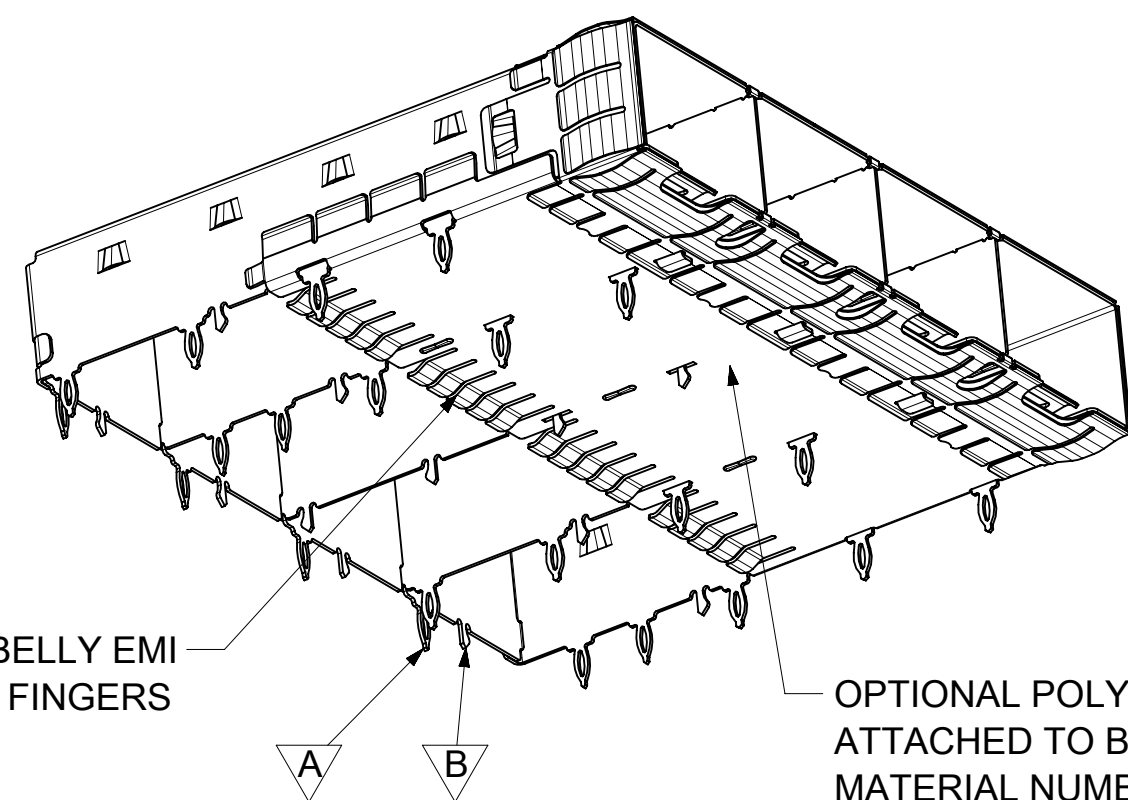
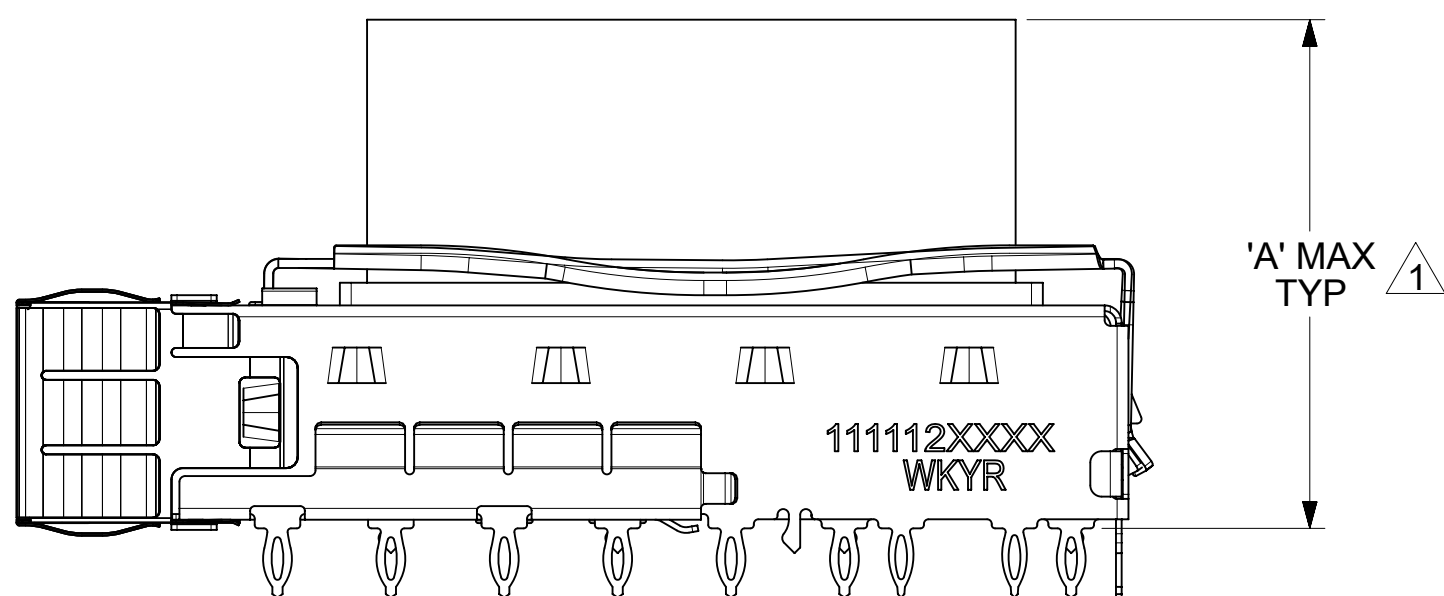


OVERALL HEATSINK HEIGHT

APPLICATION	DIM 'A'
CUSTOM	23.6



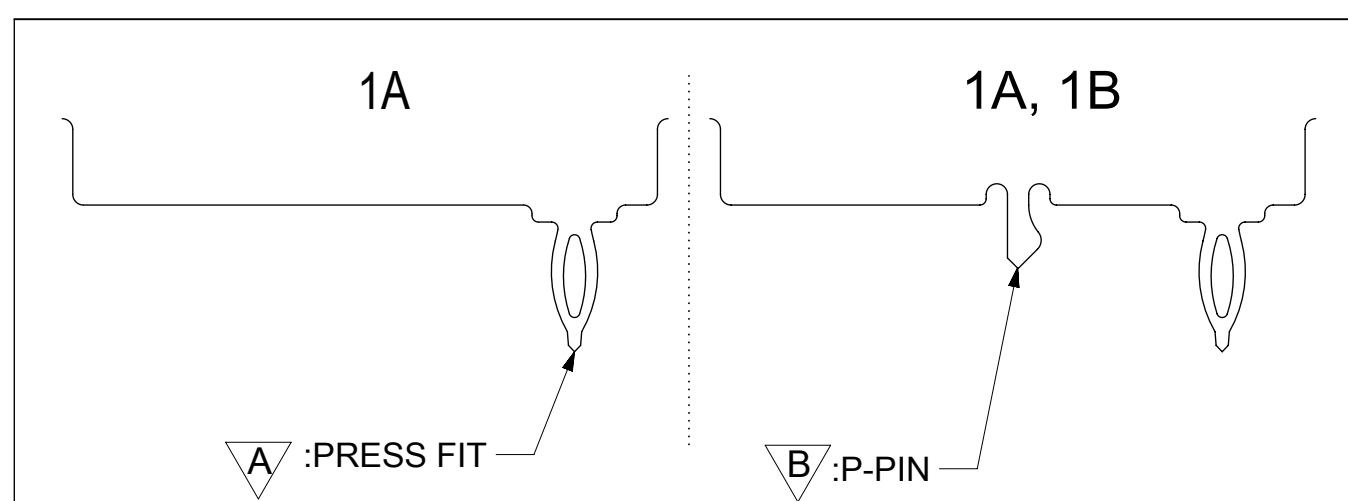
PART NO. AND WEEK/YEAR DATE CODE TO BE PRINTED ON THE SIDE OF COMPLETED CAGE ASSEMBLY APPROXIMATELY AS SHOWN FOR 11112 SERIES CAGE ASSEMBLIES.



NOTES:

- 1 HEIGHT OF HEATSINK WITH MODULE INSERTED. DIMENSION MAY BE LESS DUE TO MODULE AND HEATSINK VARIATIONS.

REAR LEG OPTIONS (PER PORT)

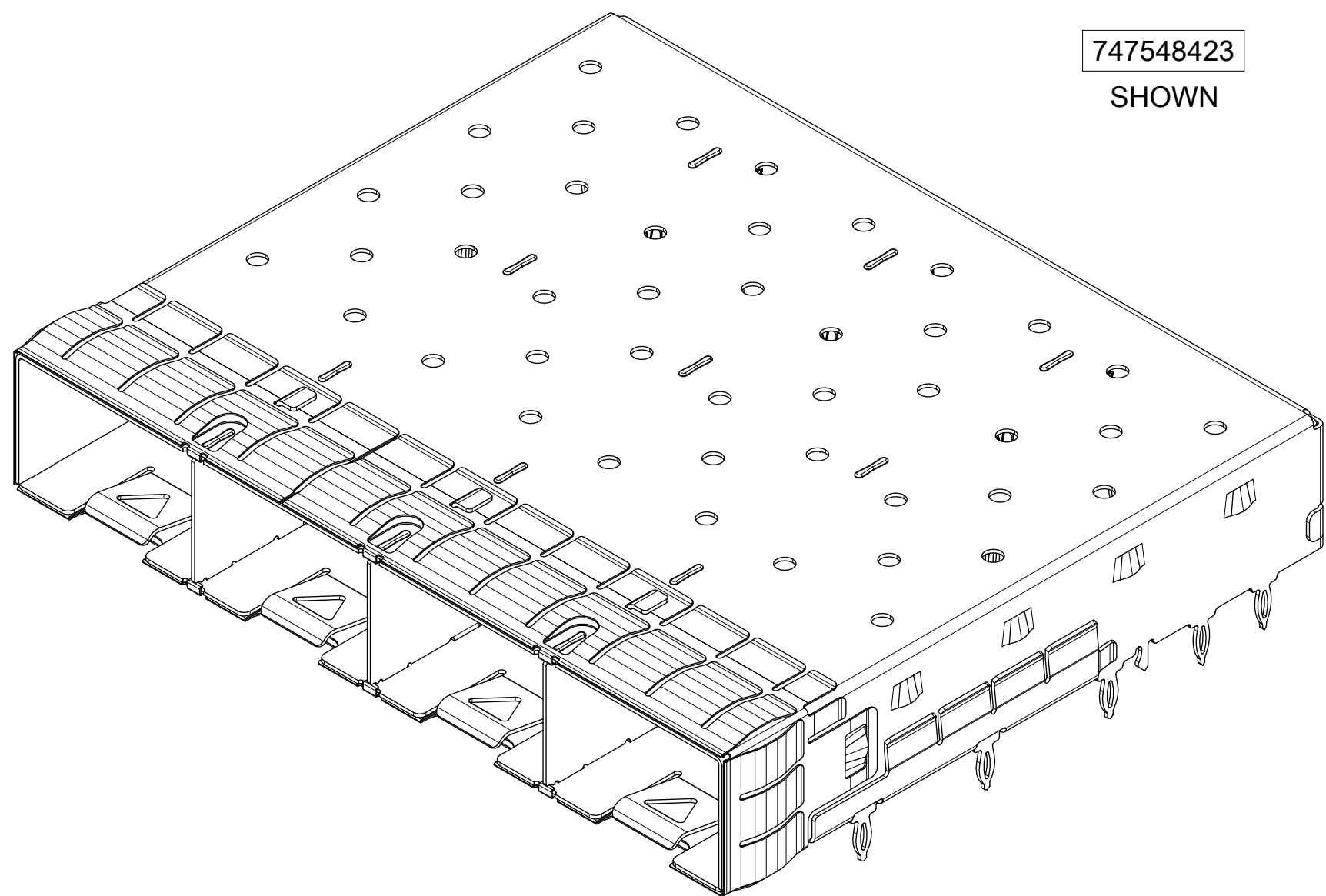


WEEK/YEAR DATE CODE TABLE	
WW	01 THRU 52 OR 53 EXAMPLE: 01 = FIRST WEEK OF YEAR 52 = LAST WEEK OF YEAR
YY	22, 23, 24, ETC. EXAMPLE: YEAR 2022 = 22

FUNCTIONAL SYMBOLS	THIS DRAWING CONTAINS INFORMATION THAT IS PROPRIETARY TO MOLEX ELECTRONIC TECHNOLOGIES, LLC AND SHOULD NOT BE USED WITHOUT WRITTEN PERMISSION		CURRENT REV DESC: SEE REVISION TABLE			
$\overline{A} = 0$	DIMENSION UNITS	SCALE	<p>molex</p> <p>SFP+ 1X4 SF CAGE ASSY'S PRESS FIT, HEAT SINKS, WITH SUS EMI SPRING FINGERS</p> <p>PRODUCT CUSTOMER DRAWING</p>			
$\overline{E} = 0$	mm	2:1				
$\overline{P} = 0$	GENERAL TOLERANCES (UNLESS SPECIFIED)					
DIVISIONAL SYMBOLS	ANGULAR TOL	$\pm 1.0^\circ$	EC NO: 707270	2022/04/14		
4 PLACES	\pm		DRWN: ABHILT2	2022/05/26		
3 PLACES	\pm		CHK'D: TKUMARKC	2022/06/01		
2 PLACES	± 0.15		APPR: SCHIEN			
1 PLACE	± 0.25		INITIAL REVISION:			
0 PLACES	\pm		DRWN: ABHILT2	2022/04/14		
			APPR: SCHIEN	2022/06/01		
DRAFT WHERE APPLICABLE MUST REMAIN WITHIN DIMENSIONS	THIRD ANGLE PROJECTION	DRAWING	SERIES	MATERIAL NUMBER	CUSTOMER	SHEET NUMBER
		C-SIZE	111112	SEE SHEET 3		2 OF 7

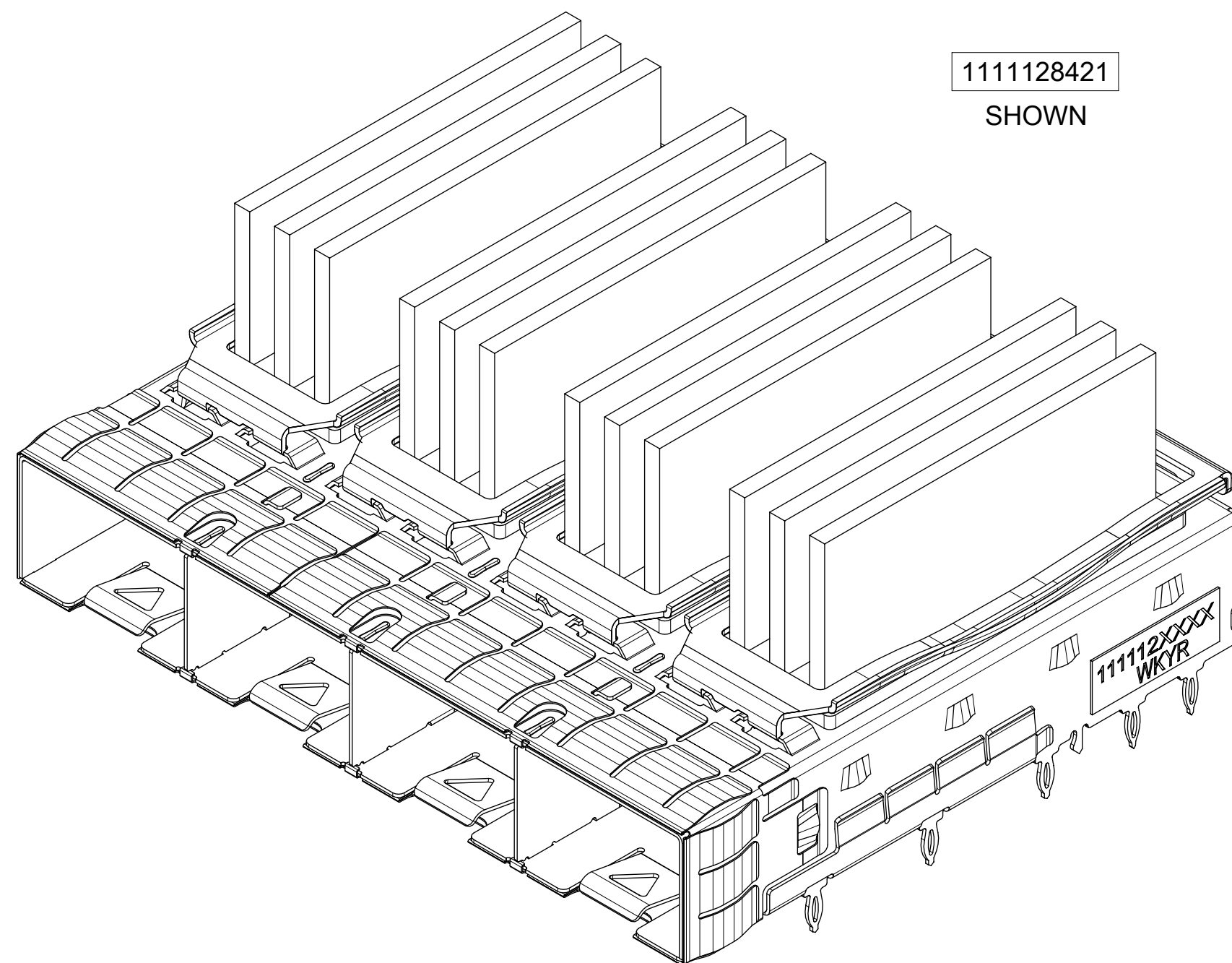
PART NUMBER SELECTION

747548423
SHOWN



SFP+ OPEN TOP BASE CAGE FOR HEATSINK				
PART NO.	POLYIMIDE INSULATOR	WELD POINT QUANTITY	# OF REAR LEGS PER PORT	PLATING
747548423	---	19	1A, 1B	----

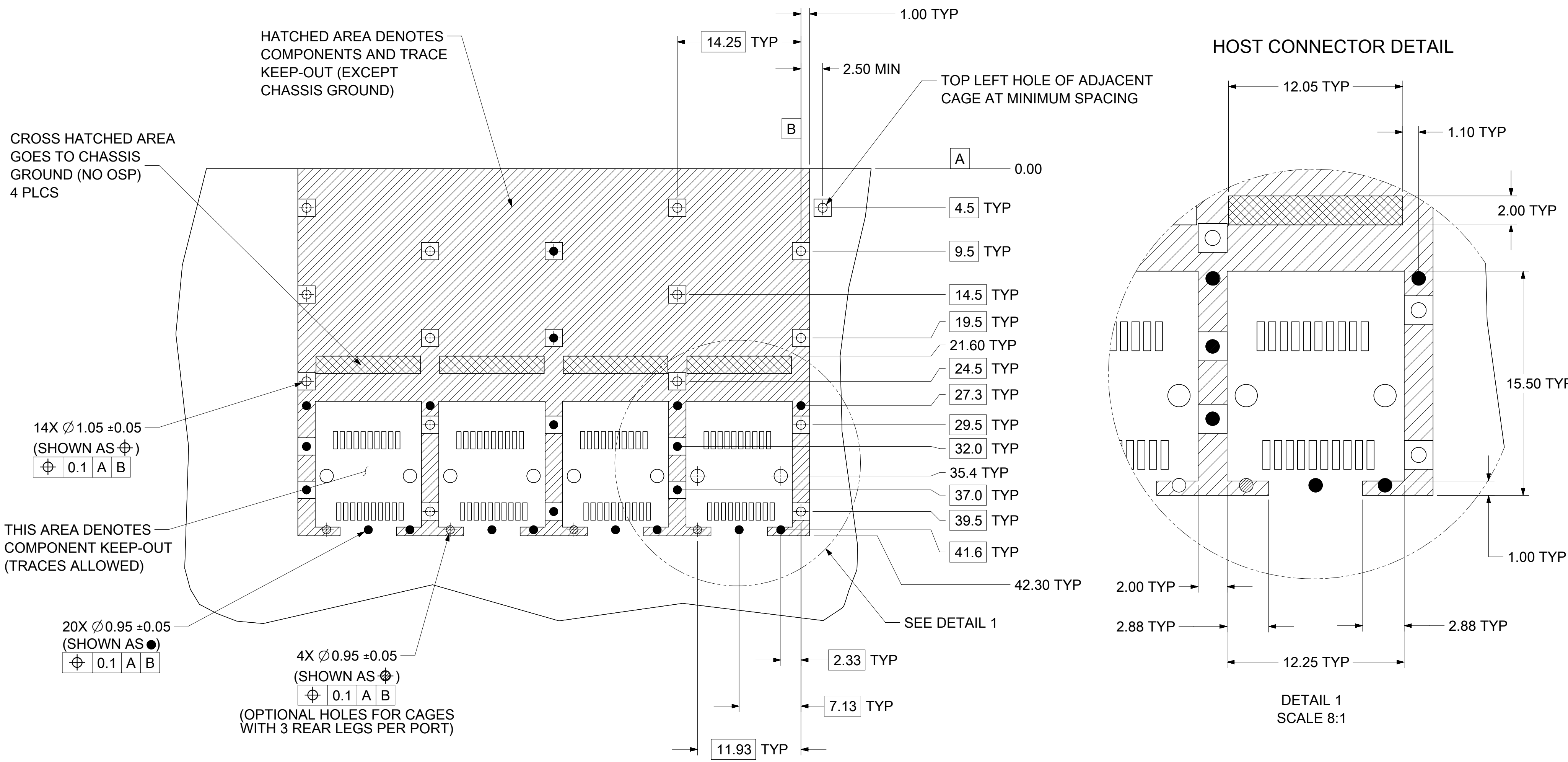
111128421
SHOWN



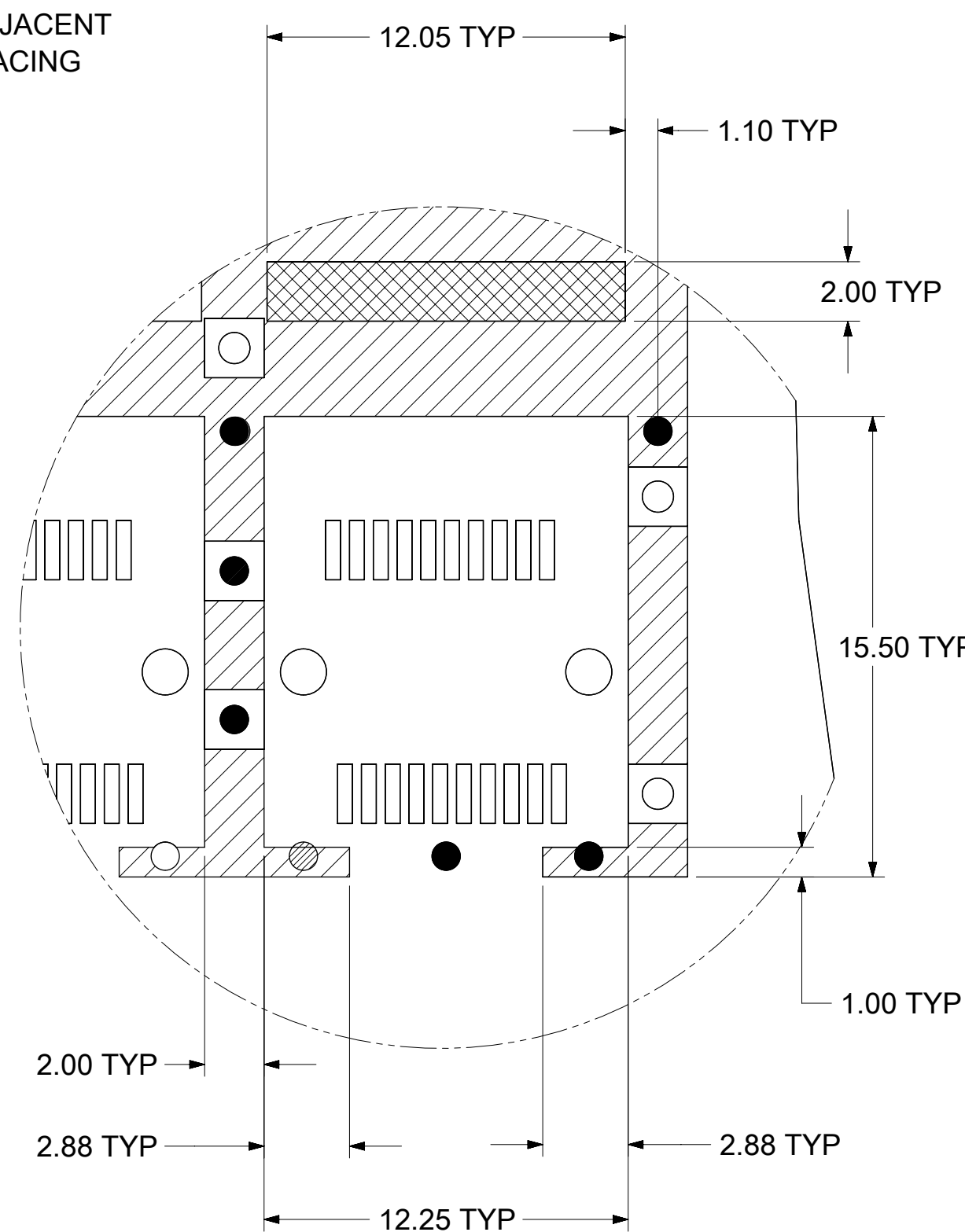
SFP+ CUSTOM FIN HEATSINK OPTION			
PART NO.	POLYIMIDE INSULATOR	HEAT SINK	# OF REAR LEGS PER PORT
111128421	---	CUSTOM	1A, 1B

FUNCTIONAL SYMBOLS $\nabla_A = 0$ $\nabla_C = 0$ $\nabla_P = 0$ DIVISIONAL SYMBOLS 4 PLACES \pm 3 PLACES \pm 2 PLACES ± 0.15 1 PLACE ± 0.25 0 PLACES \pm	THIS DRAWING CONTAINS INFORMATION THAT IS PROPRIETARY TO MOLEX ELECTRONIC TECHNOLOGIES, LLC AND SHOULD NOT BE USED WITHOUT WRITTEN PERMISSION DIMENSION UNITS: mm SCALE: 4:3		CURRENT REV DESC: SEE REVISION TABLE		 SFP+ 1X4 SF CAGE ASSY'S PRESS FIT, HEAT SINKS, WITH SUS EMI SPRING FINGERS				
	GENERAL TOLERANCES (UNLESS SPECIFIED) ANGULAR TOL $\pm 1.0^\circ$		EC NO: 707270 DRWN: ABHILT2 2022/04/14 CHK'D: TKUMARKC 2022/05/26 APPR: SCHIEN 2022/06/01					PRODUCT CUSTOMER DRAWING	
	DRAFT WHERE APPLICABLE MUST REMAIN WITHIN DIMENSIONS		THIRD ANGLE PROJECTION		DRAWING SERIES: C-SIZE 111112		DOCUMENT NUMBER: 111128421 DOC TYPE: PSD DOC PART: ASY REVISION: A		
	MATERIAL NUMBER: SEE SHEET 3		CUSTOMER:		SHEET NUMBER: 3 OF 7				

PCB LAYOUT FOR SINGLE SIDE MOUNT



HOST CONNECTOR DETAIL

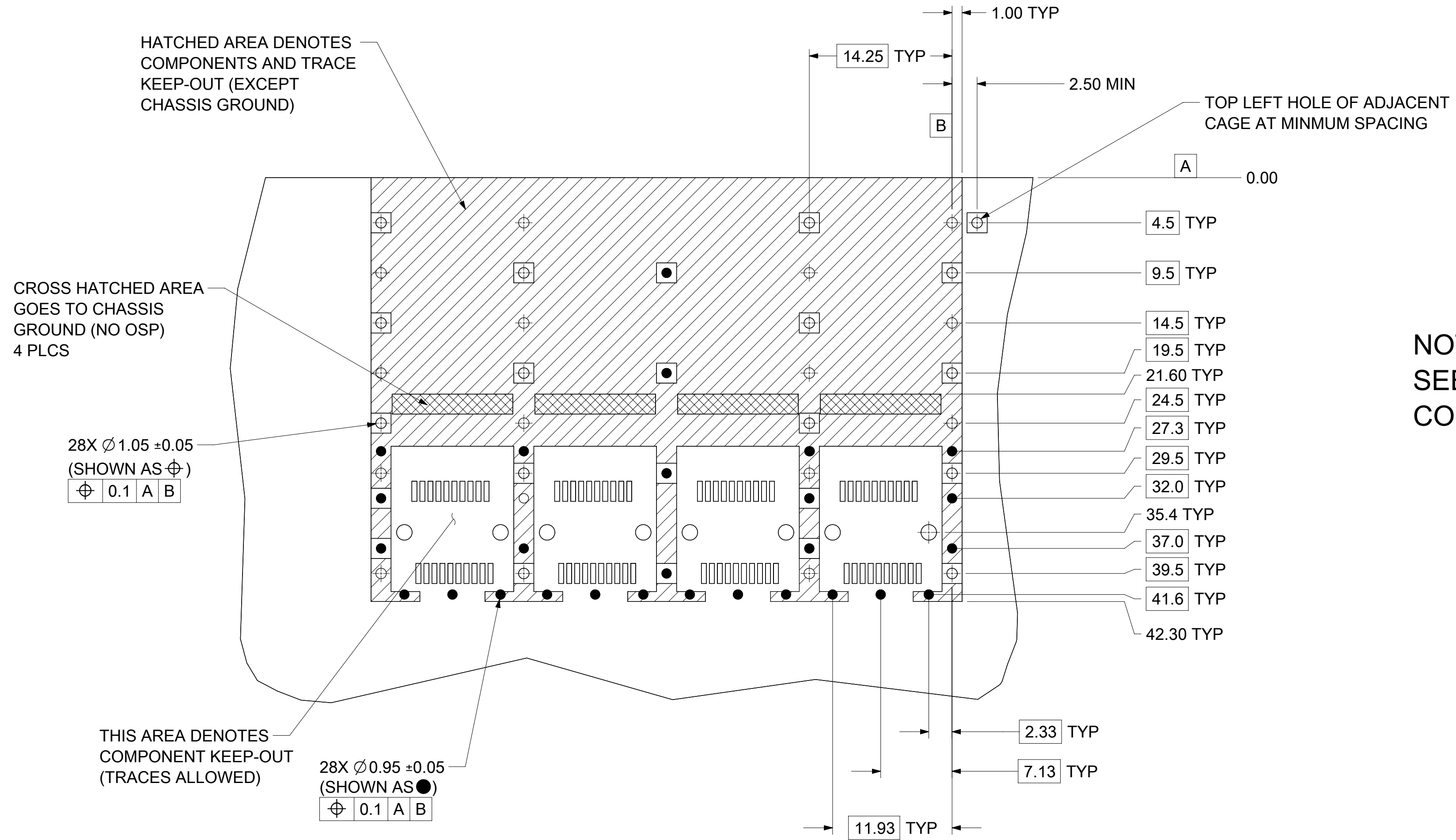


DETAIL 1
SCALE 8:1

- NOTES:
- PADS AND VIAS CONNECT TO CHASSIS GROUND (RECOMMENDED PADS TO BE 2.00mm SQUARE)
 - RECOMMENDED THRU HOLE PLATING INCLUDES HASL, OSP, OR IMMERSION (GOLD, SILVER, OR TIN)
 - CONNECTOR PAD LAYOUT PER SFP+ MSA WILL ACCOMMODATE MOLEX CONNECTOR SERIES 74441 OR EQUIVALENT
 - HOLE PATTERN REPEATS FOR EACH PORT, SPACING BETWEEN PORTS IS 14.25mm
 - MINIMUM PCB THICKNESS FOR SINGLE SIDED USE 1.57mm.

FUNCTIONAL SYMBOLS		THIS DRAWING CONTAINS INFORMATION THAT IS PROPRIETARY TO MOLEX ELECTRONIC TECHNOLOGIES, LLC AND SHOULD NOT BE USED WITHOUT WRITTEN PERMISSION		CURRENT REV DESC: SEE REVISION TABLE			
$\frac{F}{A} = 0$	DIMENSION UNITS	SCALE	EC NO: 707270				
$\frac{F}{C} = 0$	mm	3:1	DRWN: ABHILT2			PRESS FIT, HEAT SINKS, WITH SUS EMI SPRING FINGERS	
$\frac{F}{P} = 0$	GENERAL TOLERANCES (UNLESS SPECIFIED)		CHK'D: TKUMARKC			PRODUCT CUSTOMER DRAWING	
DIVISIONAL SYMBOLS		ANGULAR TOL $\pm 1.0^\circ$	APPR: SCHIEN			DOCUMENT NUMBER	
4 PLACES \pm		4 PLACES \pm	INITIAL REVISION:			DOC TYPE DOC PART REVISION	
3 PLACES \pm		3 PLACES \pm	DRWN: ABHILT2			1111128421	
2 PLACES ± 0.15		2 PLACES ± 0.15	APPR: SCHIEN			PSD ASY A	
1 PLACE ± 0.25		1 PLACE ± 0.25	MATERIAL NUMBER			SEE SHEET 3	
0 PLACES \pm		0 PLACES \pm	CUSTOMER			4 OF 7	
DRAFT WHERE APPLICABLE MUST REMAIN WITHIN DIMENSIONS		THIRD ANGLE PROJECTION	DRAWING	SERIES	SHEET NUMBER		
			C-SIZE	111112	4 OF 7		

PCB LAYOUT FOR BELLY TO BELLY MOUNTING

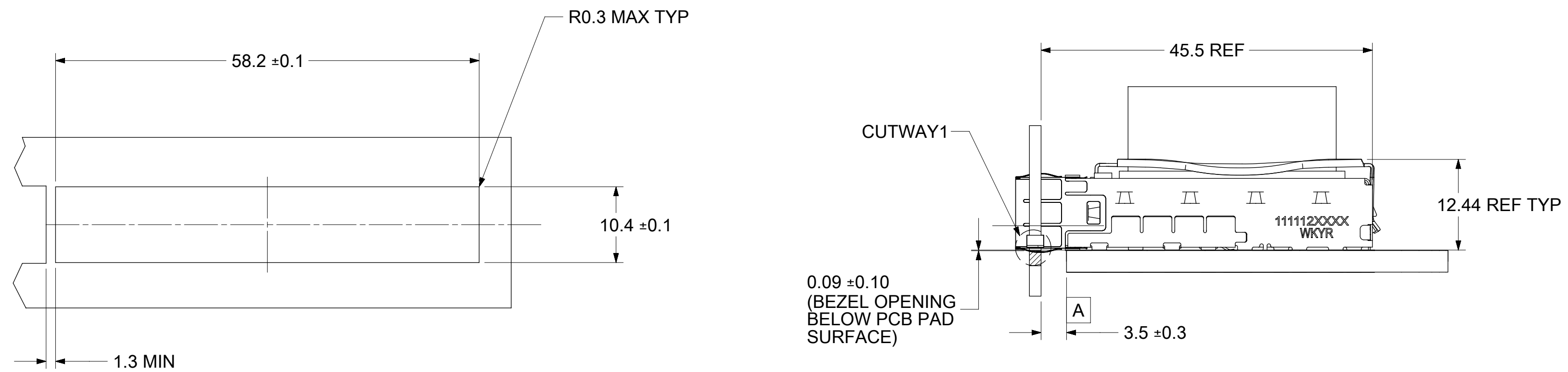


NOTE:
SEE SHEET 4 FOR HOST
CONNECTOR DETAIL

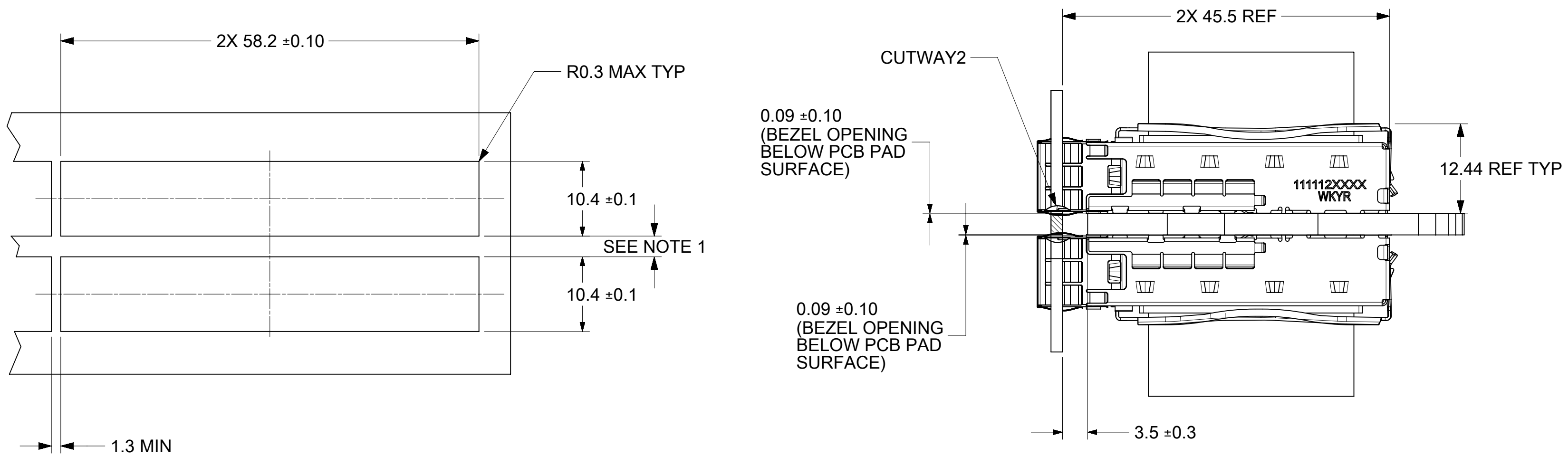
- NOTES:**
1. PADS AND VIAS CONNECT TO CHASSIS GROUND (RECOMMENDED PADS TO BE 2.00mm SQUARE)
 2. RECOMMENDED THRU HOLE PLATING INCLUDES HASL, OSP, OR IMMERSION (GOLD, SILVER, OR TIN)
 3. CONNECTOR PAD LAYOUT PER SFP+ MSA WILL ACCOMMODATE MOLEX CONNECTOR SERIES 74441 OR EQUIVALENT
 4. HOLE PATTERN REPEATS FOR EACH PORT, SPACING BETWEEN PORTS IS 14.25mm
 5. MINIMUM PCB THICKNESS FOR BELLY TO BELLY USE 3.00mm.

FUNCTIONAL SYMBOLS	THIS DRAWING CONTAINS INFORMATION THAT IS PROPRIETARY TO MOLEX ELECTRONIC TECHNOLOGIES, LLC AND SHOULD NOT BE USED WITHOUT WRITTEN PERMISSION		CURRENT REV DESC: SEE REVISION TABLE		
	DIMENSION UNITS	SCALE			
$\frac{F}{A} = 0$	mm	3:1			SFP+ 1X4 SF CAGE ASSY'S PRESS FIT, HEAT SINKS, WITH SUS EMI SPRING FINGERS
$\frac{F}{C} = 0$	GENERAL TOLERANCES (UNLESS SPECIFIED)				
$\frac{F}{P} = 0$	ANGULAR TOL ± 1.0°				PRODUCT CUSTOMER DRAWING
DIVISIONAL SYMBOLS	4 PLACES	±	EC NO: 707270		
	3 PLACES	±	DRWN: ABHILT2 2022/04/14		
	2 PLACES	± 0.15	CHK'D: TKUMARKC 2022/05/26		
	1 PLACE	± 0.25	APPR: SCHIEN 2022/06/01		
	0 PLACES	±	INITIAL REVISION:		
	DRAFT WHERE APPLICABLE MUST REMAIN WITHIN DIMENSIONS		DRWN: ABHILT2 2022/04/14		DOCUMENT NUMBER
	THIRD ANGLE PROJECTION		APPR: SCHIEN 2022/06/01		1111128421
	DRAWING		SERIES		DOC TYPE
	C-SIZE		111112		PSD
	MATERIAL NUMBER		CUSTOMER		ASY
	SEE SHEET 3				A
	SHEET NUMBER				5 OF 7

BEZEL AND BOARD POSITION DIMENSIONS FOR SINGLE SIDE MOUNTING (SPRING FINGER)



BEZEL AND BOARD POSITION DIMENSIONS FOR BELLY TO BELLY MOUNTING (SPRING FINGER)



NOTE:
 1. PCB THICKNESS VARIATION MUST BE CONSIDERED WHEN DETERMINING BEZEL OPENING LOCATION.
 2. CAGE LEG STANDOFF WILL PIERCE BELLY GASKET WHEN PROPERLY PRESSED INTO PCB.

FUNCTIONAL SYMBOLS	THIS DRAWING CONTAINS INFORMATION THAT IS PROPRIETARY TO MOLEX ELECTRONIC TECHNOLOGIES, LLC AND SHOULD NOT BE USED WITHOUT WRITTEN PERMISSION		
	DIMENSION UNITS	SCALE	CURRENT REV DESC: SEE REVISION TABLE
$\frac{E}{A} = 0$	mm	2:1	EC NO: 707270 DRWN: ABHILT2 2022/04/14 CHK'D: TKUMARKC 2022/05/26 APPR: SCHIEN 2022/06/01
$\frac{E}{C} = 0$	GENERAL TOLERANCES (UNLESS SPECIFIED)		
$\frac{E}{P} = 0$	ANGULAR TOL ± 1.0°		INITIAL REVISION: DRWN: ABHILT2 2022/04/14 APPR: SCHIEN 2022/06/01
DIVISIONAL SYMBOLS	4 PLACES ±		DOCUMENT NUMBER
	3 PLACES ±		1111128421
	2 PLACES ± 0.15		DOC TYPE
	1 PLACE ± 0.25		PSD
	0 PLACES ±		DOC PART
			ASY
			REVISION
			A
	DRAFT WHERE APPLICABLE MUST REMAIN WITHIN DIMENSIONS	THIRD ANGLE PROJECTION	MATERIAL NUMBER
			SEE SHEET 3
		DRAWING	CUSTOMER
		C-SIZE	
		SERIES	SHEET NUMBER
		111112	6 OF 7

H

G

F

E

D

C

B

A

REV	DATE	DESCRIPTION
A	202/05/25	INITIAL RELEASE

FUNCTIONAL SYMBOLS $\nabla_A = 0$ $\nabla_C = 0$ $\nabla_P = 0$	THIS DRAWING CONTAINS INFORMATION THAT IS PROPRIETARY TO MOLEX ELECTRONIC TECHNOLOGIES, LLC AND SHOULD NOT BE USED WITHOUT WRITTEN PERMISSION		
	DIMENSION UNITS mm	SCALE 1:1	CURRENT REV DESC: SEE REVISION TABLE
	GENERAL TOLERANCES (UNLESS SPECIFIED) ANGULAR TOL $\pm 1.0^\circ$		
	DIVISIONAL SYMBOLS 4 PLACES \pm 3 PLACES \pm 2 PLACES ± 0.15 1 PLACE ± 0.25 0 PLACES \pm	EC NO: 707270 DRWN: ABHILT2 CHK'D: TKUMARKC APPR: SCHIEN	2022/04/14 2022/05/26 2022/06/01
DRAFT WHERE APPLICABLE MUST REMAIN WITHIN DIMENSIONS		THIRD ANGLE PROJECTION	DRAWING C-SIZE
DOCUMENT NUMBER 1111128421		DOC TYPE PSD	DOC PART ASY
MATERIAL NUMBER SEE SHEET 3		SERIES 111112	CUSTOMER PRODUCT CUSTOMER DRAWING
SHEET NUMBER 7 OF 7		REVISION A	



SFP+ 1X4 SF CAGE ASSY'S
PRESS FIT, HEAT SINKS, WITH SUS EMI SPRING FINGERS

PRODUCT CUSTOMER DRAWING