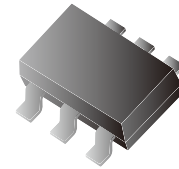


2N7002KDW-HF

N-Channel
RoHS Device
Halogen Free



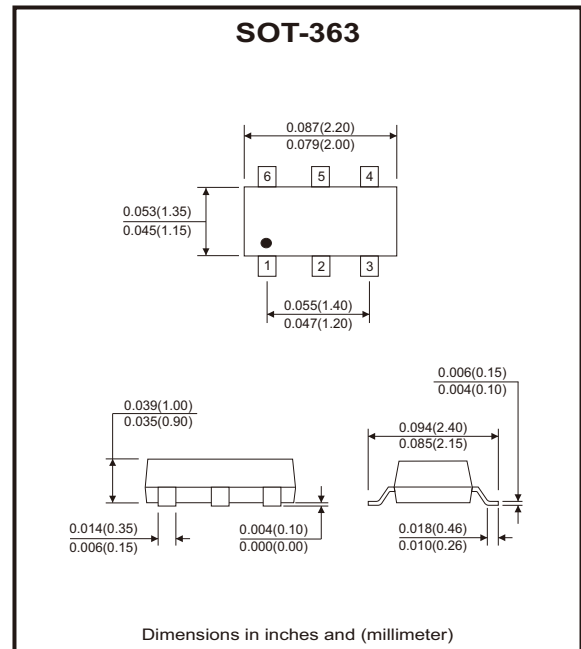
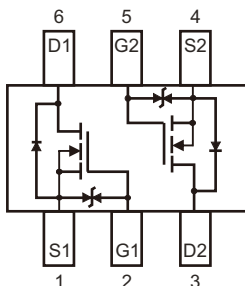
Features

- High density cell design for low $R_{DS(ON)}$.
- Voltage controlled small signal switch.
- High saturation current capability.
- ESD protected.

Mechanical data

- Case: SOT-363, molded plastic.
- Epoxy: UL 94V-0 flammability rating.

Circuit Diagram



Maximum Ratings (at $T_A=25^{\circ}\text{C}$ unless otherwise noted)

Parameter	Symbol	Value	Unit
Drain-Source voltage	V_{DS}	60	V
Gate-Source voltage	V_{GS}	± 20	V
Drain current	I_D	340	mA
Total power dissipation	P_D	150	mW
Thermal resistance from junction to ambient	$R_{\theta JA}$	820	$^{\circ}\text{C/W}$
Junction temperature	T_J	150	$^{\circ}\text{C}$
Storage temperature range	T_{STG}	-55 to +150	$^{\circ}\text{C}$

Electrical Characteristics (at T_A=25°C unless otherwise noted)

Parameter	Conditions	Symbol	Min	Typ	Max	Unit
Static Characteristics						
Drain-Source breakdown voltage	V _{GS} = 0V, I _D = 250μA	V _{(BR)DSS}	60			V
Gate-Threshold voltage (Note 1)	V _{DS} = V _{GS} , I _D = 1mA	V _{GS(th)}	1		2.5	V
Gate-body leakage	V _{DS} = 0V, V _{GS} = ±20V	I _{GSS}			±10	μA
Zero gate voltage drain current	V _{DS} = 48V, V _{GS} = 0V	I _{DSS}			1	μA
Drain-Source on-resistance (Note 1)	V _{GS} = 4.5V, I _D = 200mA	R _{DS(ON)}			5.3	Ω
	V _{GS} = 10V, I _D = 500mA				5	
Diode forward voltage (Note 1)	V _{GS} = 0V, I _S = 300mA	V _{SD}			1.5	V
Recovered charge	V _{GS} = 0V, I _S = 300mA, V _R = 25V dI _S /dt = -100A/μs	Q _r		30		nC
Dynamic Characteristics						
Input capacitance	V _{DS} = 10V, V _{GS} = 0V, f = 1MHz	C _{iss}			40	pF
Output capacitance		C _{oss}			30	pF
Reverse transfer capacitance		C _{rss}			10	pF
Switching Characteristics						
Turn-on delay time	V _{DD} = 50V, V _{GS} = 10V, R _L = 250Ω	t _{d(on)}			10	ns
Turn-off delay time	R _{GS} = 50Ω, R _{GEN} = 50Ω	t _{d(off)}			15	ns
Reverse recovery time	V _{GS} = 0V, I _S = 300mA, V _R = 25V dI _S /dt = -100A/μs	t _{rr}		30		ns
Gate-Source Zener Diode						
Gate-Source breakdown voltage	I _{GS} = ±1mA (open drain)	BV _{GSO}	±21.5		±30	V

Notes: 1. Pulse test: Pulse width ≤ 300μs, duty cycle ≤ 2%.

Rating and Characteristic Curves (2N7002KDW-HF)

Fig.1 - Output Characteristics

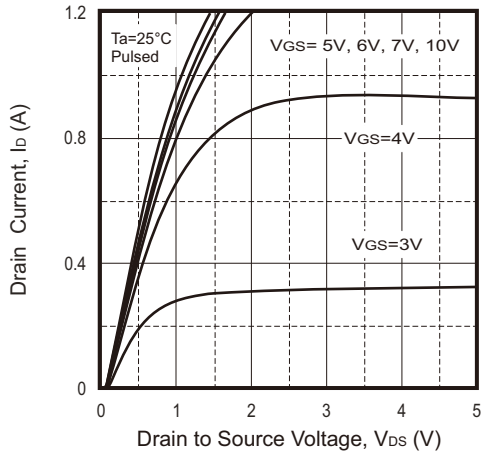


Fig.2 - Transfer Characteristics

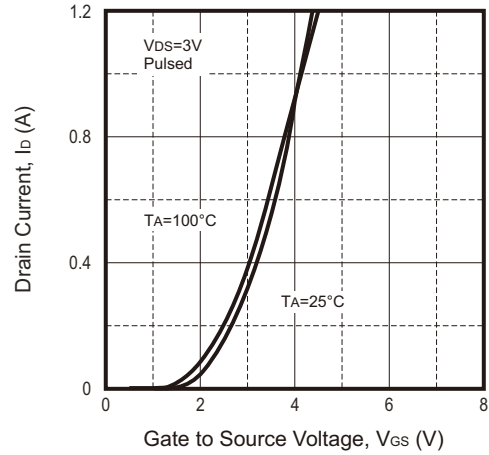


Fig.3 - $R_{DS(ON)}$ — I_D

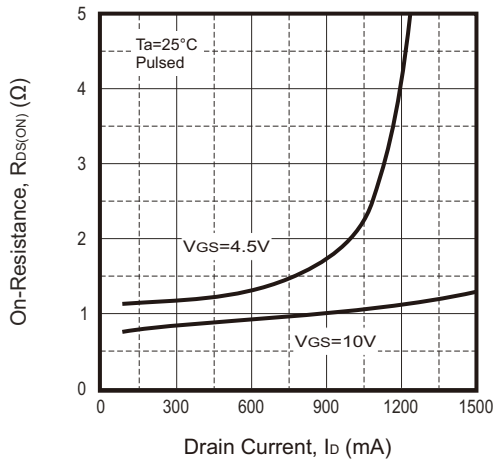


Fig.4 - $R_{DS(ON)}$ — V_{GS}

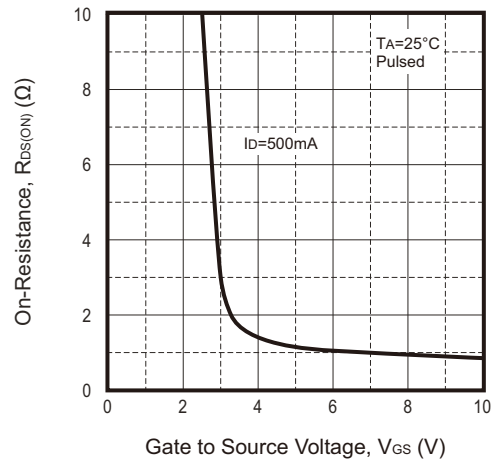


Fig.5 - I_S — V_{SD}

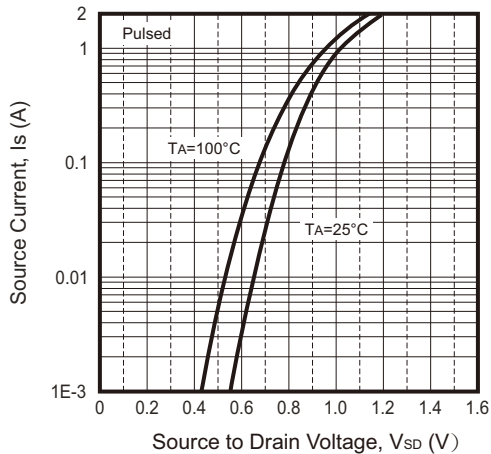
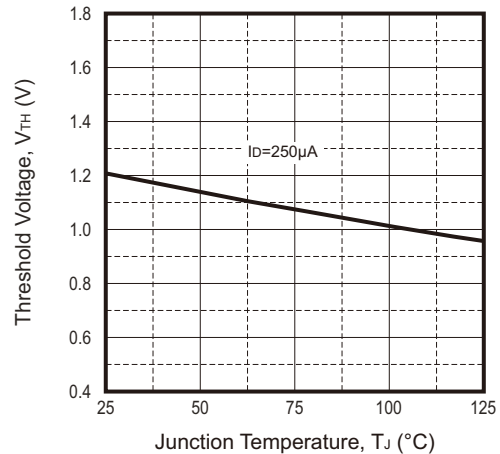
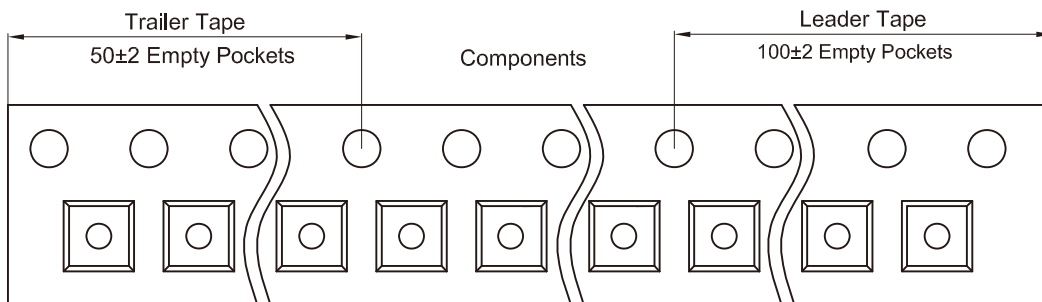
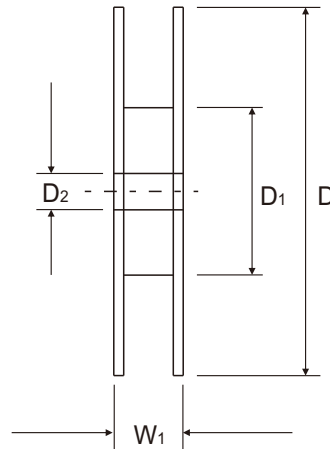
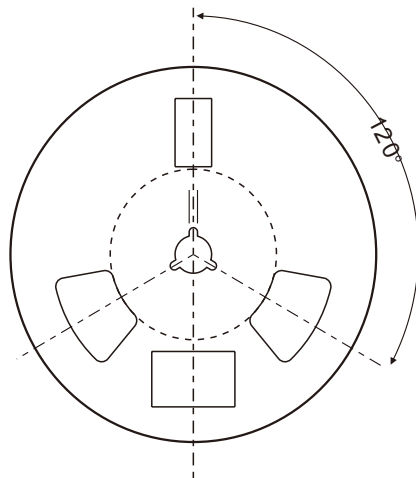
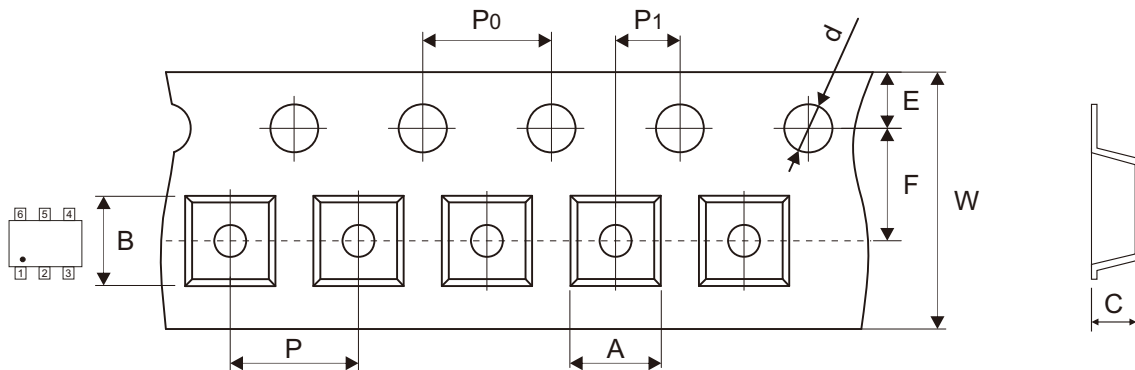


Fig.6 - Threshold Voltage



Company reserves the right to improve product design, functions and reliability without notice.

Reel Taping Specification



SOT-363	SYMBOL	A	B	C	d	D	D1	D2
	(mm)	2.40 ± 0.10	2.55 ± 0.10	1.20 ± 0.10	1.50 ± 0.10	178.00 ± 1.00	54.40 ± 0.50	13.00 ± 0.20
	(inch)	0.094 ± 0.004	0.100 ± 0.004	0.047 ± 0.004	0.059 ± 0.004	7.008 ± 0.039	2.142 ± 0.020	0.512 ± 0.008

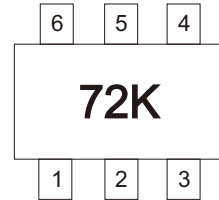
SOT-363	SYMBOL	E	F	P	P0	P1	W	W1
	(mm)	1.75 ± 0.10	3.50 ± 0.05	4.00 ± 0.10	4.00 ± 0.10	2.00 ± 0.05	8.00 + 0.30 - 0.10	13.10 ± 1.30
	(inch)	0.069 ± 0.004	0.138 ± 0.002	0.157 ± 0.004	0.157 ± 0.004	0.079 ± 0.002	0.315 + 0.012 - 0.004	0.516 ± 0.051

Company reserves the right to improve product design, functions and reliability without notice.

REV:A

Marking Code

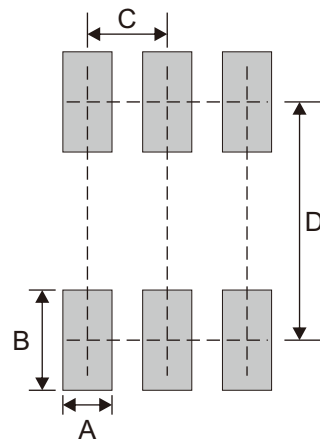
Part Number	Marking Code
2N7002KDW-HF	72K



Suggested PAD Layout

SIZE	SOT-363	
	(mm)	(inch)
A	0.40	0.016
B	0.816	0.032
C	0.65	0.026
D	1.94	0.076

Note: 1. The pad layout is for reference purposes only.



Standard Packaging

Case Type	REEL PACK	
	REEL (pcs)	Reel Size (inch)
SOT-363	3,000	7