

1377174-4 ✓ ACTIVE



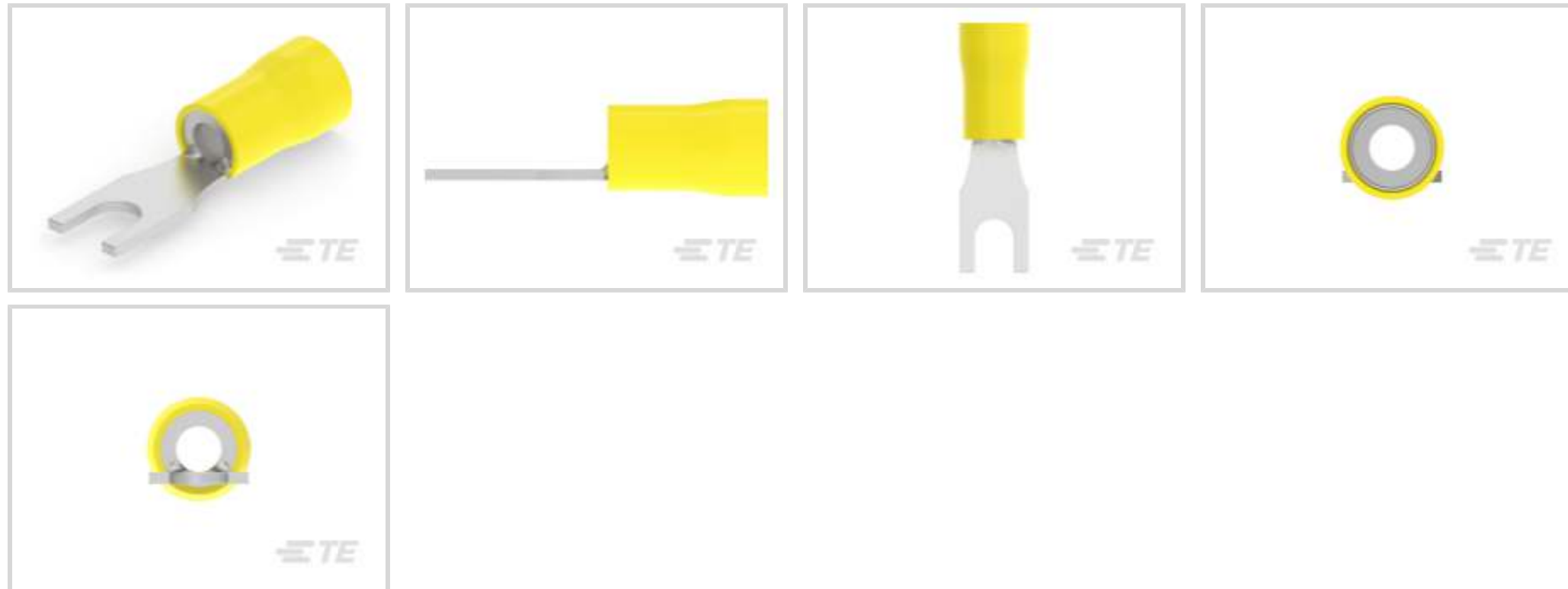
PIDG

TE Internal #: 1377174-4

Ring Terminals & Spade Terminals, Spade Tongue, 12 – 10 AWG
Wire Size, 3 – 6 mm² Wire Size, 5180 – 13100 CMA Wire Size, Stud
Size M4 / #8, PIDG

[View on TE.com >](#)

Terminals & Splices > Ring Terminals & Spade Terminals



Ring & Spade Terminal Type: **Spade Tongue**

Wire Size: **5180 – 13100 CMA**

Stud Size: **#8, M4**

Features

Product Type Features

Stud Size	#8, M4
Sealable	No
Wire Insulation Support Retention Type	Insulation Support

Electrical Characteristics

Voltage Rating	300 V
----------------	-------

Body Features

Product Weight	3.094 g[.1091 oz]
----------------	-------------------

Contact Features

Ring & Spade Terminal Type	Spade Tongue
Barrel Type	Closed
Terminal Orientation	Straight
Terminal Plating Material	Tin

Mechanical Attachment

Wire Insulation Support	With
-------------------------	------

Dimensions



Wire Size	5180 – 13100 CMA
Stud Diameter	4.7 mm[.185 in]
Tongue Thickness	.79 mm[.031 in]
Product Length	31.2 mm[1.228 in]
Compatible Insulation Diameter (Max)	6.4 mm[.252 in]
Compatible Insulation Diameter Range	3.8 – 6.4 mm[.15 – .252 in]

Usage Conditions

Insulation Option	Partially Insulated
Operating Temperature Range	105 °C[221 °F]

Operation/Application

Compatible With Wire Base Material	Copper
Compatible With Wire Plating Material	Tin

Industry Standards

Government Qualified Terminal	No
-------------------------------	----

Packaging Features

Packaging Quantity	50
Packaging Method	Box

Other

Terminals & Splices Comment	Shipper qty= 20 X qty/plastic box for all part numbers. Bulk number 0-0130496-0
-----------------------------	---

Product Compliance

[For compliance documentation, visit the product page on TE.com>](#)

EU RoHS Directive 2011/65/EU	Compliant
EU ELV Directive 2000/53/EC	Compliant
China RoHS 2 Directive MIIT Order No 32, 2016	No Restricted Materials Above Threshold
EU REACH Regulation (EC) No. 1907/2006	Current ECHA Candidate List: JUNE 2023 (235) Candidate List Declared Against: JAN 2023 (233) Does not contain REACH SVHC
Halogen Content	Low Halogen - Br, Cl, F, I < 900 ppm per homogenous material. Also BFR/CFR/PVC Free
Solder Process Capability	Not applicable for solder process capability

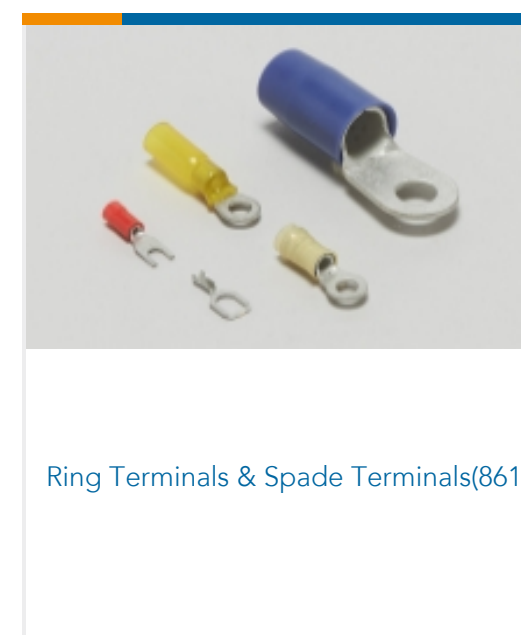
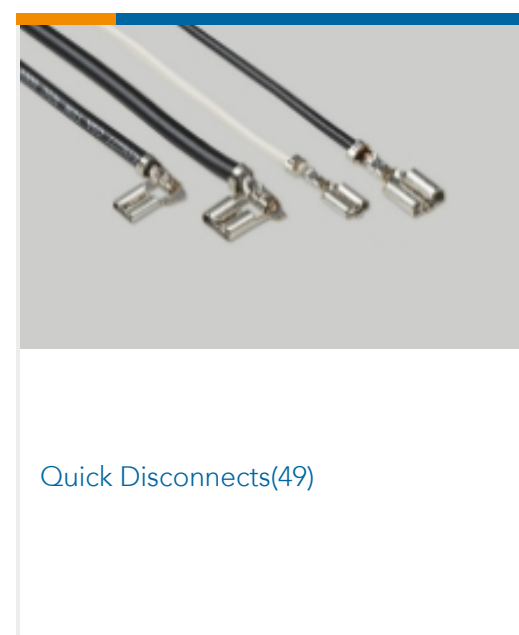
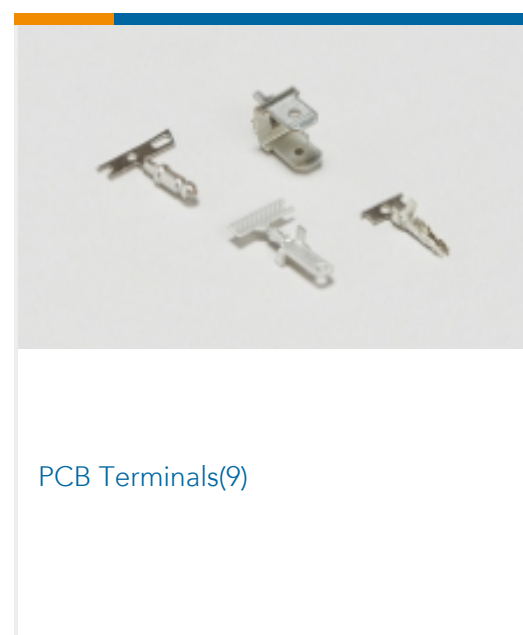
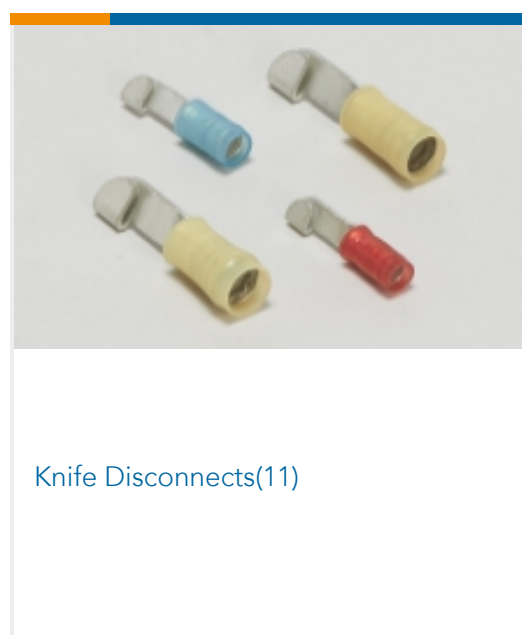
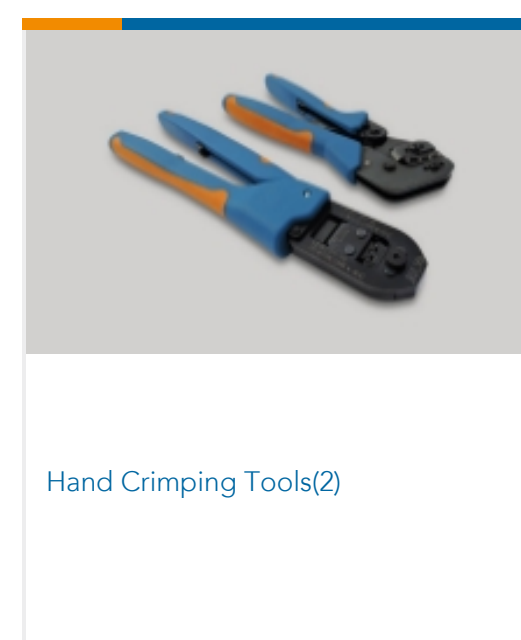
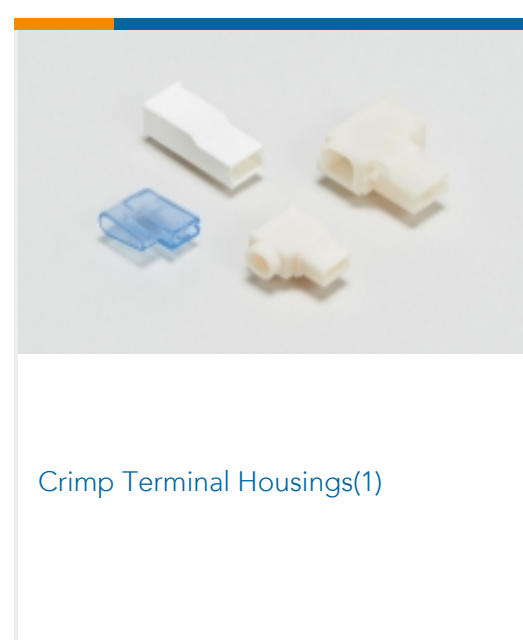
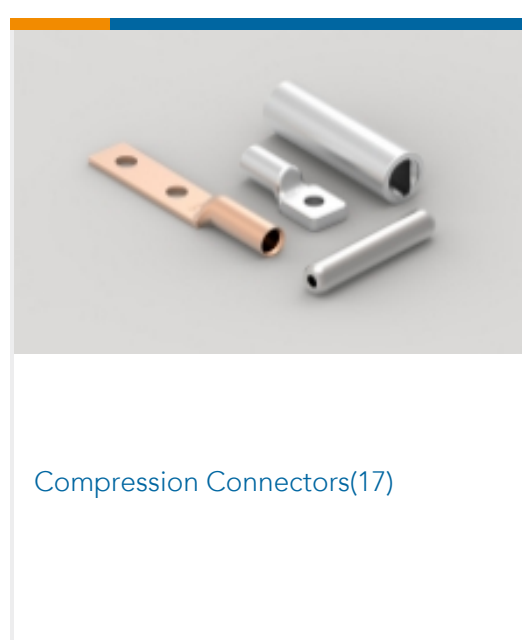
Product Compliance Disclaimer

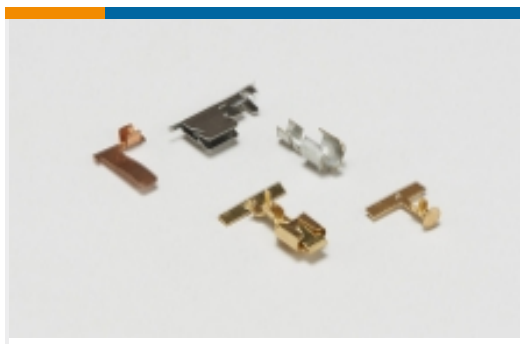
This information is provided based on reasonable inquiry of our suppliers and represents our current actual knowledge based on the information they provided. This information is subject to change. The part numbers that TE has identified as EU RoHS compliant have a maximum concentration of 0.1% by weight in homogenous materials for lead, hexavalent chromium, mercury, PBB, PBDE, DBP, BBP, DEHP, DIBP, and 0.01% for cadmium, or qualify for an exemption to these limits as defined in the Annexes of Directive 2011/65/EU (RoHS2). Finished electrical and electronic equipment products will be CE marked as required by Directive 2011/65/EU. Components may not be CE marked. Additionally, the part numbers that TE has identified as EU ELV compliant have a maximum concentration of 0.1% by weight in homogenous materials for lead, hexavalent chromium, and mercury, and 0.01% for cadmium, or qualify for an exemption to these limits as defined in the Annexes of Directive 2000/53/EC (ELV). Regarding the REACH Regulation, the information TE provides on SVHC in articles for this part number is based on the latest European Chemicals Agency (ECHA) 'Guidance on requirements for substances in articles' posted at this URL: <https://echa.europa.eu/guidance-documents/guidance-on-reach>

Compatible Parts



Also in the Series | PIDG



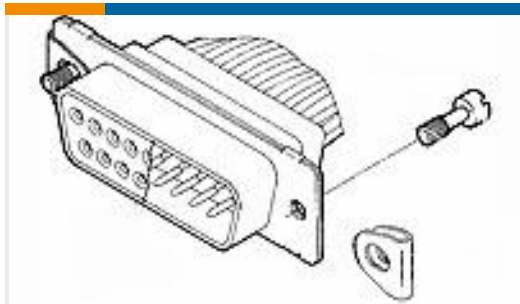


Special Purpose Terminals(1)



Splices(47)

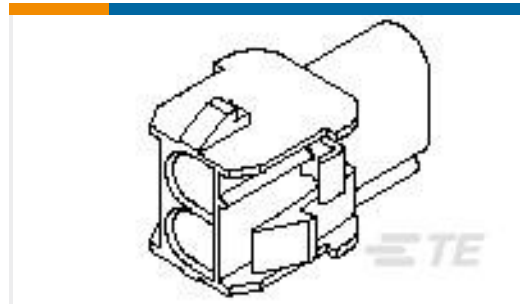
Customers Also Bought



TE Part #211883-5
SCREW RETAINER KIT,AMPLIMITE



TE Part #350537-6
UMNL SOK 20-14 .0125 AUNI/PHBZ



TE Part #794815-1
02P UMNL CAP HSG,HI TEMP



TE Part #1703062-1
CAP, 2 CIRCUIT , UNIVERSAL MATE-N-LOK



TE Part #2151025-1
OCEAN_2.0_APPLICATOR-S-090F200F



TE Part #CV3306-000
RW-175-1/2-X-STK



TE Part #CV3299-000
RW-175-3/64-X-STK



TE Part #CV3304-000
RW-175-1/4-X-STK

Documents

Product Drawings

[SMP 0-0130496-0](#)

English

CAD Files

[3D PDF](#)

3D

Customer View Model

[ENG_CVM_CVM_1377174-4_C1.2d_dxf.zip](#)

English

Customer View Model

[ENG_CVM_CVM_1377174-4_C1.3d_igs.zip](#)

English

Customer View Model

[ENG_CVM_CVM_1377174-4_C1.3d_stp.zip](#)

English

By downloading the CAD file I accept and agree to the [Terms and Conditions](#) of use.



Datasheets & Catalog Pages

[RADIATION_RESISTANT_PRE-INSULATED_TERMINALS_SPLICES](#)

English

Product Specifications

[Application Specification](#)

English