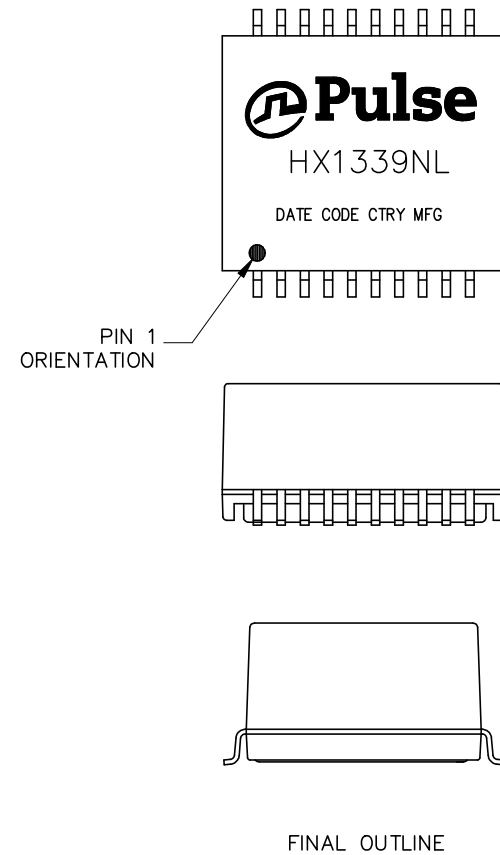




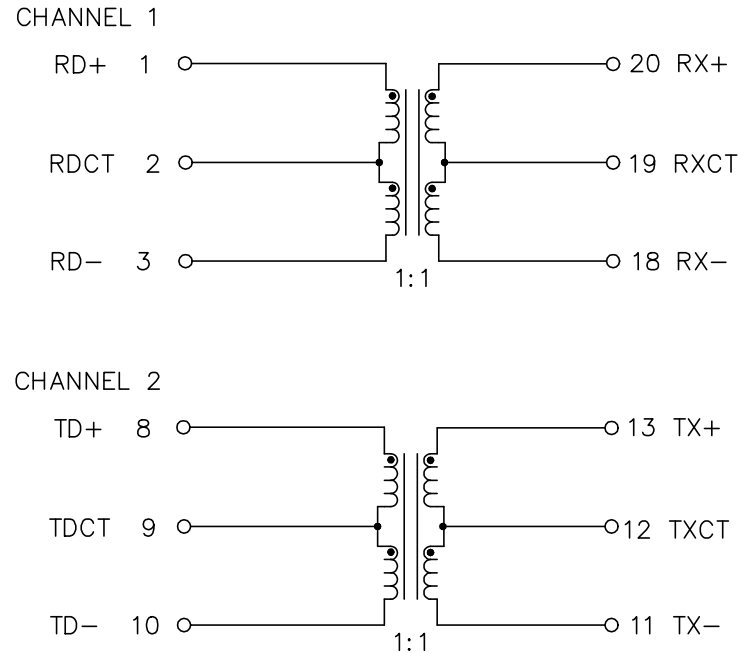
NOTES:

1. ROHS COMPLIANT
2. STORAGE TEMPERATURE: -50°C TO +125°C
3. COMPLIANCE TO J-STD:
 - A. J-STD-002: SOLDERABILITY AT 245°C REFLOW PROFILE
 - B. J-STD-020: LEVEL 1, NO MOISTURE SENSITIVE
 - C. J-STD-075: R7, 245°C MAXIMUM THROUGH REFLOW SOLDER
4. TO ORDER TAPE & REEL PACKAGING ADD A "T" SUFFIX TO THE PART NUMBER(i.e HXXXXXXNL BECOMES HXXXXXXNLT).
5. PACKING SPECIFICATION:
 REEL SIZE: 330 mm TAPE WIDTH: 24 mm
 TAPE PITCH: 24mm
 COMPONENTS PER REEL: 250 pcs

SUPPLEMENTARY INSULATION FOR A PRIMARY CIRCUIT AS DEFINED BY IEC61010-1
 MEET REINFORCE INSULATION BY EN60950
 INSULATION CLASS A, 105°C.
 WORKING VOLTAGE 500VAC,
 OVERVOLTAGE CATEGORY IV
 POLLUTION DEGREE 2
 CREEPAGE DISTANCE >10MM
 CLEARANCE DISTANCE >7MM



PRODUCT DESCRIPTION	TLA DRAWING	PS DRAWING	SHEET	PART NO.	DATASHEET REV.
MDL,SIN,100D,1: 1,SM,OH	HX1339NL-10	PS-0020.001-D	1 OF 4	HX1339NL	D



SCHEMATIC

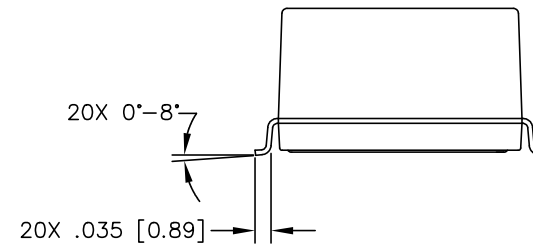
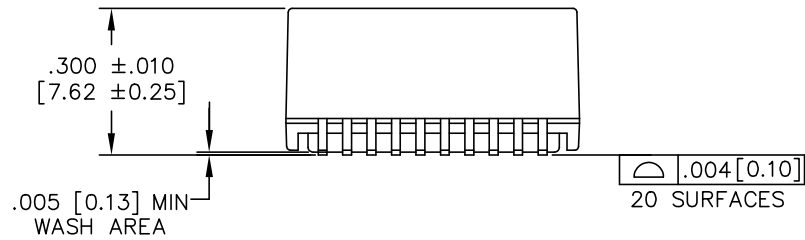
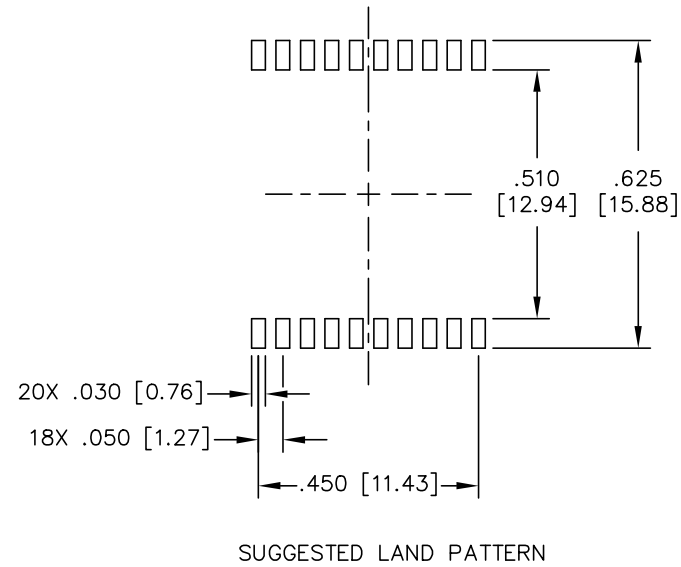
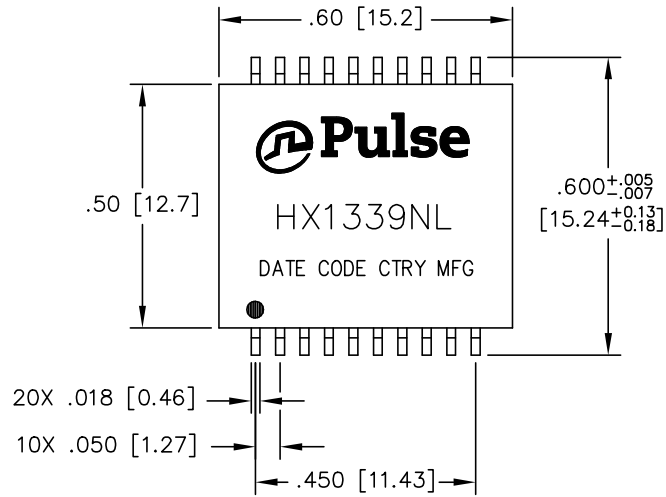
ELECTRICAL CHARACTERISTICS AT +25°C UNLESS OTHER SPECIFIED

MEETS IEEE 802.3 SPECIFICATION

PARAMETER	SPECIFICATIONS					
OPERATION TEMP	-40°C TO +85°C					
TURNS RATIO	1 : 1 ±2%					
POLARITY	PER SCHEMATIC					
OCL, TRANSMIT CHANNEL -40 TO +85 °C	350 uH MIN. AT 100KHz, 0.1VRMS WITH 8mA DC BIAS					
INSERTION LOSS	0.1-30 MHz	60 MHz	80 MHz	100 MHz		
	-1.0 dB MAX	-2.0 dB MAX	-3.0 dB MAX	-4.0 dB MAX		
RETURN LOSS (Z OUT = 100 OHM ±15%)	5 MHz	30 MHz	50 MHz	60 MHz	80 MHz	100 MHz
	-18 dB MIN	-9 dB MIN	-5.5 dB MIN	-4.5 dB MIN	-3 dB MIN	-2 dB MIN
CROSSTALK (TX-RX)	1 MHz		30 MHz		100 MHz	
	-45 dB MIN		-30 dB MIN		-25 dB MIN	
DIFFERENTIAL TO COMMON MODE REJECTION	30 MHz		60 MHz		100 MHz	
	-36 dB MIN		-32 dB MIN		-25 dB MIN	
INPUT - OUTPUT ISOLATION	4500VAC FOR 60 SECONDS					

© Copyright, 2019. Pulse Electronics Corp. All rights reserved. Pulse confidential & proprietary. (01/28/19)

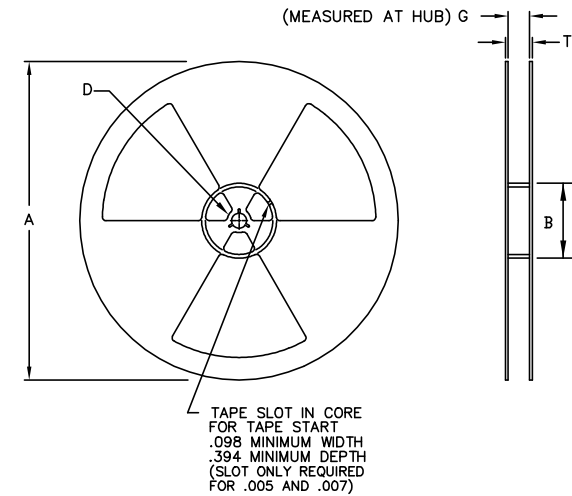
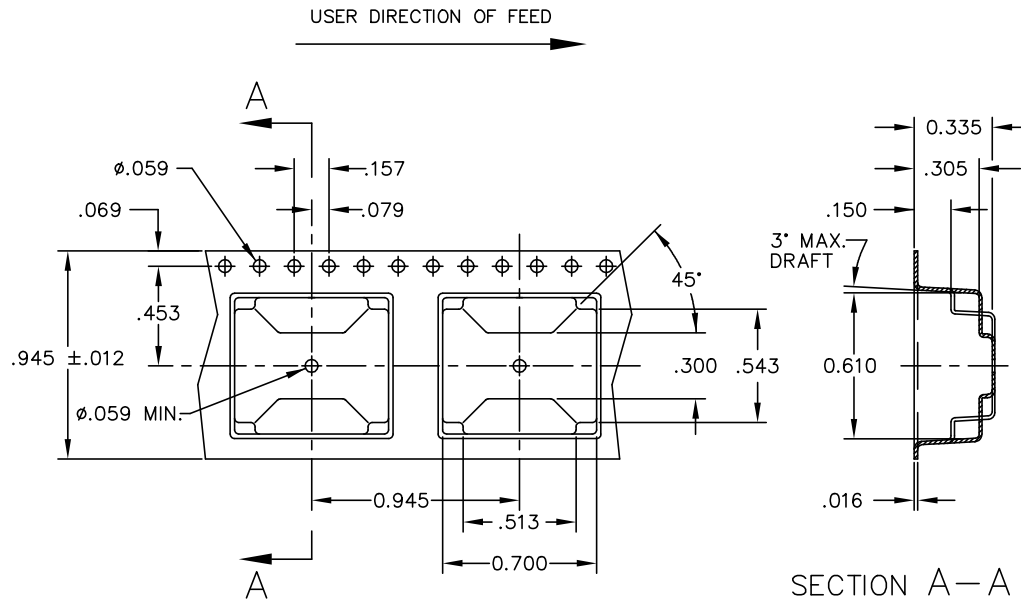
PRODUCT DESCRIPTION	TLA DRAWING	PS DRAWING	SHEET	PART NO.	DATASHEET REV.
MDL,SIN,100D,1:1,SM,OH	HX1339NL-10	PS-0020.001-D	2 OF 4	HX1339NL	D



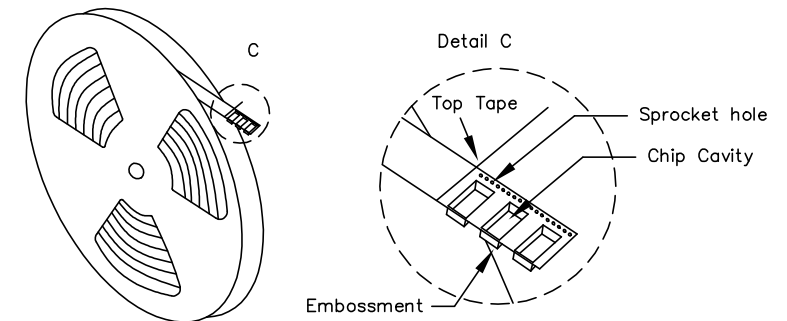
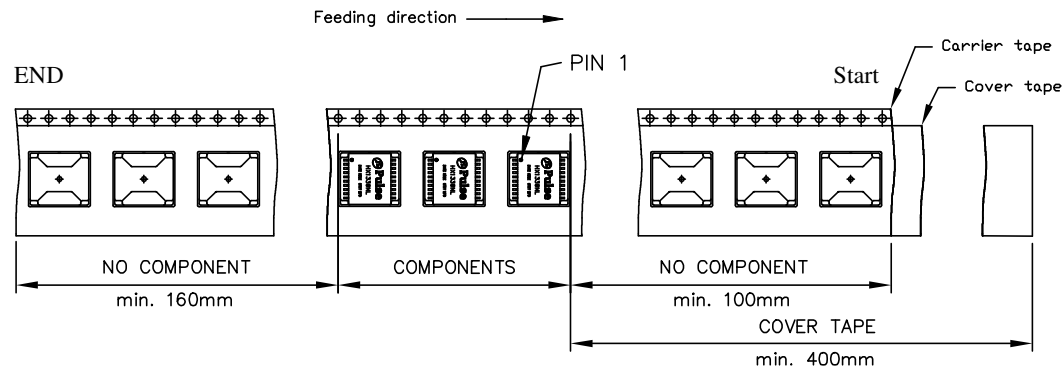
DIMENSIONS ARE IN INCH [MILLIMETERS] WITH THE FOLLOWING TOLERANCES: [MILLIMETER] ARE FOR REFERENCE ONLY.
.XX= ±.01 [±0.25]
.XXX= ±.005 [±0.13]

© Copyright, 2019. Pulse Electronics Corp. All rights reserved. Pulse confidential & proprietary. (01/28/19)

PRODUCT DESCRIPTION	TLA DRAWING	PS DRAWING	SHEET	PART NO.	DATASHEET REV.
MDL,SIN,100D,1:1,SM,OH	HX1339NL-10	PS-0020.001-D	3 OF 4	HX1339NL	D



	A	B	D	T	G	G
Tolerance		min.	min.	max.	min.	max.
Tape width mm	330.00	100.00	20.20	30.4	24.4	26.4



DIMENSIONS ARE IN MILLIMETERS WITH THE FOLLOWING TOLERANCES:
X.XX= ±0.10

© Copyright, 2019. Pulse Electronics Corp. All rights reserved. Pulse confidential & proprietary. (01/28/19)

PRODUCT DESCRIPTION	TLA DRAWING	PS DRAWING	SHEET	PART NO.	DATASHEET REV.
MDL,SIN,100D,1:1,SM,OH	HX1339NL-10	PS-0020.001-D	4 OF 4	HX1339NL	D