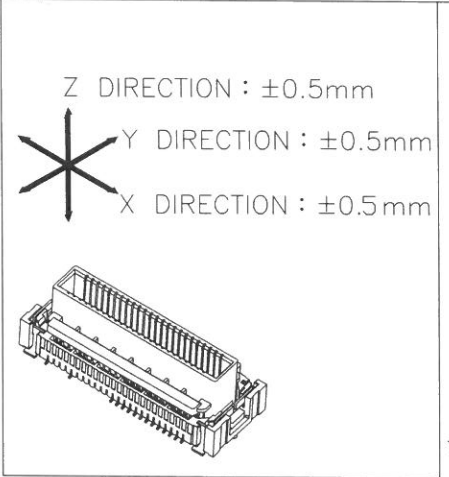
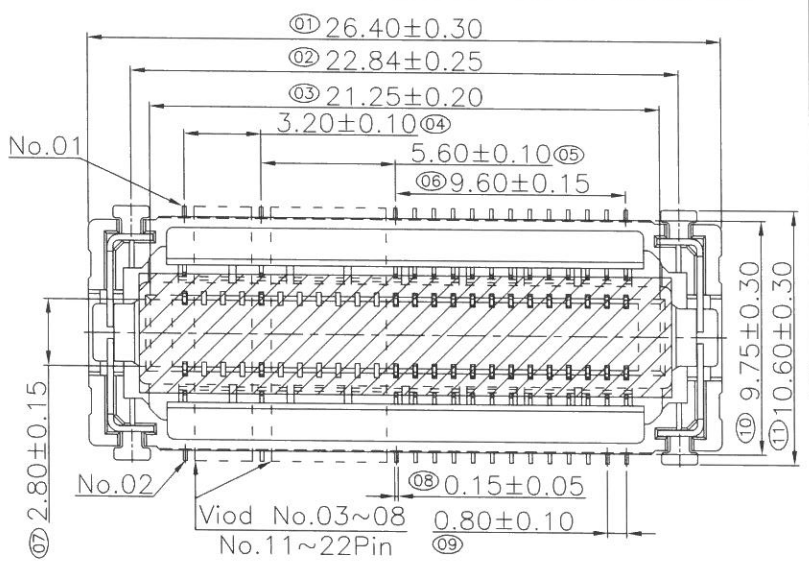


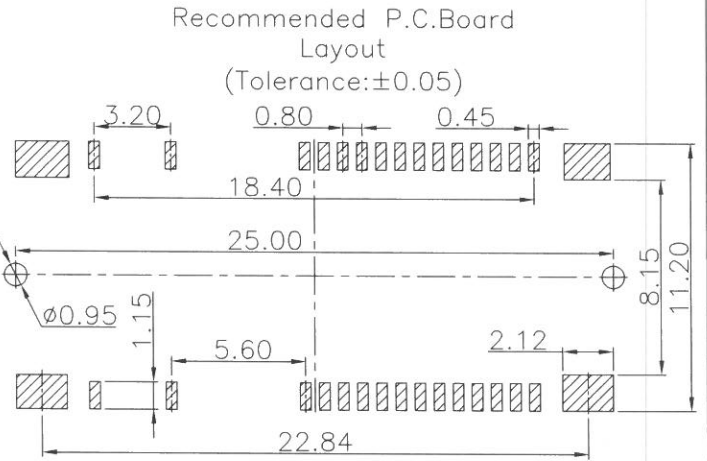
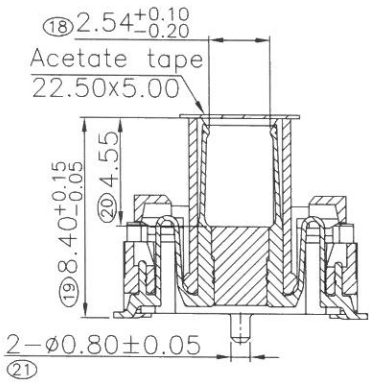
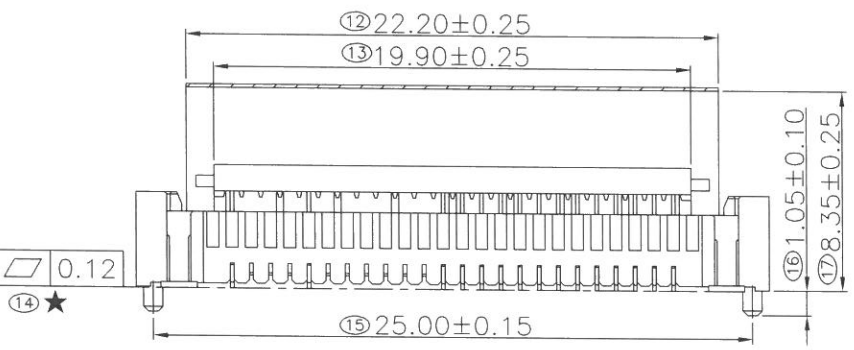
Greenconn P/N	Customer	Remarks
CBBC234-2402B650C1SH	H135	Automotive Connector

REV.	LOCAS.	DESCRIPTION	DATE	DRAWN
01	NEW	BATCH PRODUCTION INITIAL RELEASE.	2021.08.25	劉先平



Specifications:
 Current Rating:0.5Amp
 Insulation Resistance:500MΩ Min.
 0.8PITCH Dielectric Withstanding Voltage:250VAC.
 3.2PITCH Dielectric Withstanding Voltage:300VAC.
 Contact Resistance:100mΩ Max.
 Operating Temperature:-40°C to +105°C
 Materials
 Contact Material:Phosphor Bronze
 Insulator Material:High Temperature Thermoplastic,
 UL 94V-0 LCP or the equivalent material

☆All materials must meet GREENCONN hazardous substances control standards.
 “★” : Critical Characteristics.
 indicates product characteristics, functionalities, and manufacturing processes regarding to customer’s specifications
 “☆” :Safety Features
 indicates product characteristics, functionalities, and manufacturing processes complying to legal regulations stated by local government



Ordering Information
 C BBC234- XX XX B 650 C 1 S X
 No. of Pins per Row 24
 Standard Plating 02=Gold Flash/Tin
 Color 1=Black
 Standard Packing H=Acetate Tape+Tape&Reel

 Website:www.greenconn.com E-mail:sales@greenconn.com	3RD.ANG PROJ.	GENERAL TOLERANCE		DESIGNED: 劉先平	DATE: 2021.08.25	DWG. NO.	TITLE. 0.8mm PITCH BTB FLOATING CONNECTOR
	 PAGE. 1/1	.X.*±3.0"	.X.±0.25	CHECKED: 張春池	DATE: 2021.08.26	PART NO.	
	REV. 01	UNIT. mm	SCALE. 3:1	.X.X.*±1.0"	.X.X.±0.13	DATE: 2021.08.26	
			.XXX.*±0.5"	.XXX.±0.08	APPROVED: 王明	DATE: 2021.08.26	CBBC234-24XXB650C1SX