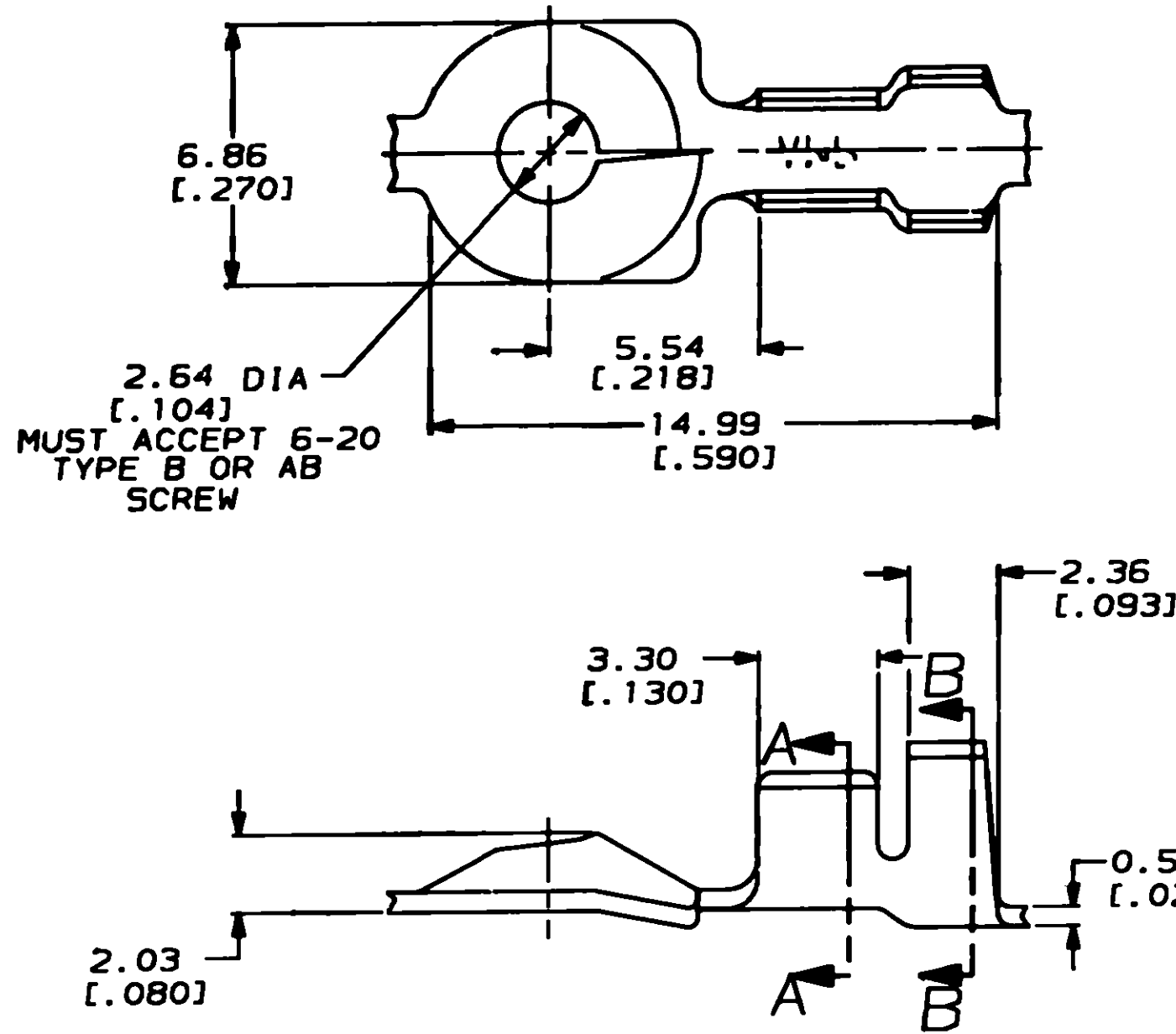
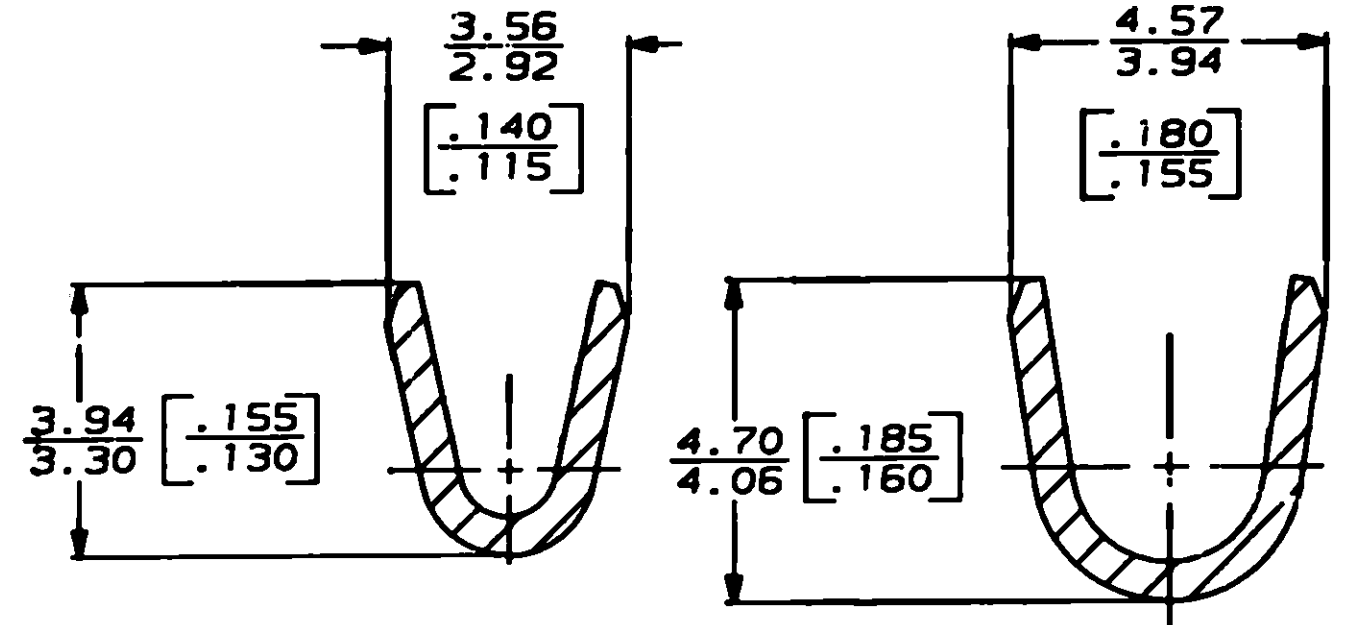


THIS DRAWING IS UNPUBLISHED. RELEASED FOR PUBLICATION .19  
 © COPYRIGHT 19 BY AMP INCORPORATED. ALL INTERNATIONAL RIGHTS RESERVED.

| LOC | DIST | P | F | ZONE | LTR | REVISIONS             | DATE    | APPD  |
|-----|------|---|---|------|-----|-----------------------|---------|-------|
| AF  | 50   |   |   |      | C   | REV & REDRAWN AF-7473 | 8/23/91 | PF/JR |



1 CONTINUOUS STRIP ON REEL.



**METRIC**

|   |  |  |  |   |  |
|---|--|--|--|---|--|
| 1.90-3.05 DIA<br>[.075-.120]  |  | 0.5 - 1.3mm <sup>2</sup><br>[20-16] AWG  |  | 61904-1   |  |
| INSULATION RANGE  |  | WIRE RANGE   |  | PART NO   |  |
| DO NOT SCALE PRINT. UNLESS SPECIFIED DIMENSIONS IN mm (INCHES) TOLERANCES ON:<br>2 PLC DEC = 0.38 (.015)<br>3 PLC DEC = -<br>ANGLES = - |  | DR 6/8/91<br>P FORTNEY<br>CHK 6/8/91<br>JR RUTH<br>APPD 6/8/91<br>S YETTER<br>APPD 6/8/91<br>R HEAVILL |  | AMP AMP Incorporated<br>Harrisburg, PA 17105-3608 |  |
| MATERIAL<br>TYPE 302 SST  |  | PRODUCT SPEC<br>-  |  | NAME<br>TERMINAL, GROUNDING                       |  |
| FINISH<br>-   |  | APPLICATION SPEC<br>-  |  | SIZE<br>B   |  |
| WEIGHT<br>-   |  | SCALE<br>6:1   |  | DRAWING NO<br>61904                               |  |
|   |  | CAOF CODE<br>00779   |  | SHEET<br>1 OF 1                                   |  |

CUSTOMER DRAWING