

MATERIALS AND FINISHES:

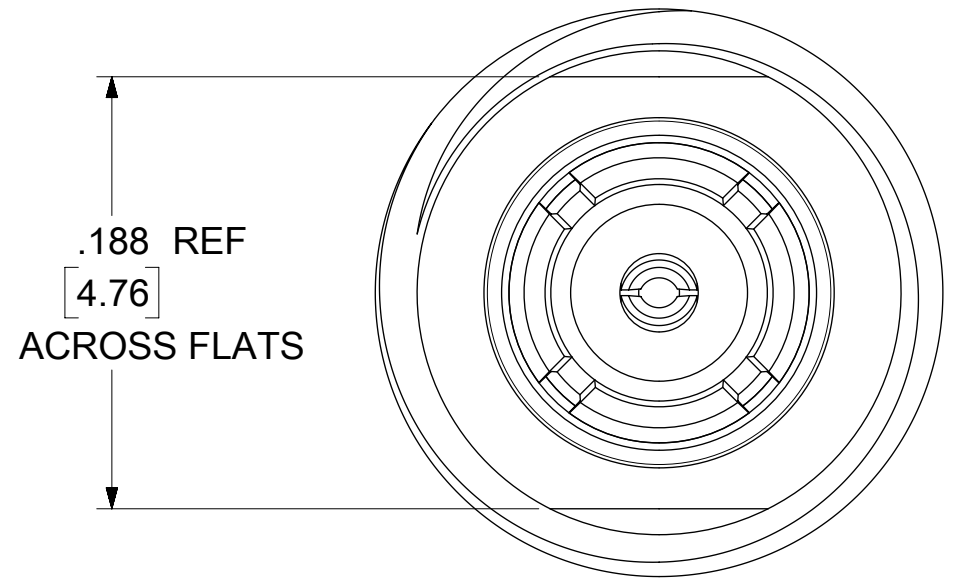
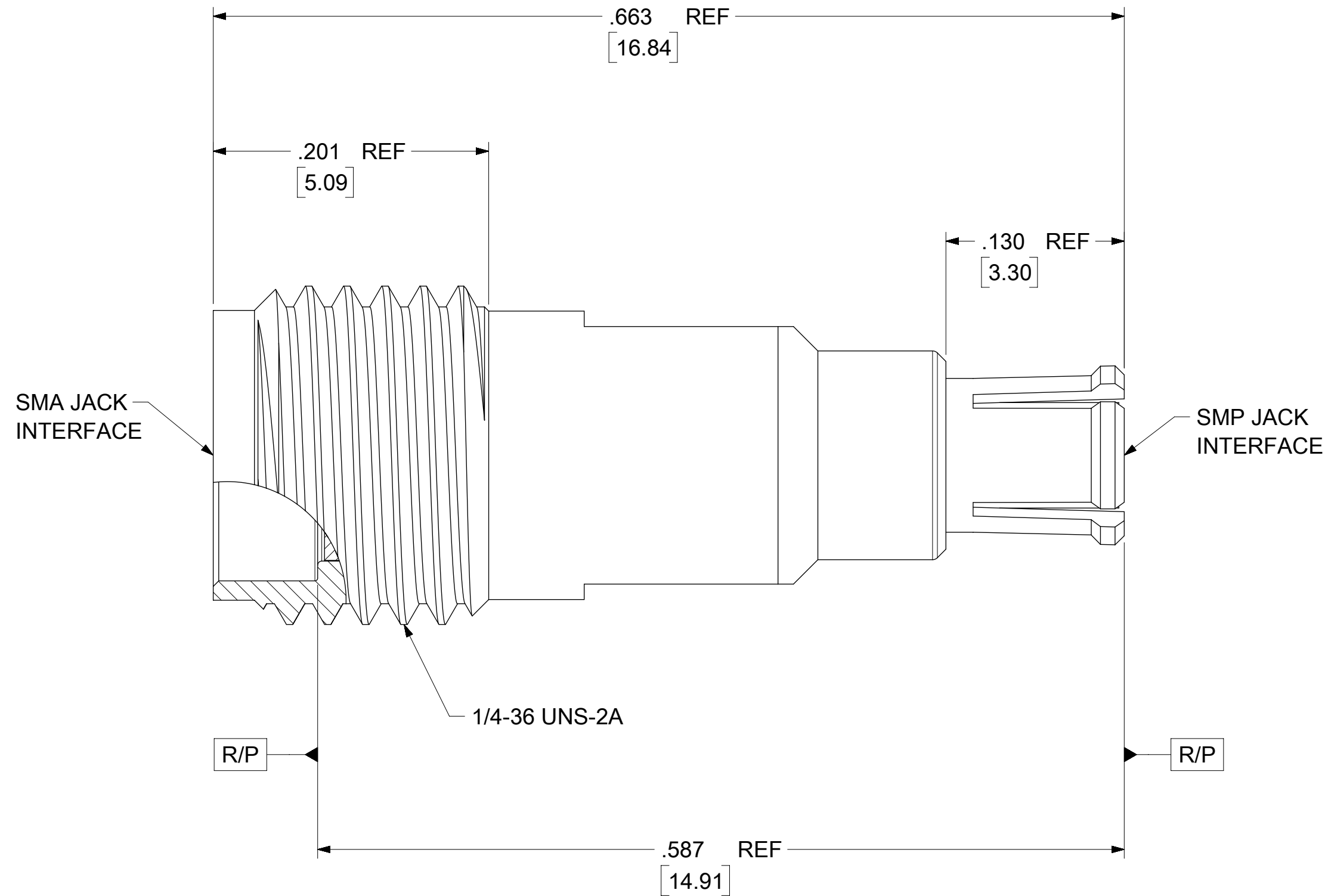
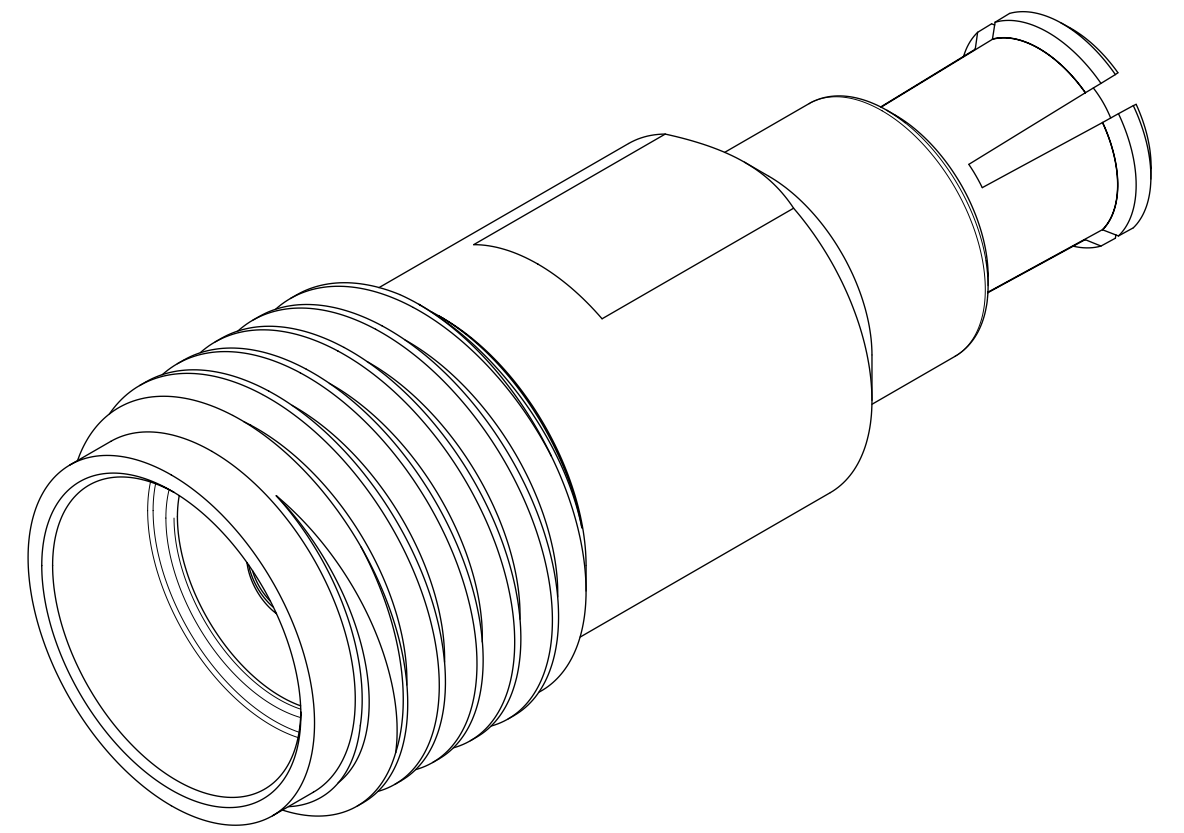
TYPICAL VSWR OF 1.5 TO 26 GHz

BODY: STAINLESS STEEL
PASSIVATED

OUTER CONTACT: BERYLLIUM COPPER
PLATED GOLD (10μ-in MIN) OVER
NICKEL (100μ-in MIN)

CENTER CONTACT: BERYLLIUM COPPER
PLATED GOLD (10μ-in MIN) OVER
NICKEL (100μ-in MIN)

INSULATOR: PTFE



73386-1430	TRAY
PART NO.	PACKAGING

MIL-STD-348B, FIG. 326.1	SMP INTERFACE		
MIL-STD-348B, FIG. 310.2	SMA INTERFACE		
SPECIFICATION	DESCRIPTION		
DOCUMENT STATUS	P1	RELEASE DATE	2018/05/17 18:09:14

SYMBOLS	THIS DRAWING CONTAINS INFORMATION THAT IS PROPRIETARY TO MOLEX ELECTRONIC TECHNOLOGIES, LLC AND SHOULD NOT BE USED WITHOUT WRITTEN PERMISSION		
	DIMENSION UNITS	SCALE	
▽ = 0	INCH	NTS	
▽ = 0	GENERAL TOLERANCES (UNLESS SPECIFIED)		
▽ = 0		MM	INCH
▽ = 0	4 PLACES ±		
▽ = 0	3 PLACES ±		
▽ = 0	2 PLACES ±		
▽ = 0	1 PLACE ±		
▽ = 0	0 PLACES ±		
■ = 0	ANGULAR TOL ± 2.0°		
▽ = 0	DRAFT WHERE APPLICABLE MUST REMAIN WITHIN DIMENSIONS		
	THIRD ANGLE PROJECTION	DRAWING	SERIES
		C-SIZE	73386
	CURRENT REV DESC: REDRAWN AND REVISED		
	EC NO: 176816		
	DRWN: LMEIER	2018/05/15	
	CHK'D: SSSHAH	2018/05/17	
	APPR: AROBERTSON	2018/05/17	
	INITIAL REVISION:		
	DRWN: AZR	2009/06/01	
	APPR: YCHENG	2015/02/04	
	DOCUMENT NUMBER	DOC TYPE	DOC PART
	SD-73386-143	PSD	001
	MATERIAL NUMBER	CUSTOMER	SHEET NUMBER
	SEE TABLE		1 OF 1

molex

BSA SMA JACK TO SMP JACK
50 OHMS BSA-SMA/SMP, EWR-12098

PRODUCT CUSTOMER DRAWING

DOCUMENT NUMBER	DOC TYPE	DOC PART	REVISION
SD-73386-143	PSD	001	A1
MATERIAL NUMBER	CUSTOMER	SHEET NUMBER	
SEE TABLE		1 OF 1	