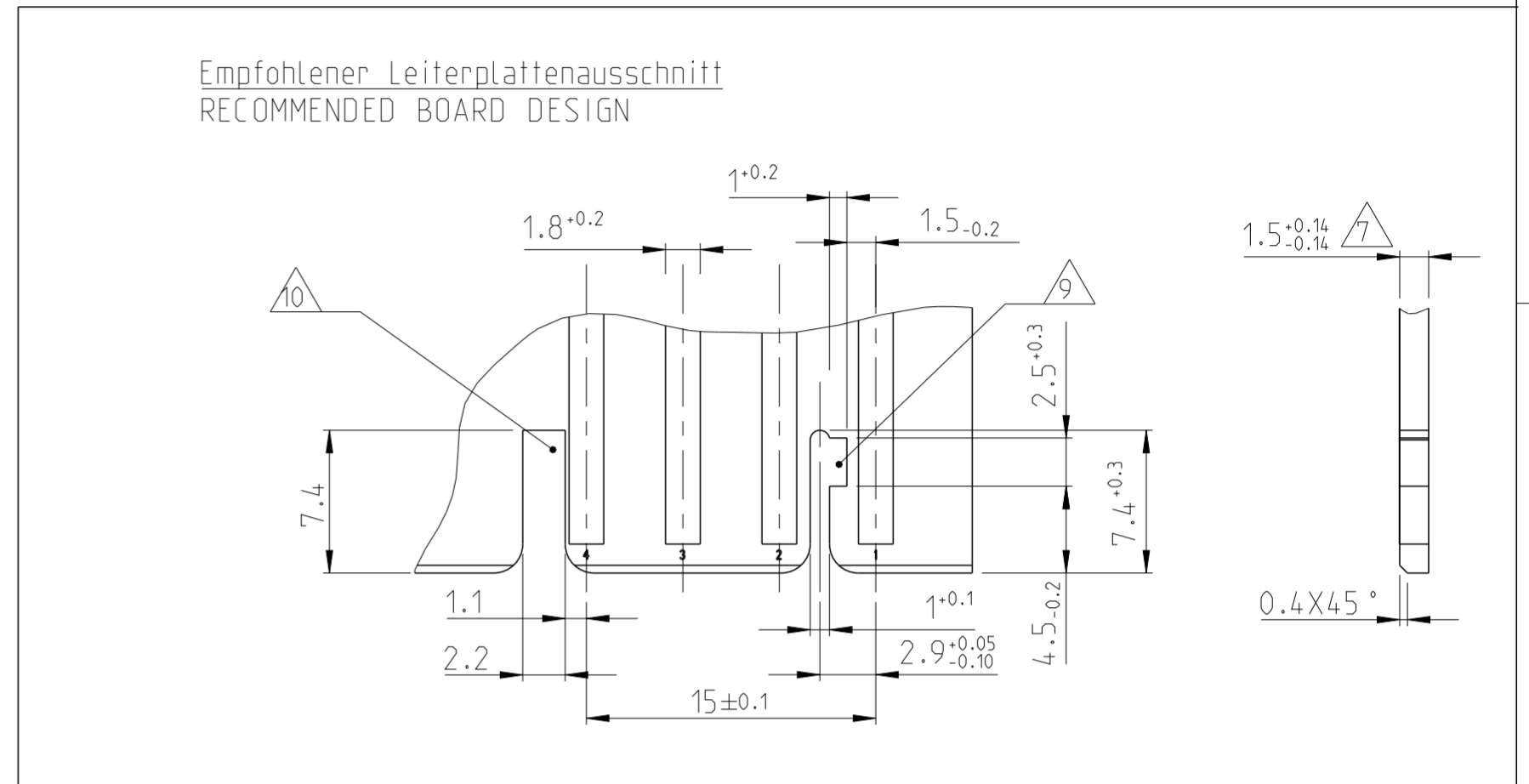
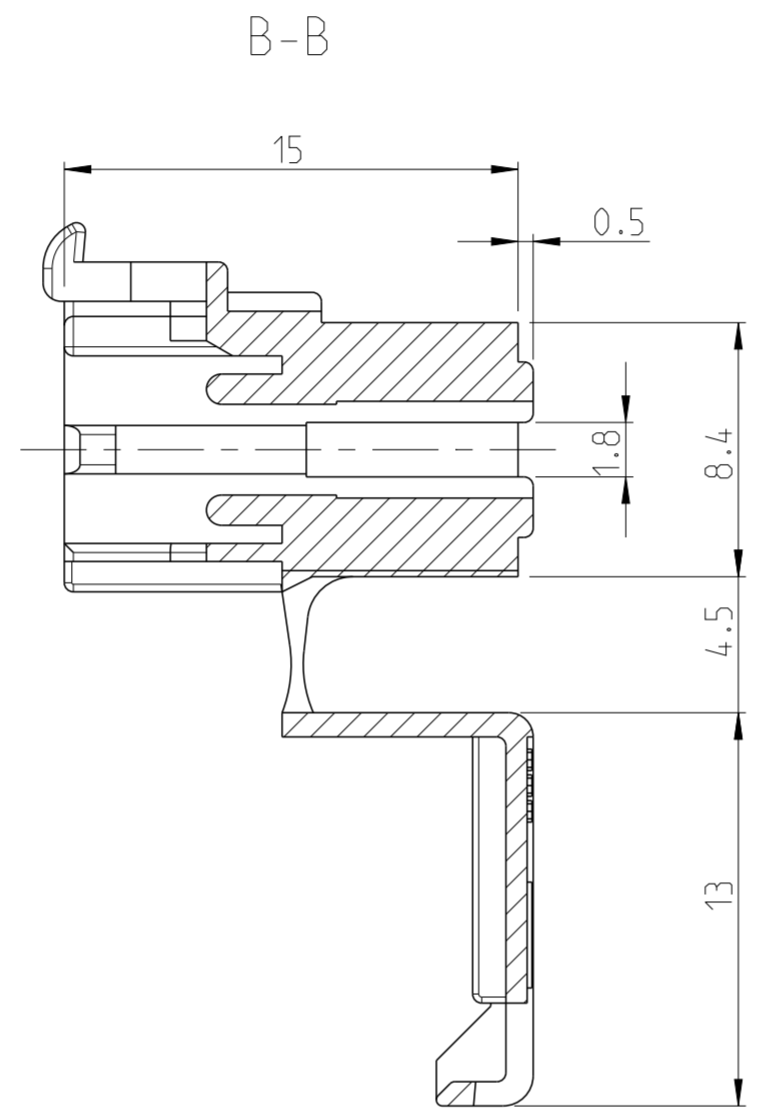
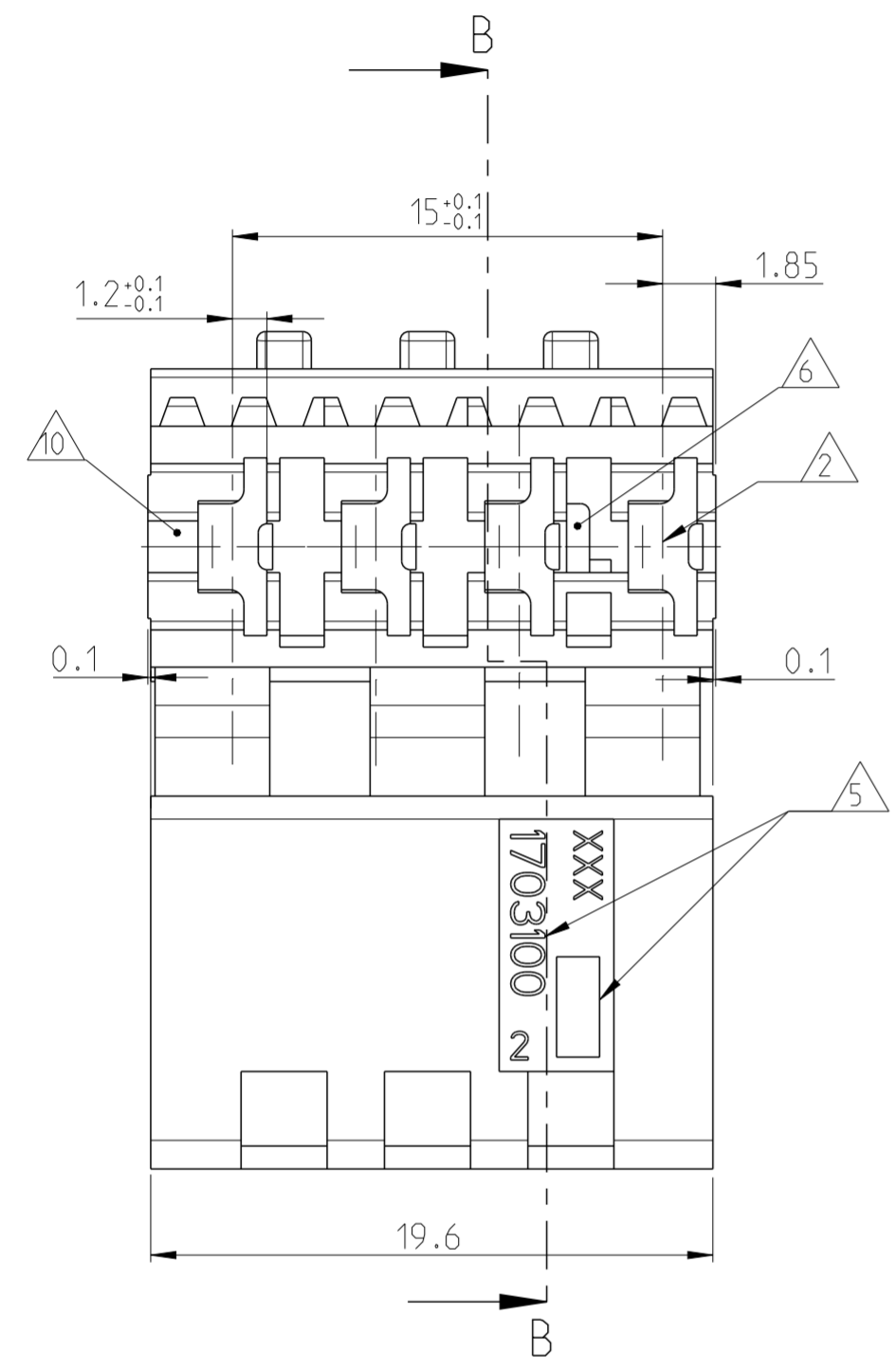
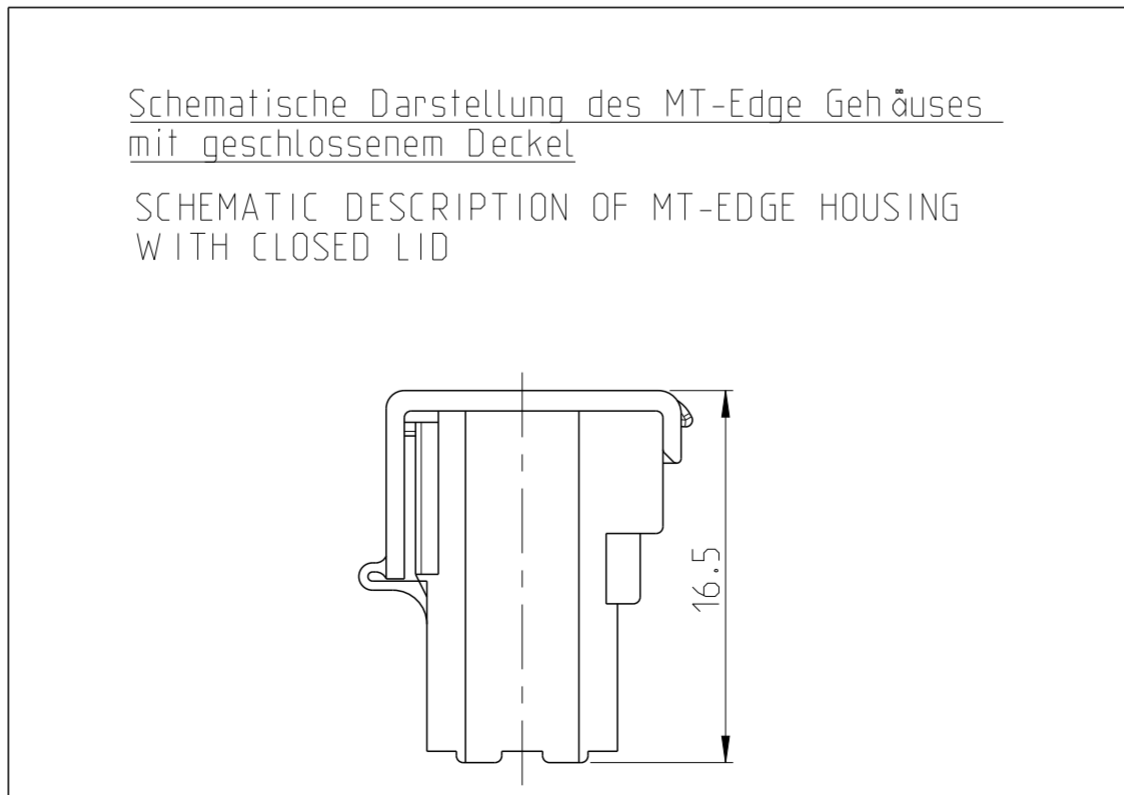
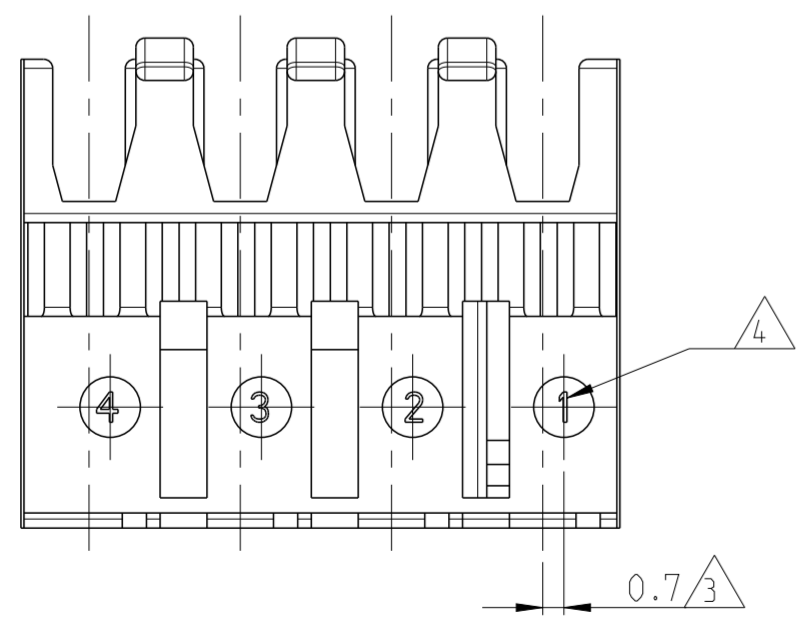


THIS DRAWING IS UNPUBLISHED. RELEASED FOR PUBLICATION  
 © COPYRIGHT copyright\_date BY - ALL RIGHTS RESERVED.

REVISIONS				
P	LTR	DESCRIPTION	DATE	DWN APVD
	B	INITIAL RELEASE	02AUG2013	MKD RRP



- Bemerkungen**  
NOTES
- 1 Massgebend ist der deutsche Text  
ONLY THE GERMAN-LANGUAGE VERSION SHALL BE BINDING
  - 2 Lage des Kontaktpunktes auf der Leiterplatte; Abweichung ±0.4  
POSITION OF CONTACT POINT ON BOARD; DEVIATION ±0.4
  - 3 Kontaktierung zur Drahtmitte um 0.7mm versetzt  
CONTACTING 0.7mm DISPLACED TO WIRE CENTRELINE
  - 4 Kontaktkammer-Nr.  
CONTACT CAVITY #
  - 5 Firmenlogo und Leergehäuse-Nr.  
ARTWORK LOGO AND HOUSING # (NON LOADED)
  - 6 Kodersteg zwischen Kammer Nr.1&2  
KEYING RIB BETWEEN CAVITY Nr. 1 & 2
  - 7 Ausführung nach DIN 60249-2-4  
BOARD DESIGN ACCORDING TO DIN 60249-2-4
  - 8 Crimp Kontakt-Nr.:  
Material: CuSn4 926770-1, 926917-1  
CRIMP CONTACT #: MATERIAL: CuSn4
  - 9 SQUARE HOLE 2X2 mm OPTIONAL LOCKING HOLE Ø2.5 mm
  - 10 Kodersteg Nach Letzter Kammer  
KEYING RIB AFTER LAST CAVITY
  - 11 MATERIAL ACCORDING TO IEC 60335-1 (INCLUDING GWT 750 ° C NO FLAME)



1-1703100-1	11	MT-EDGE HOUSING	NATURE
PART-NO.:		DESCRIPTION	COLOUR

THIS DRAWING IS A CONTROLLED DOCUMENT.		DWN DHANESH 02AUG2013	<b>STE</b> TE Connectivity			
DIMENSIONS: mm		CHK DHANESH 02AUG2013				
TOLERANCES UNLESS OTHERWISE SPECIFIED:		APVD Rajendra 02AUG2013	NAME 4-WAYS MT-EDGE - HOUSING LOOSE PIECE VERSION			
0 PLC ±	±0.2	PRODUCT SPEC 108-18003	SIZE A2	CAGE CODE 00779	DRAWING NO C-1703100	RESTRICTED TO
1 PLC ±	±	APPLICATION SPEC 114-18002	WEIGHT -	SCALE 3:1	SHEET 1 OF 1	REV B
2 PLC ±	±	MATERIAL 11 PA6/UL94V-2	CUSTOMER DRAWING			