

6

5

4

3

2

1

E

E

10 FT. ± 6 IN.

212.5 FT. REF.

39.0 IN ± 1.75 IN
(62) PLACES

1 FT

#12-3 YELLOW
SOOW CORD

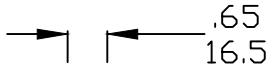
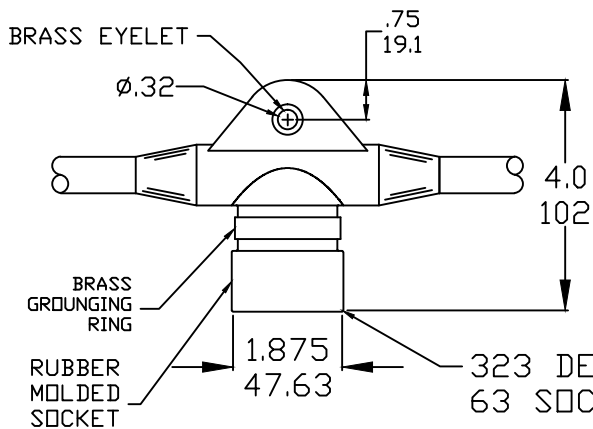
(63) MOLDED YELLOW
3-WIRE 323 SOCKET

D

D

C

C



PRE-RELEASE
REFERENCE
USE ONLY

B

B

A

A

CUSTOMER APPROVAL DWG EC NO: WNA2011-0424 DRWN: HKNEELAN 2011/02/16 CHKD: HKNEELAN APPR: DTITUS 2011/02/18	QUALITY SYMBOLS ▽=0 ▽C=0	GENERAL TOLERANCES (UNLESS SPECIFIED)		DIMENSION STYLE IN/MM		SCALE NTS	DESIGN UNITS INCH	THIRD ANGLE PROJECTION			
		4 PLACES 3 PLACES 2 PLACES 1 PLACE	mm ±-- ±0.13 ±0.25	INCH ±-- ±.010 ±.020	DRAWN BY TVICKERS	DATE 2010/06/02	TITLE STRINGLIGHT 212.5 FT. (63) 323@39 IN. CENTERS 10 FT. LEAD & 1 FT TAIL				
		ANGULAR ±.5°		DRAFT WHERE APPLICABLE MUST REMAIN WITHIN DIMENSIONS		APPROVED BY DTITUS	DATE 2011/02/18	MOLEX INCORPORATED		MATERIAL NO. 1301060169	DOCUMENT NO. SD-130106-029
		SIZE A		THIS DRAWING CONTAINS INFORMATION THAT IS PROPRIETARY TO MOLEX INCORPORATED AND SHOULD NOT BE USED WITHOUT WRITTEN PERMISSION							
								SHEET NO. 1 OF 1			

6

5

4

3

2

1