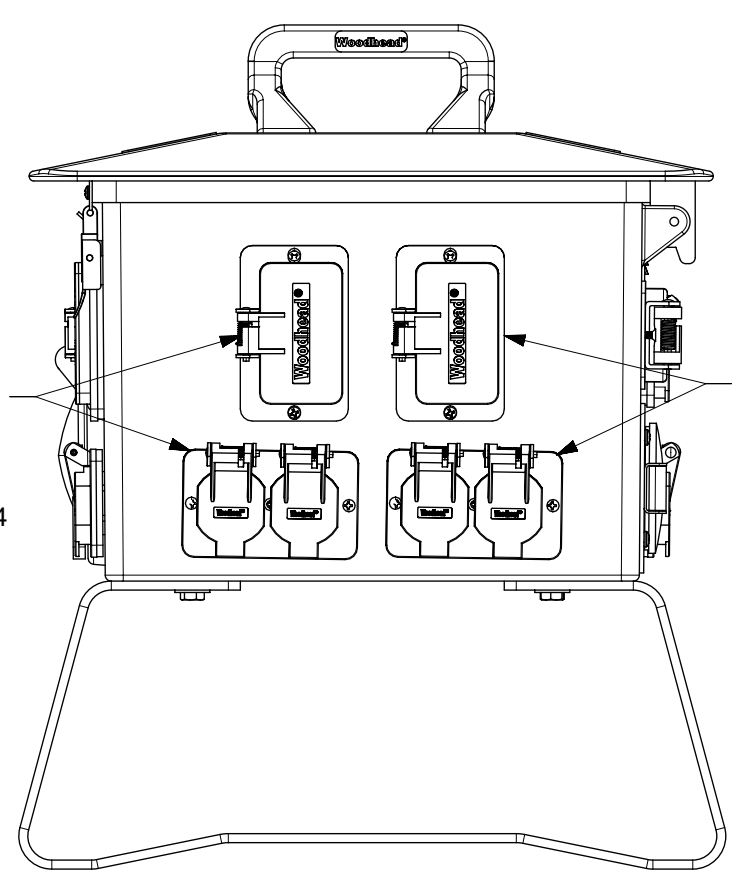
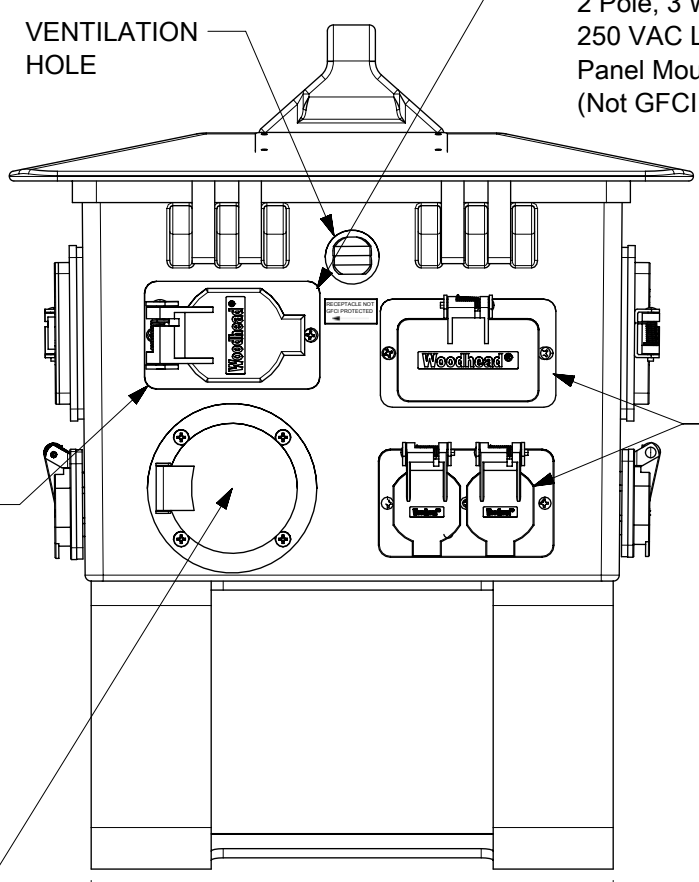


FEED THRU:
Qty(1) 50A,
California Style Locking Receptacle,
Single Phase (H,H,N,G),
125/250 VAC, Panel Mount

BACK VIEW
(FEE THRU)

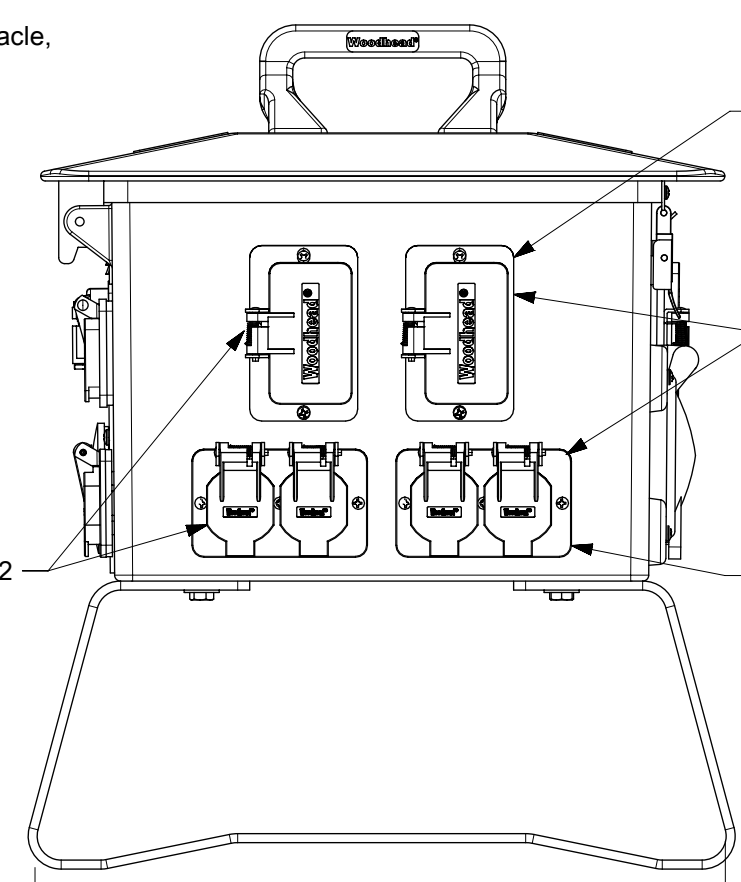


LEFT SIDE



INPUT:
Qty(1) 50A,
California Style Locking Inlet,
Single Phase (H,H,N,G),
125/250 VAC, Panel Mount

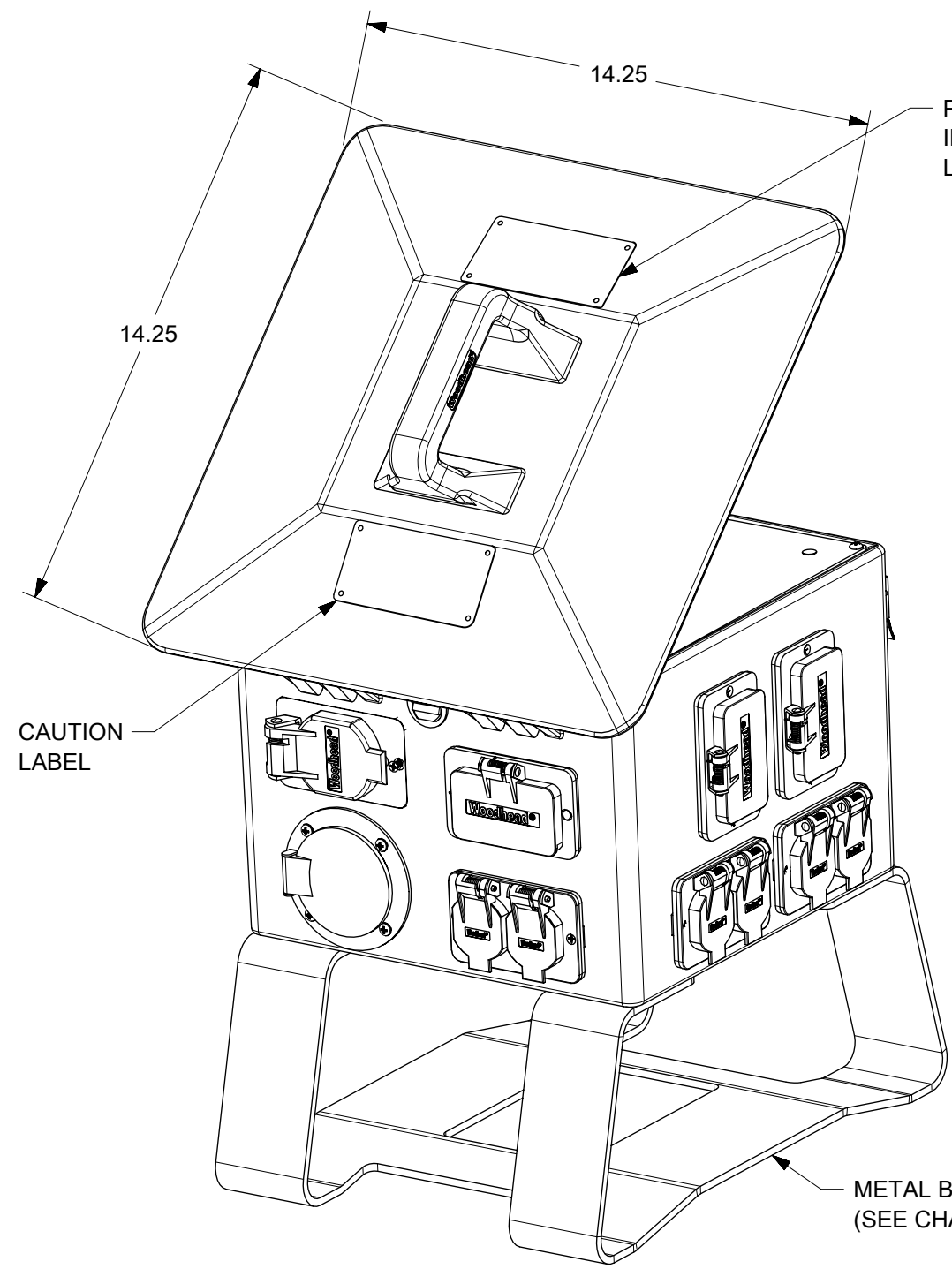
FRONT VIEW
(INPUT)



RIGHT SIDE

GFCI Open-Neutral
Protection Modules:
Qty(6)

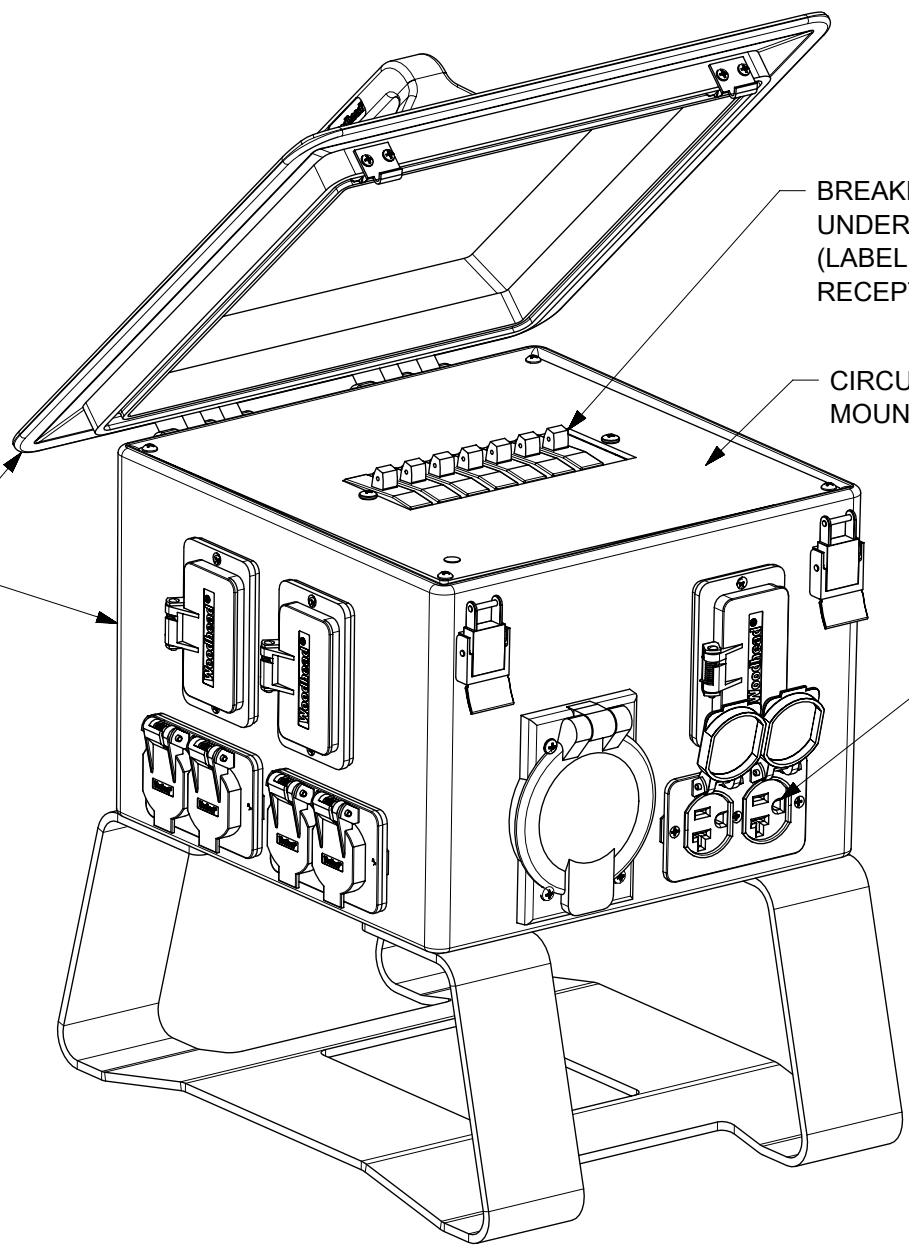
OUTPUT:
Qty(6) NEMA Straight Blade 5-20, 20A,
Single Phase (H,N,G), 2 Pole, 3 Wire,
125 VAC Duplex receptacles,
Panel Mount, GFCI Open-Neutral Protected
Weather-Resistant Type



CAUTION
LABEL

PRODUCT
IDENTIFICATION
LABEL

METAL BASE
(SEE CHART)



BREAKERS MOUNTED
UNDER HINGED COVER
(LABELED PER
RECEPTACLE #)

CIRCUIT BREAKER
MOUNTING PLATE

RUBBER
(SEE CHART)

RECEPTACLE FACE
COLOR-CODED
PER HOT WIRE
(SEE CHART)

RECEPTACLE #	FACE COLOR
1	BLACK
2	RED
3	BLACK
4	RED
5	BLACK
6	RED

NOTES:

- cULus Listed Portable Power Distribution Unit
- Rating: 50A, Single Phase (H,H,N,G), 3 Pole, 4 Wire 125/250 VAC
- Input: Qty(1) 50A, California Style Locking Inlet, Single Phase (H,H,N,G), 3 Pole, 4 Wire, 125/250 VAC, Panel Mount (Not GFCI Protected)
- Output:
 - Qty(6) NEMA Straight Blade, 20A, 5-20, Single Phase (H,N,G), 2 Pole, 3 Wire, 125 VAC Duplex receptacles, Panel Mount GFCI Open-Neutral Protected, Weather-Resistant Type
 - Qty(1) NEMA L6-30, 30A, Single Phase (H,H,G), 2 Pole, 3 Wire, 250 VAC Locking receptacle, Panel Mount (Not GFCI Protected)
- Main Breaker: None
- Feed Thru: Yes, Qty(1) 50A, California Style Locking Receptacle, Single Phase (H,H,N,G), 3 Pole, 4 Wire, 125/250 VAC, Panel Mount (Not GFCI Protected)
- Overcurrent Protection:
 - Qty(6) 20A, 1 Pole branch-rated circuit breakers
 - Qty(1) 30A, 2 Pole branch-rated circuit breaker
- Environmental Rating: NEMA Type 3R Rainproof (when all cover plates and hinged lid cover closed)
- Box Style: Rubber, Hinged
- Dimensions: 14.25" L x 14.25" W x 17.5" H
- Approximate Weight: 29 lbs
- See Sheet 2 for Wiring Schematic
- For User Manual: See document P/N# 1301380126_USR_MAN
- Woodhead Engineering No.: SEE CHART
- Temperature Rating:
 - Operating: -21° to +135°F (-29° to +57°C)
 - Storage: -40° to +160°F (-40° to +71°C)

PART NUMBER	Woodhead® ENGINEERING NUMBER	RUBBER & METAL BASE COLOR	MINIMUM ORDER QUANTITY (MOQ)
1301380126	DY5-6E1H	YELLOW	1
1301380177	DB5-6E1H	BLACK	1
1301380179	DY5-6E1H-BP	YELLOW	1 unit = 25 pcs of 1301380126
1301380181	DB5-6E1H-BP	BLACK	1 unit = 25 pcs of 1301380177

THIS DRAWING CONTAINS INFORMATION THAT IS PROPRIETARY TO MOLEX ELECTRONIC TECHNOLOGIES, LLC AND SHOULD NOT BE USED WITHOUT WRITTEN PERMISSION

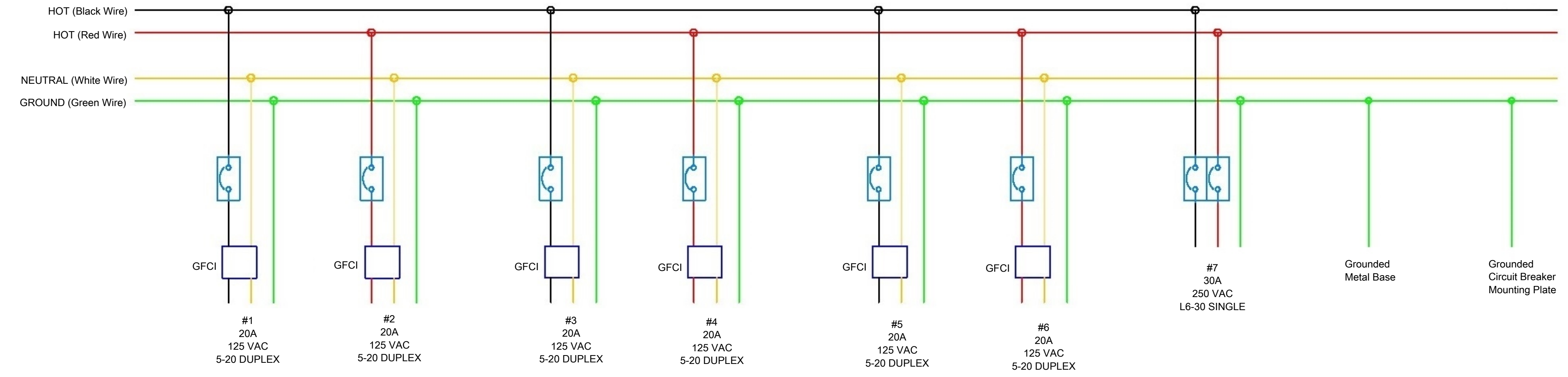
DIMENSION UNITS	SCALE	CURRENT REV	DESC: UPDATE QTY IN CHART
INCH	NTS		
GENERAL TOLERANCES (UNLESS SPECIFIED)			
ANGULAR TOL	±		
4 PLACES	±		
3 PLACES	±		
2 PLACES	±		
1 PLACE	±		
0 PLACES	±		
DRAFT WHERE APPLICABLE MUST REMAIN WITHIN DIMENSIONS		THIRD ANGLE PROJECTION	DRAWING SERIES
		C-SIZE	130138

molex			
PORTABLE PWR DIST BOX, 50A RATING IN:50A CALI LOCKING; OUT:(6)20A NEMA 5-20 & (1)30A NEMA L6-30			
PRODUCT CUSTOMER DRAWING			
DOCUMENT NUMBER		DOC TYPE	DOC PART
1301380126		PSD	000
MATERIAL NUMBER		CUSTOMER	SHEET NUMBER
SEE CHART			1 OF 2

DOCUMENT STATUS	P1	RELEASE DATE	2018/04/26	13:37:59

INPUT: California Style, 50A,
Single Phase (H,H,N,G),
125/250VAC, Panel Mount

FEED
THRU



#1
20A
125 VAC
5-20 DUPLEX

#2
20A
125 VAC
5-20 DUPLEX

#3
20A
125 VAC
5-20 DUPLEX

#4
20A
125 VAC
5-20 DUPLEX

#5
20A
125 VAC
5-20 DUPLEX

#6
20A
125 VAC
5-20 DUPLEX

#7
30A
250 VAC
L6-30 SINGLE

Grounded
Metal Base

Grounded
Circuit Breaker
Mounting Plate

THIS DRAWING CONTAINS INFORMATION THAT IS PROPRIETARY TO MOLEX ELECTRONIC TECHNOLOGIES, LLC AND SHOULD NOT BE USED WITHOUT WRITTEN PERMISSION

DIMENSION UNITS		SCALE		CURRENT REV DESC: UPDATE QTY IN CHART											
INCH		NTS													
GENERAL TOLERANCES (UNLESS SPECIFIED)				EC NO: 175572				PORTABLE PWR DIST BOX, 50A RATING IN:50A CALI LOCKING; OUT:(6)20A NEMA 5-20 & (1)30A NEMA L6-30							
ANGULAR TOL ± °				DRWN: WLEUNG 2018/04/25											
4 PLACES ±				CHK'D: DNGUYEN62 2018/04/25											
3 PLACES ±				APPR: BRUPERT 2018/04/26				PRODUCT CUSTOMER DRAWING							
2 PLACES ±				INITIAL REVISION:				DOCUMENT NUMBER		DOC TYPE		DOC PART		REVISION	
1 PLACE ±				DRWN: WLEUNG 2016/07/14				1301380126		PSD		000		E1	
0 PLACES ±				APPR: JFMURPHY 2017/02/18				SEE CHART		CUSTOMER				SHEET NUMBER	
DRAFT WHERE APPLICABLE MUST REMAIN WITHIN DIMENSIONS				THIRD ANGLE PROJECTION		DRAWING		SERIES		MATERIAL NUMBER		CUSTOMER		SHEET NUMBER	
						C-SIZE		130138		SEE CHART				2 OF 2	

DOCUMENT STATUS	P1	RELEASE DATE	2018/04/26	13:37:59
-----------------	----	--------------	------------	----------