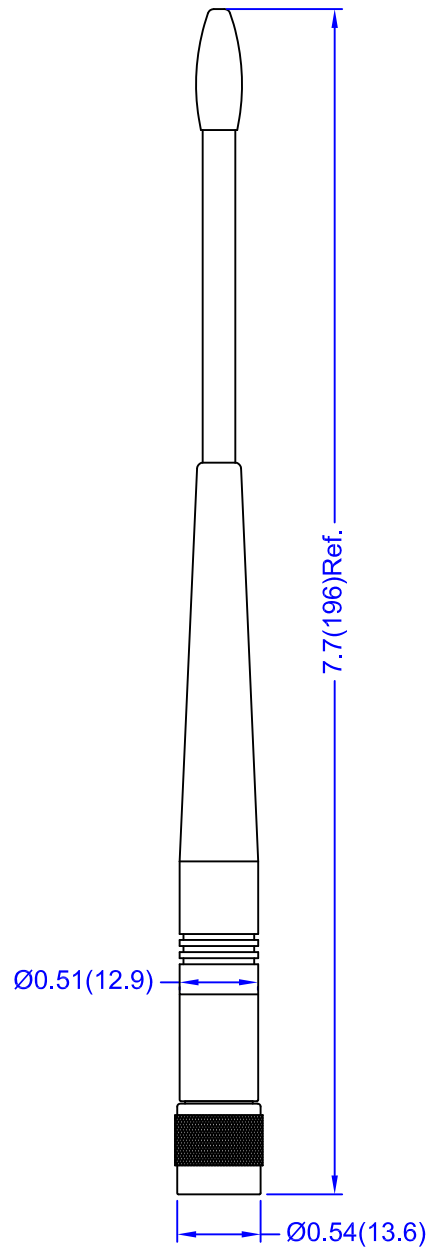


SMA type connector



TNC type connector

Electrical Properties:

Frequency Range: 902~928 MHz  
 Impedance: 50Ω nominal  
 VSWR: <2.0:1  
 Gain: 2.0 dBi  
 Radiation: Omni  
 Polarization: Vertical  
 Wave: Half Wave Dipole

Mechanical Properties:

Material:  
 Whip: Polyurethane(Black)  
 Connector: Brass with black chrome plating  
 Operation Temp.: -20°C to +65°C  
 Storage Temp.: -30°C to +75°C

This is a RoHS compliant product.

TITLE	900 MHz ISM Band Straight Antenna - 467 model		Rev. Date	SHEET
			04/23/13	1 of 2
UNIT	DWG. NO.	S467XX - 915		
in.(mm)				
SCALE				
none				

## Series Part Numbers

Connector Code -XX-	Description	P / N
AM	SMA Plug	S467AM-915
AH	SMA Plug Reverse Polarity	S467AH-915
TC	TNC	S467TC-915
TR	TNC Plug Reverse Polarity	S467TR-915
BC	BNC	S467BC-915
BR	BNC Plug Reverse Polarity	S467BR-915

## Connector Interface



SMA Plug  
(AM)



SMA Plug Reverse Polarity  
(AH)



TNC Plug  
(TC)



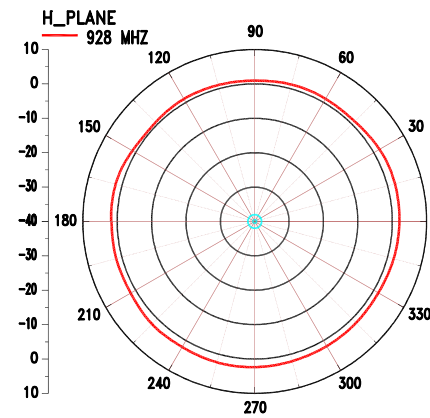
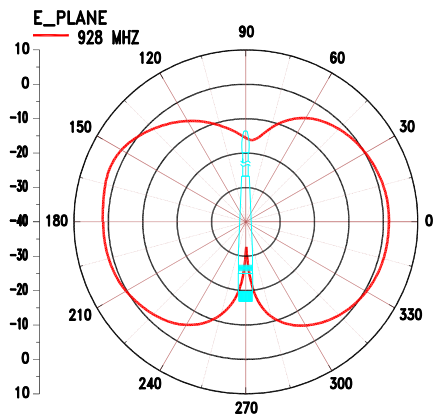
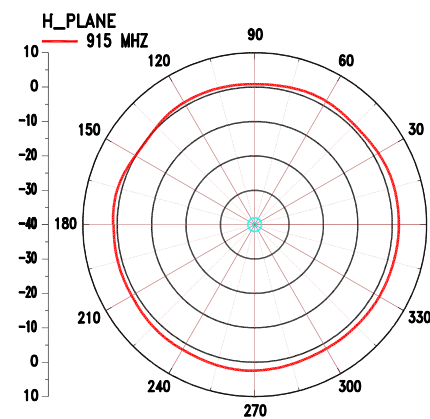
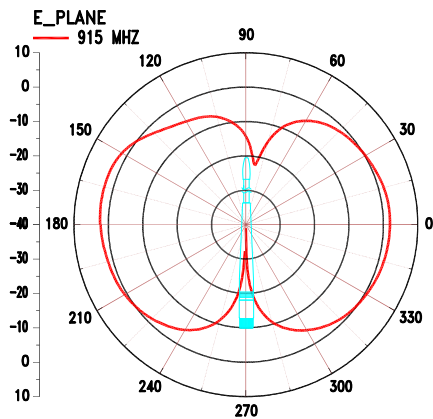
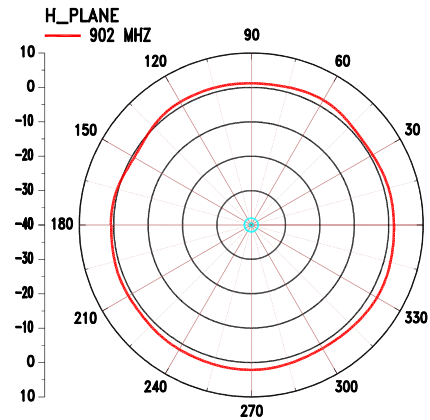
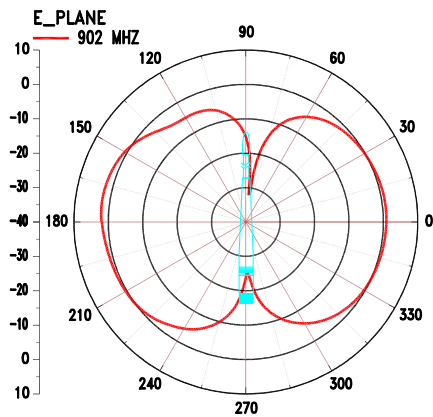
TNC Plug Reverse Polarity  
(TR)



BNC Plug  
(BC)



BNC Plug Reverse Polarity  
(BR)



TITLE	900 MHz ISM Band Straight Antenna - 467 model		Rev. Date	SHEET
UNIT	DWG. NO.	S467XX - 915		
in.(mm)				
SCALE				
none				