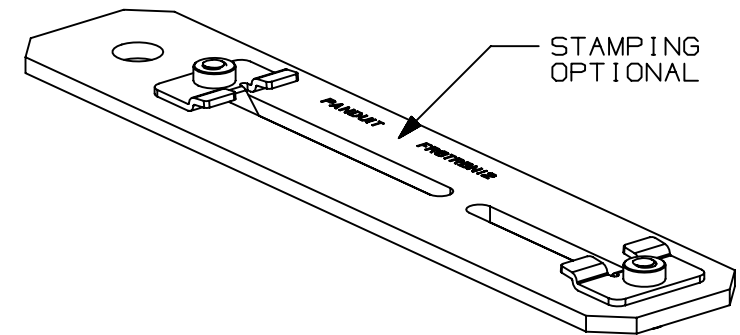
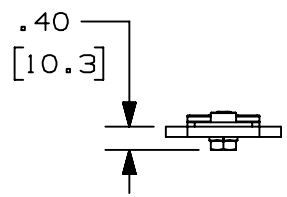
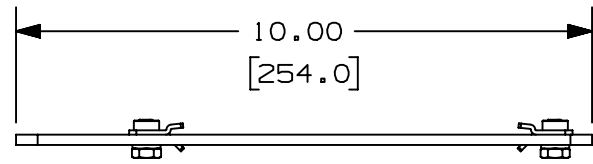
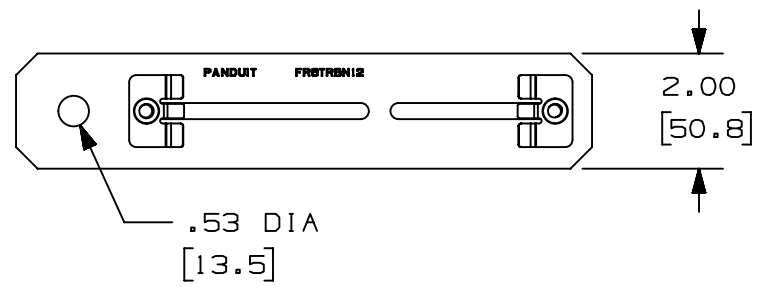


THIS COPY IS PROVIDED ON A RESTRICTED BASIS AND IS NOT TO BE USED IN ANY WAY DETRIMENTAL TO THE INTERESTS OF PANDUIT CORP.

PANDUIT PART NUMBER	WEIGHT
FR6TRBN12	1.11 LB/EACH
FR6TRBN12M	(504g/EACH)

NOTES:

1. SEE CURRENT CATALOG FOR ADDITIONAL PART SUFFIXES TO INDICATE PACKAGE QUANTITY.
2. THE FIBERRUNNER 4X4 AND 6X4 QUIKLOCK NEW THREADED ROD BRACKET IS USED TO SUPPORT THE FIBERRUNNER 4X4 AND/OR 6X4 CABLE ROUTING SYSTEMS FROM A SECTION OF NEW 1/2" (M12) THREADED ROD (NOT INCLUDED).
3. THE FIBERRUNNER 4X4 AND 6X4 QUIKLOCK NEW THREADED ROD BRACKET INCLUDES:
ONE (1) BRACKET ASSEMBLY,
TWO (2) 1/2 HELICAL SPRING LOCKWASHERS,
TWO (2) 1/2-13 HEAVY HEX NUTS (FR6TRBN12 ONLY),
TWO (2) M12x1.75 HEX NUTS (FR6TRBN12M ONLY)
4. FINISH COLOR: BLACK (EXCEPT HARDWARE)
5. DIMENSIONS IN PARENTHESES ARE IN METRIC.



ISO VIEW
SCALE 1:2

D10100DA/20

REV	DATE	BY	CHK	APR	DESCRIPTION	ECN
02C	9/17/19	MEX-JAGC	FWI	FWI	L. "STAMPING OPTIONAL" LABEL ADDED SEE PREVIOUS REVISION FOR HISTORY	V09002CN/07

TITLE FIBERRUNNER 4X4 AND 6X4 QUIKLOCK NEW THREADED ROD BRACKET 1/2" (M12) THREADED ROD CUSTOMER DRAWING					
ITEM REVISION NAME D37585BC/02			PANDUIT		
DATASET FILE NAME D37585BC_DC/02C					
DRAWING NUMBER: 37585-25					MATERIAL: N/A
THIRD ANGLE PROJECTION					
DRAWN BY MSO	DATE 5/11/00	CHK CVV	SCALE N/A	SHT 1 OF 1	
					SIZE A