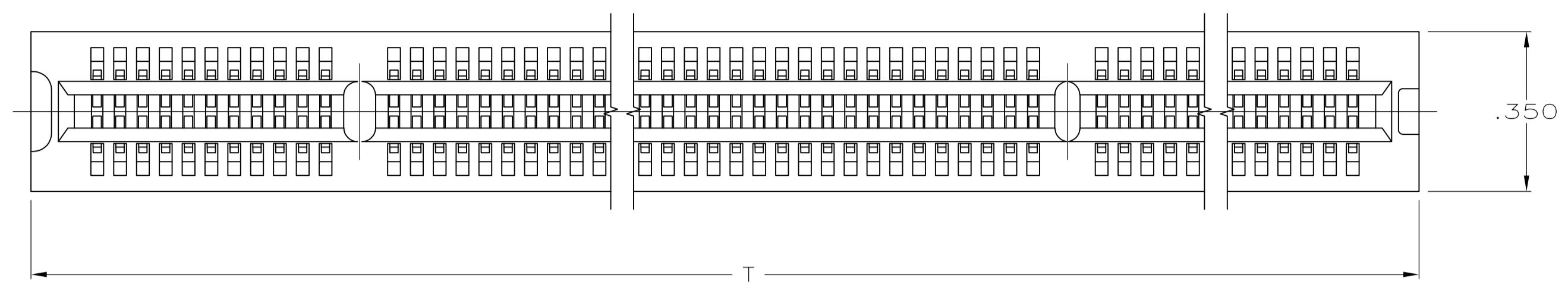
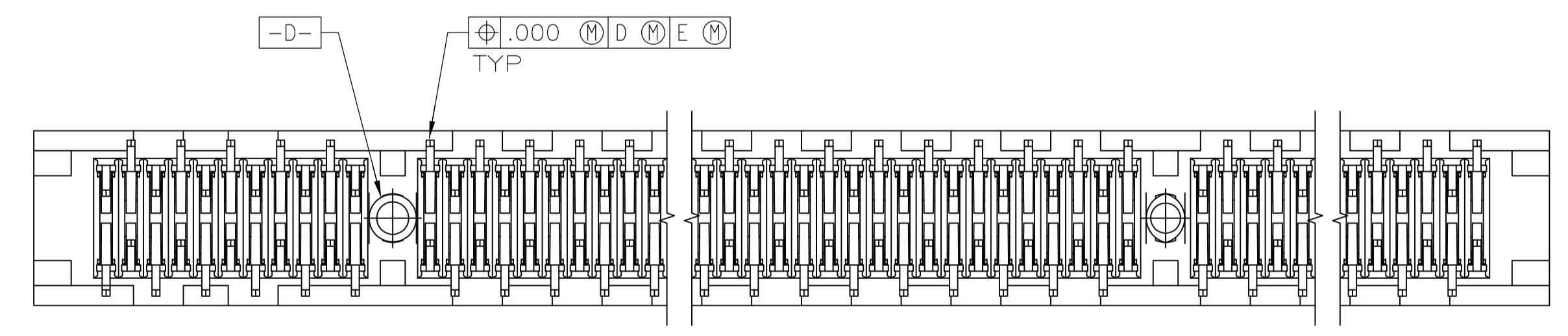
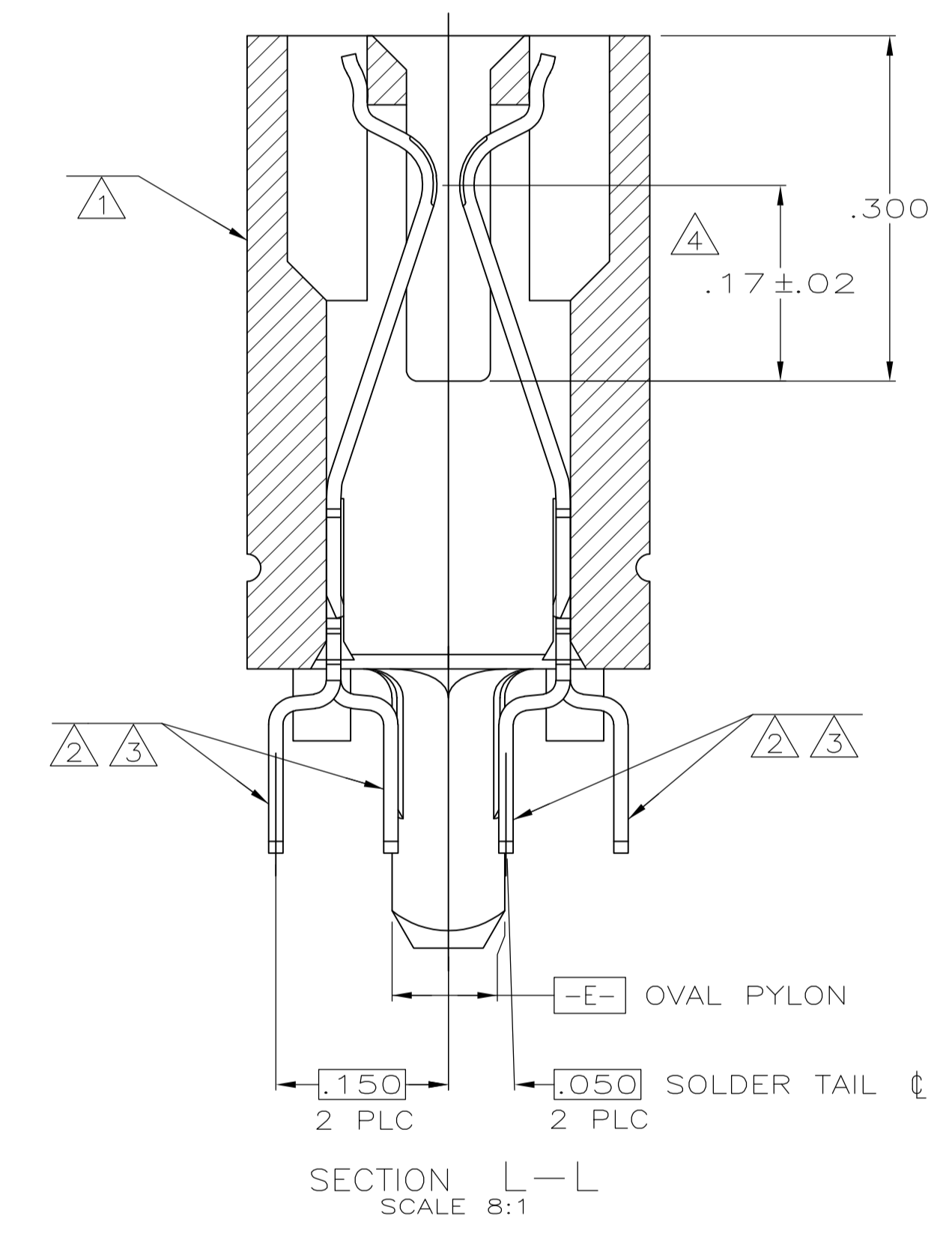
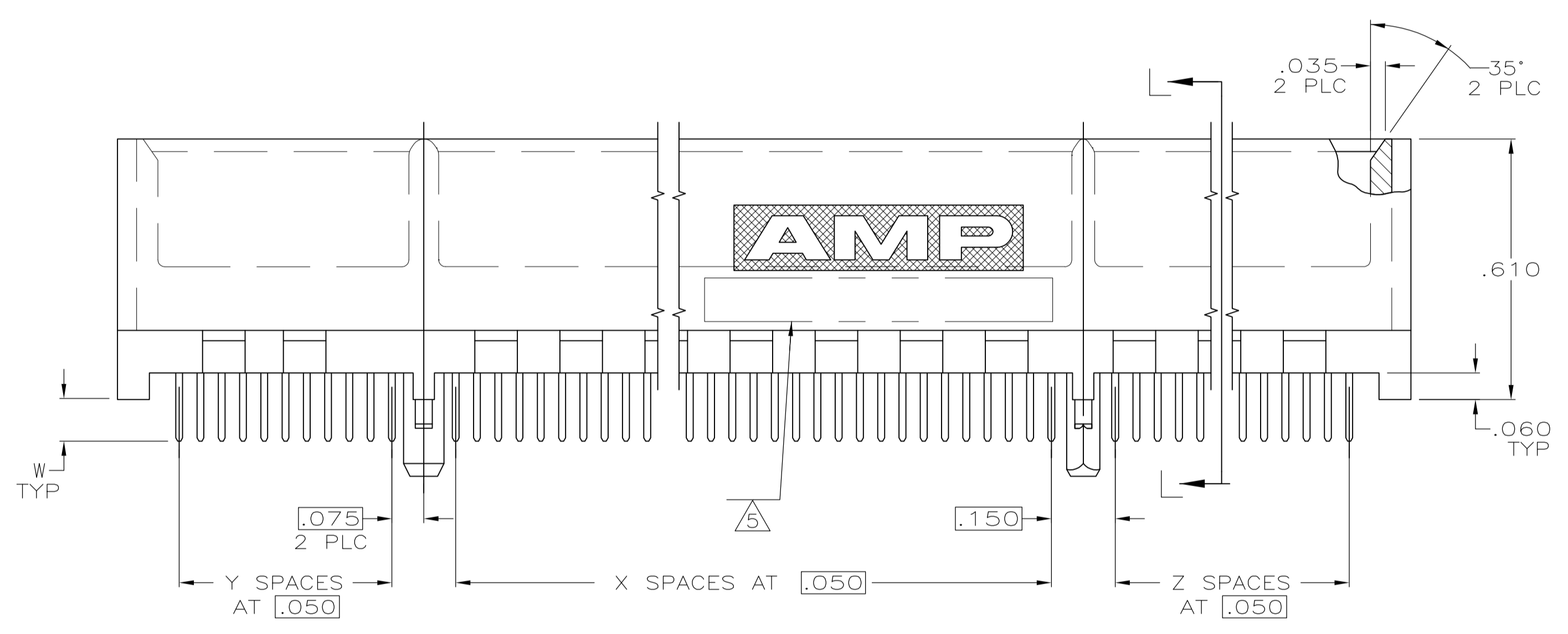


LOC		DIST		REVISIONS			
GP	00	REV	DATE	DESCRIPTION	DATE	BY	APPV
		0	05 AUG 05	RELEASED PER EC 0512-0287-05	05 AUG 05	AWF	AWF
		01	09NOV09	REVISED ECO-09-024927	09NOV09	KK	AEG



- ① HOUSING: HIGH TEMPERATURE THERMOPLASTIC. COLOR: BROWN.
- ② CONTACT: PHOSPHOR BRONZE.
- ③ CONTACT FINISH: .000100 MIN NICKEL ALL OVER.
.000030 MIN GOLD OVER NICKEL IN CONTACT AREA.
.000100 MIN MATTE TIN OVER NICKEL ON SOLDER TAILS.
- ④ DISTANCE FROM CONTACT POINT TO BOTTOM OF CARD SLOT.
- ⑤ AMP PART NUMBER, DATE CODE AND CSA LOGO MARKED IN APPROXIMATE AREA SHOWN.
- ⑥ OBSOLETE PARTS: OBSOLETE CIS STREAMLINING PER D.RENAUD/D.SINISI



SEE SHEET 2 FOR HOLE PATTERNS

OBSOLETE	HOLE PATTERN	DIMENSIONS										NO OF DUAL POSN	PART NUMBER
		A	C	C	A	A	A	A	A	A	A		
⑥	A	2.350	3.110	3.94	.610	13	10	44	.14	70	1-5650231-0		
	C	2.350	4.060	6.44	2.160	32	41	44	.14	120	-5650231-7		
	C	2.350	4.060	6.44	2.160	32	41	44	.10	120	-5650231-6		
	A	2.350	3.110	3.94	.610	13	10	44	.10	70	-5650231-5		
	A	2.350	5.610	6.44	.610	63	10	44	.10	120	-5650231-2		
A	2.350	5.610	6.44	.610	63	10	44	.14	120	5650231-1			

THIS DRAWING IS A CONTROLLED DOCUMENT.

AL FRANTUM 05 AUG 05
 AL FRANTUM 05 AUG 05

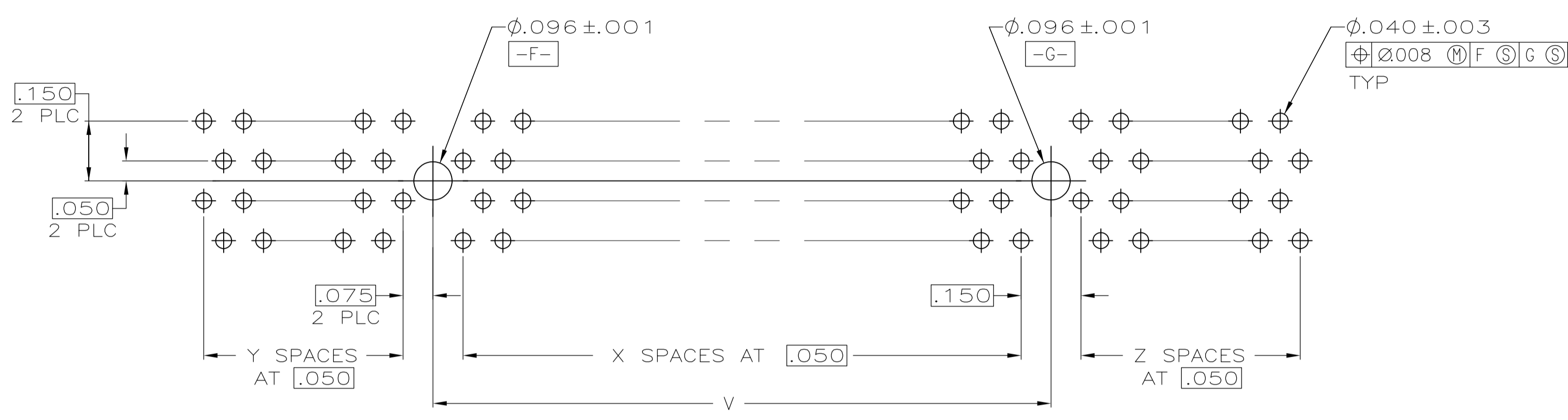
tyco Electronics
 Tyco Electronics Corporation
 Harrisburg, Pa 17105-3608

CONNECTOR ASSEMBLY,
 DUAL POSITION,
 .050 SERIES, STANDARD EDGE

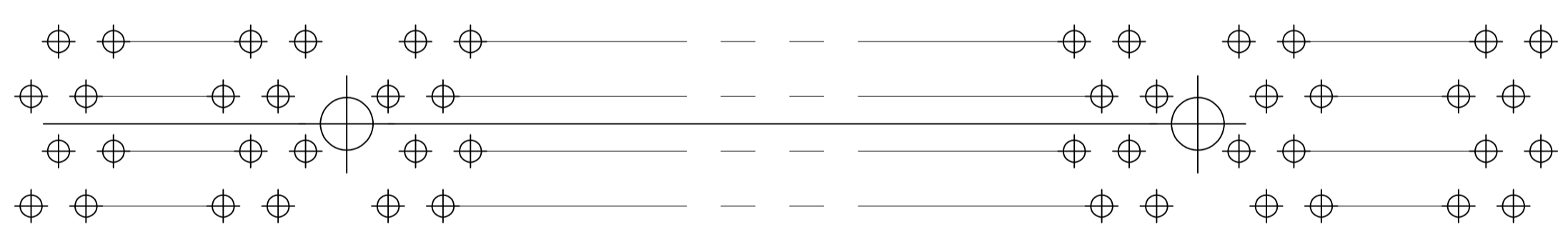
PRODUCT SPEC 108-14034
 APPLICATION SPEC 114-26012

SIZE A1
 CAGE CODE 00779
 DRAWING NO C=5650231

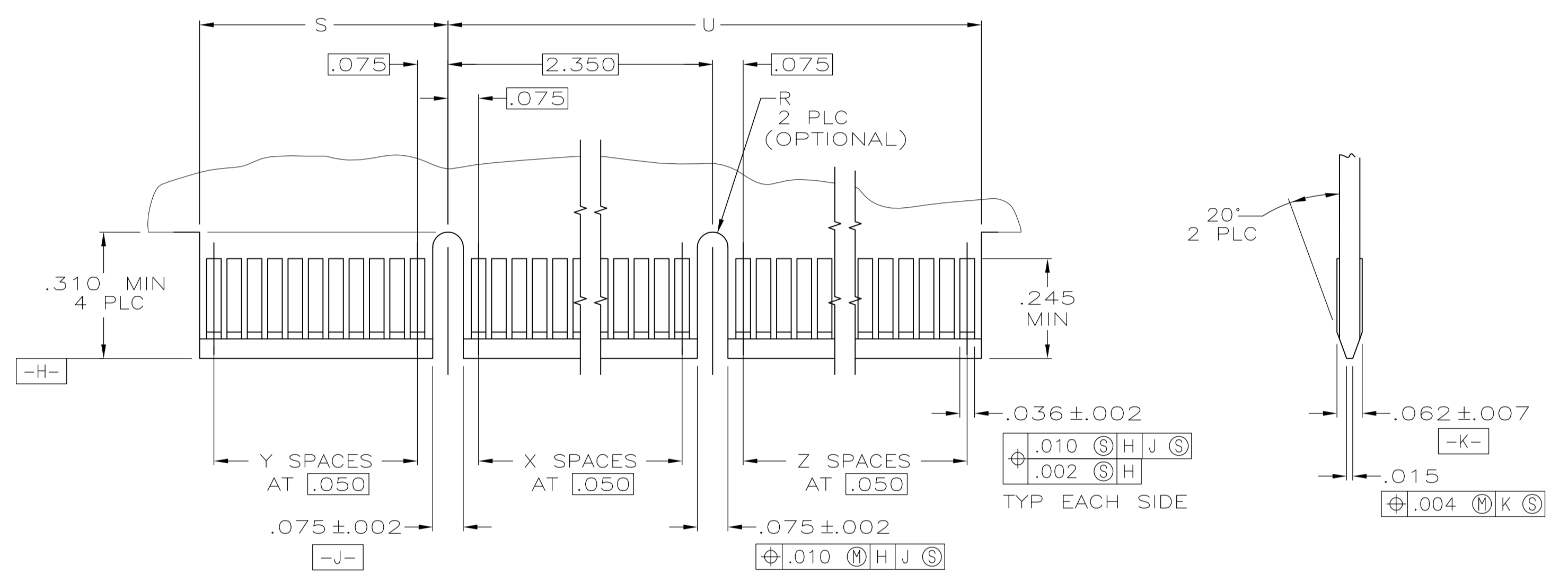
RESTRICTED TO
 CUSTOMER DRAWING SCALE 4:1 SHEET 1 OF 2 REV 01



RECOMMENDED CONNECTOR MOUNTING HOLE PATTERN A
 (CONNECTOR SIDE SHOWN)



RECOMMENDED CONNECTOR MOUNTING HOLE PATTERN C
 (CONNECTOR SIDE SHOWN)



RECOMMENDED MATING BOARD EDGE CONFIGURATION

THIS DRAWING IS A CONTROLLED DOCUMENT.		DWN AL FRANTUM 05 AUG 05 CHK AL FRANTUM 05 AUG 05 APVD	tyco Electronics Tyco Electronics Corporation Harrisburg, Pa 17105-3608
DIMENSIONS: INCHES 	TOLERANCES UNLESS OTHERWISE SPECIFIED: 0 PLC ± - 1 PLC ± - 2 PLC ± .01 3 PLC ± .005 4 PLC ± - ± Z ANGLES ± - Z	PRODUCT SPEC 108-14034 APPLICATION SPEC 114-26012	NAME: CONNECTOR ASSEMBLY, DUAL POSITION, .050 SERIES, STANDARD EDGE SIZE: A1 CAGE CODE: 00779 DRAWING NO: C=5650231 RESTRICTED TO: -
MATERIAL: SEE SHEET 1	FINISH: SEE SHEET 1	WEIGHT: CUSTOMER DRAWING	SCALE: 4:1 SHEET 2 OF 2 REV 01