

NOTES:

1. MATERIALS AND FINISHES:
 BODY - BRASS, GOLD PLATING.
 CONTACT - BeCu, GOLD PLATING.
 INSULATOR - PTFE, NATURAL
 NUT - STAINLESS STEEL, NICKEL PLATING

2. ELECTRICAL:
 A. IMPEDANCE: 75 OHM
 B. FREQUENCY RANGE: DC-18 GHz
 C. RETURN LOSS (VSWR): -25dB (1.12) MAX DC-6 GHz
 -20dB (1.22) MAX 6-12 GHz
 D. DIELECTRIC WITHSTANDING VOLTAGE: 1000 VRMS, MIN.

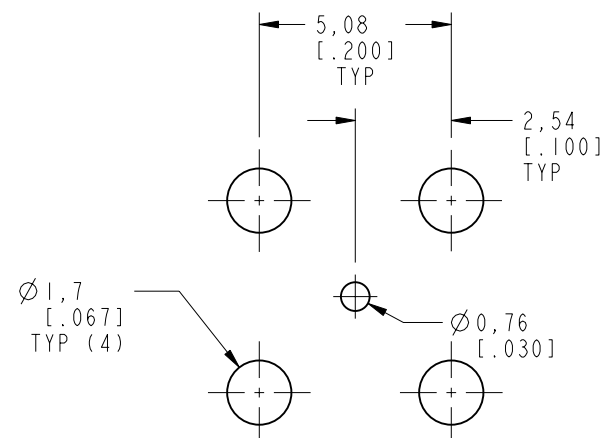
3. MECHANICAL:
 A. DURABILITY: 500 CYCLES MIN.
 B. TEMPERATURE RANGE: -65° C TO +165° C

4. PACKAGING:
 A. QUANTITY: SINGLE PACK
 B. MARKING: BAG TO BE MARKED:
 "AMPHENOL RF, 34-1028H-12G DATE CODE"

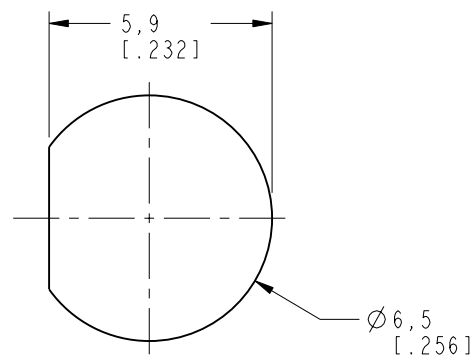
THIRD ANGLE PROJ.

REVISIONS

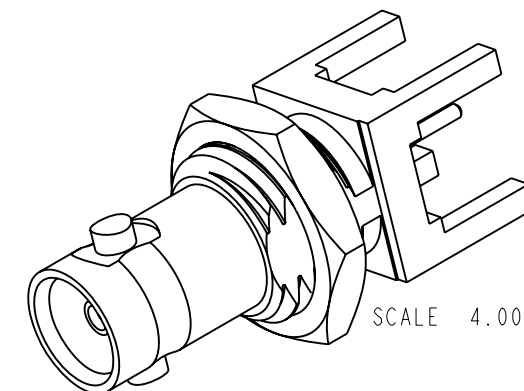
REV	DESCRIPTION	DATE	ECN	APPR
A	RELEASE TO MFG.	09-Apr-18	7181	RM



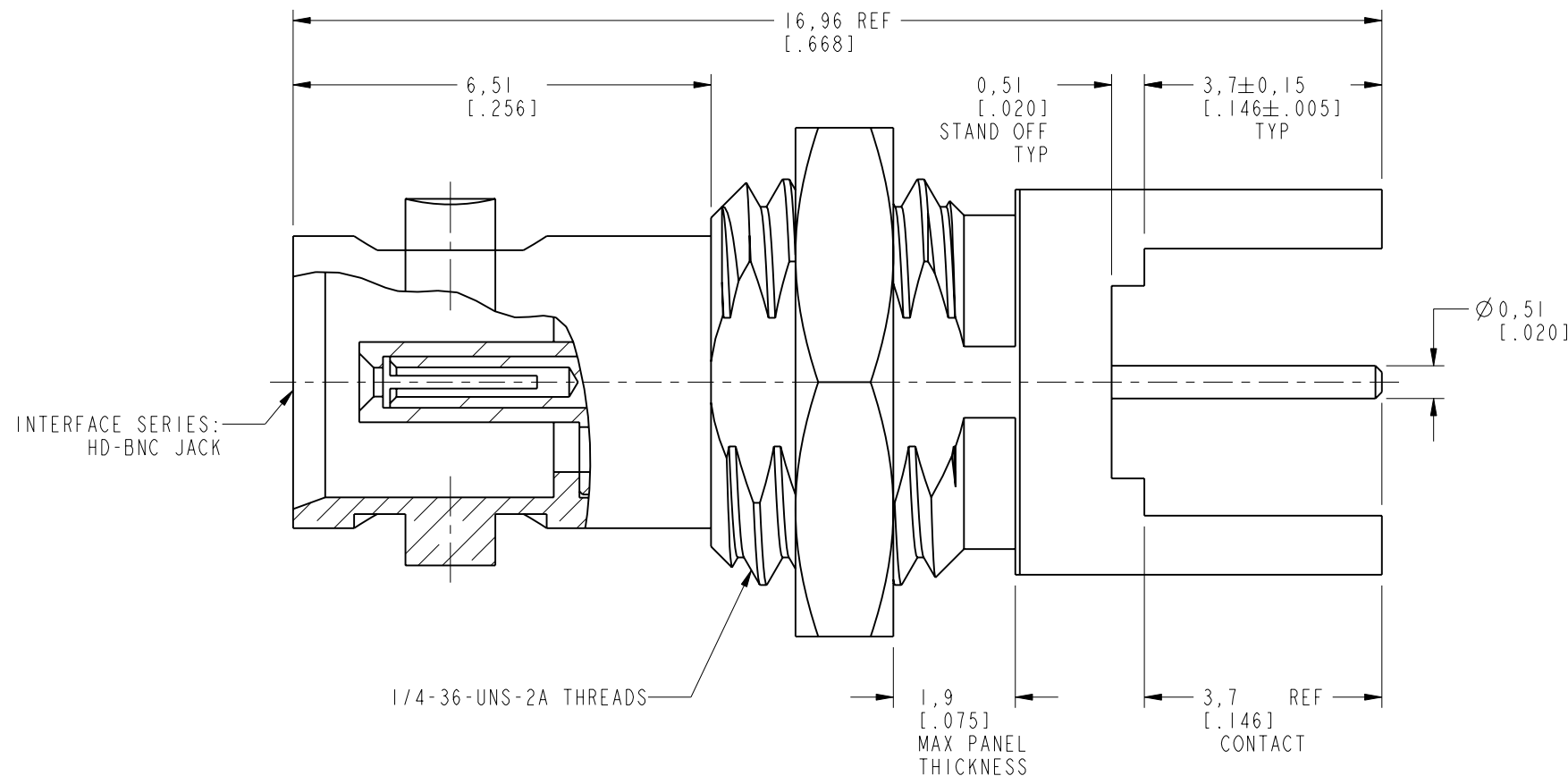
SCALE 5.000
 RECOMMENDED PCB MOUNTING HOLES



SCALE 5.000
 RECOMMENDED PANEL CUTOUT DIMENSIONS

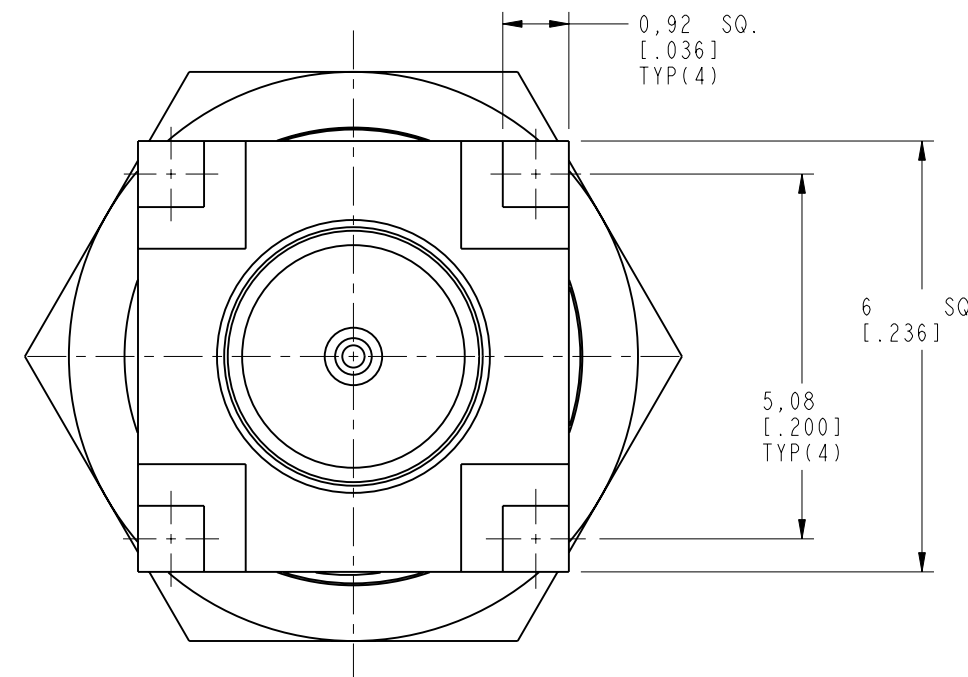


SCALE 4.000



INTERFACE SERIES:
 HD-BNC JACK

1/4-36-UNS-2A THREADS



CUSTOMER OUTLINE DRAWING
 ALL OTHER SHEETS ARE FOR INTERNAL USE ONLY

UNLESS OTHERWISE SPECIFIED, DIMENSIONS ARE IN METRIC AND TOLERANCES ARE:
 <0.5mm ±0.05mm 0.5 - 6mm ±0.1mm 6 - 30mm ±0.2mm 30 - 120mm ±0.3mm ANGLES ±1°

NOTICE - These drawings, specifications, or other data (1) are, and remain the property of Amphenol corp. (2) must be returned upon request; and (3) are confidential and not to be disclosed to any person other than those to whom they are given by Amphenol Corp. the furnishing of these drawings, specifications, or other data by Amphenol Corp., or to any other person to anyone for any purpose is not to be regarded by implication or otherwise in any manner licensing, granting rights to permitting such holder or any other person to manufacture, use or sell any product, process or design, patented or otherwise, that may in any way be related to or disclosed by said drawings, specifications, or other data.

MATERIAL	SEE NOTES	DRAWN	B. GREENBAUM	DATE	27-Nov-17	TITLE	HD-BNC STR BHD JACK RECEPTACLE THRU HOLE PCB	Amphenol RF www.amphenolrf.com
REFERENCE	EAR# 8093	ENGINEER	B. GREENBAUM	DATE	27-Nov-17			
CONFIGURATION LEVEL:	In Work	APPROVED	S. HSIEH	DATE	09-Apr-18	SCALE: 9.5:1.0	SHEET 2 OF 2	DRAWING NO. 34-1028H-12G
FINISH		CAD FILE				DWG SIZE	REV	ITEM NO. 34-1028H-12G
						B	A	PART NO. 34-1028H-12G